

(1.27 mm) .050"

**YFT SERIES**

# LOW PROFILE OPEN-PIN-FIELD TERMINAL

## SPECIFICATIONS

For complete specifications and recommended PCB layouts see [www.samtec.com?YFT](http://www.samtec.com?YFT)

**Insulator Material:**  
Black Liquid Crystal Polymer

**Terminal Material:**  
Brass

**Operating Temp Range:**  
-55 °C to +125 °C

**Plating:**  
Au over 50 μ" (1.27 μm) Ni

**Working Voltage:**  
275 VAC when mated with YFS

**Mated Cycles:**  
200 with YFS

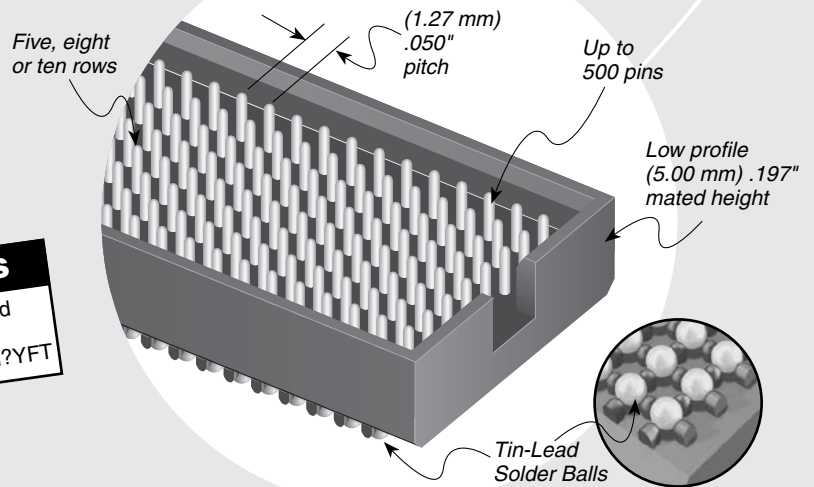
**RoHS Compliant:**  
No

**Lead-Free Solderable:**  
No

Mates with:  
YFS

## TEST RESULTS

Passed 20 year mixed flowing gas testing.  
Go to: [www.samtec.com?YFT](http://www.samtec.com?YFT)

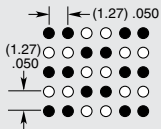


## RECOGNITIONS

For complete scope of recognitions see [www.samtec.com/quality](http://www.samtec.com/quality)



## DIFFERENTIAL APPLICATION



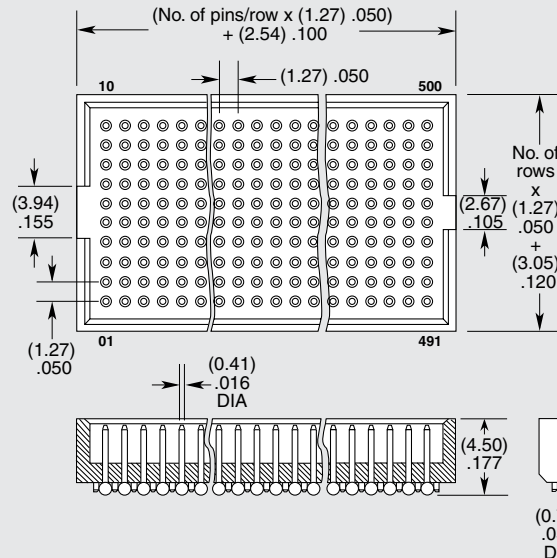
ARRAY	PAIR COUNT
50x10	125
40x10	100
30x10	75
20x10	50
20x8	40
20x5	25

## ALSO AVAILABLE (MOQ Required)

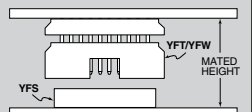
- 30, 40 & 50 positions in 5 & 8 rows
  - 3 & 6 rows
- Contact Samtec.

**Note:** Some sizes, styles and options are non-standard, non-returnable.

TYPE	NO. PINS PER ROW	05	PLATING OPTION	ROW OPTION	SB	OTHER OPTION
YFT = Header	-20 = -05, -08, and -10 row -30, -40, -50 = -10 row only		-H = 30 μ" (0.76 μm) Gold on post	-05 = Five Row -08 = Eight Row -10 = Ten Row		-K = Polyimide Film Pick & Place Pad -TR = Tape & Reel



## STACK HEIGHTS



HEADER/STACKER	MATED HEIGHT
YFT-05	(5.00) .197
YFW-07*	(7.00) .276
YFW-09*	(9.00) .354
YFW-12*	(12.00) .472
YFW-19*	(19.00) .748
YFW-25*	(25.00) .984

Processing conditions will affect mated height.  
\* See YFW Series for specifications