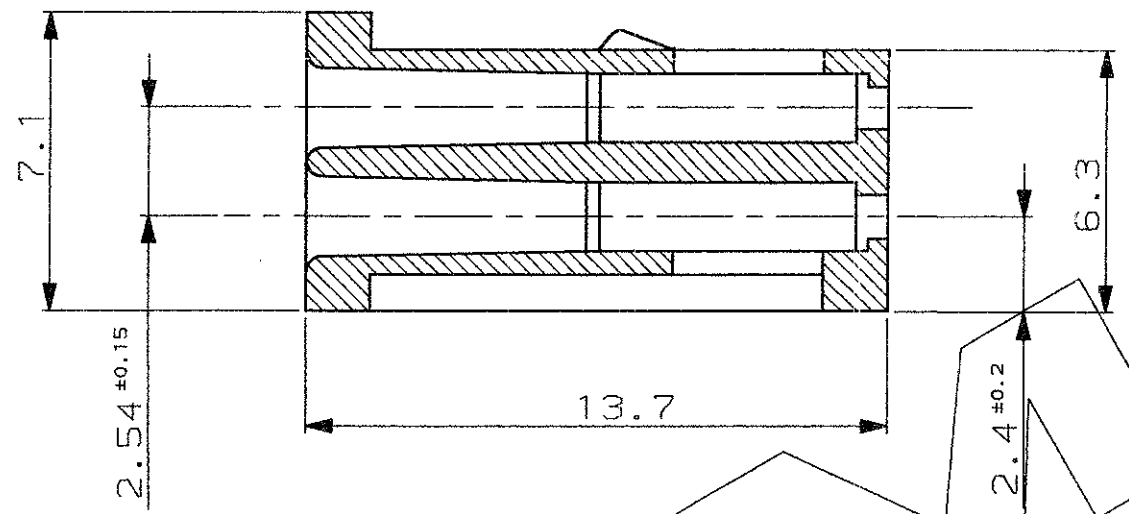
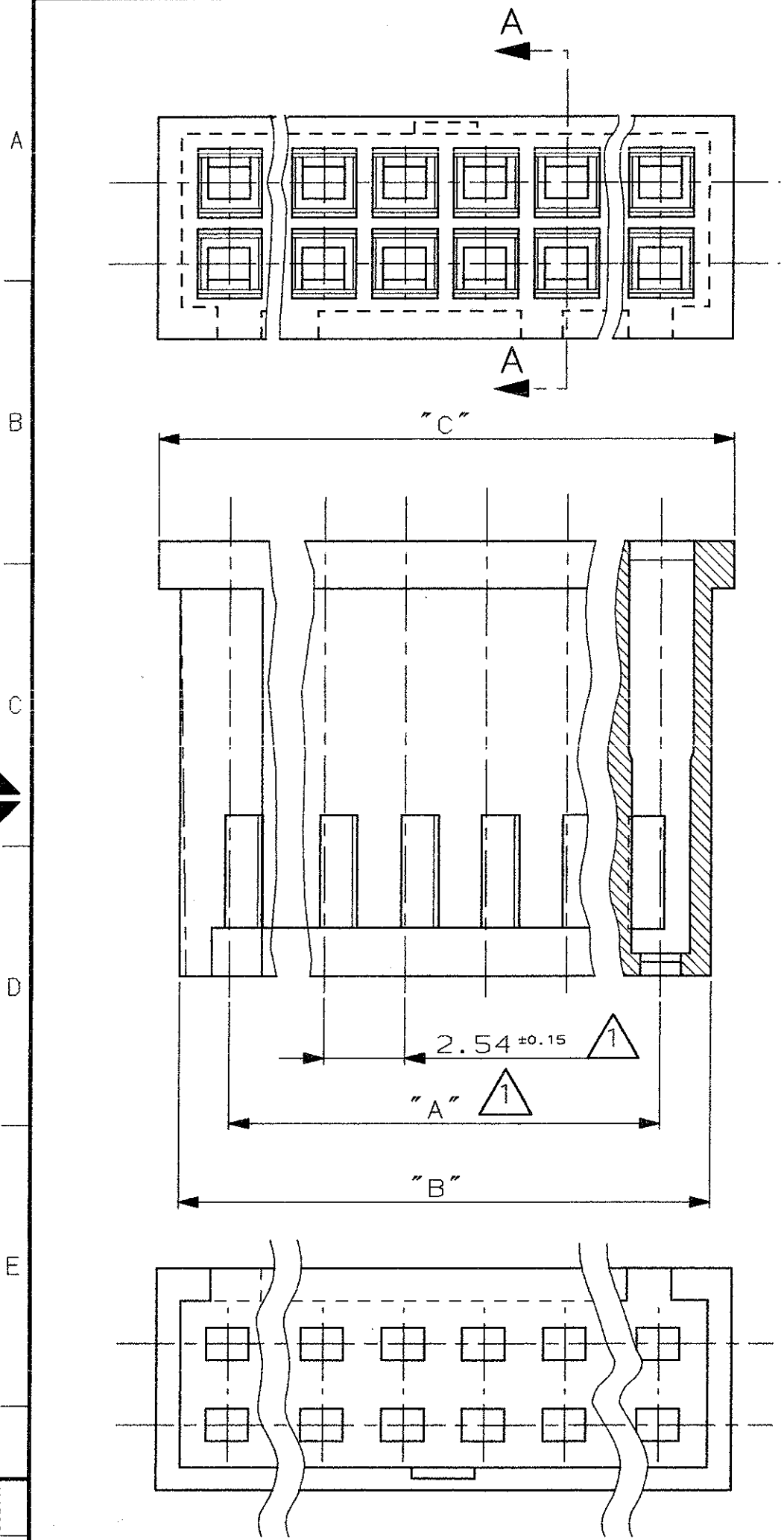


SECTION A-A

SCALA NON IMPEGNATIVA
(DO NOT SCALE)
DIMENSIONI IN mm
(DIMENSIONS IN mm)

METRIC

PROIEZIONE AMERICANA
(THIRD ANGLE PROJECTION)



△ 1 Tolleranza non cumulativa
(Non-cumulative tolerance)

Nr. Pos.	Part Number	Dim "A"	Dim "B"	Dim "C"
5	284123-1	10.16	13.2	14.7
22	280369	53.34	56.4	57.9
8	281018	43.18	46.2	47.8
15	280368	35.56	38.6	40.1
12	280515	27.94	31	32.5
9	280513	20.32	23.3	24.9
8	280366	17.78	20.8	22.3
6	282792-1	12.7	15.7	17.2
4	280365	7.62	10.6	12.2

CUSTOMER DRAWING FOR REFERENCE ONLY / DISEGNO PER CLIENTE SOLO PER RIFERIMENTO

THIS DRAWING IS UNPUBLISHED / RELEASE FOR PUBLICATION 19

© COPYRIGHT 19 BY AMP INCORPORATED, HARRISBURG, PA. ALL INTERNATIONAL RIGHT RESERVED. AMP PRODUCTS MAY BE COVERED BY U.S. AND FOREIGN PATENT AND/OR PATENT PENDING

TOLLERANZE, SE NON DIVERSAMENTE SPECIFICATO / MATERIALI (MATERIALS) SCALA (SCALE)
NORYL (UL94-V1) Colore nero (Black colour)

AMP AMP ITALIA S.p.A. Corso F.lli Cervi, 15 COLLEGGNO (TORINO)

DESCRIZIONE (DESCRIPTION) AMPMODU Mod. II Rec. HSG, Double Row, Crimp Snap-in.

LOC. SIZE NUMERO (DWG NO) REV. FOGLIO (SHEET) I A3 C - 280365 Z 1 D1 (OF) 1

REVISIONI (REVISION RECORD) DIS. DATA (APP. DATE)

DISTRIBUZIONE (PRINT DIST.)