

Control interface unit

IC-KP-B7-V95



- Max. 4 read/write heads connectable
- Alternative 2 read/write heads and 2 trigger sensors can be connected
- LC display with background lightning
- Direct operation via 4 keys
- LED status indicator of bus communication and read/write heads

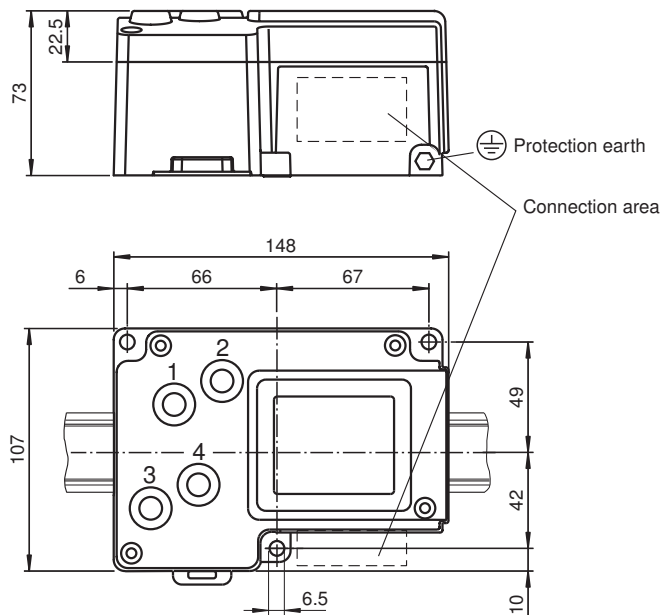
Control interface unit IDENTControl with DeviceNet interface



Function

The innovative concept of the RFID identification system IDENTControl from Pepperl+ Fuchs has many advantages in comparison to other systems. The core piece of the system is the evaluation unit IDENTControl. Thanks to the integrated interfaces for all standard field bus systems such as PROFIBUS, EtherNet, PROFINET IO, DeviceNet, serial connections (RS 232/RS 485/RS 422) and numerous connection options for inductive write/read heads as well as microwave antennas, the evaluation unit IDENTControl can be adjusted to your needs in a flexible and easy manner. LEDs indicate operating power and bus communication, connected write/read heads and active write/read commands. Mounting the unit onto DIN mounting rails is easy thanks to the snap-fits on the back of the housing of the evaluation unit IDENTControl. With its L-shaped housing, the evaluation unit including bus connector fits into a 120 mm grid in the switch cabinet. The mounting depth of 70 mm furthermore enables installation in flat switch boxes with a depth of only 100 mm. There are 3 further mounting holes for field mounting.

Dimensions



Release date: 2020-04-28 Date of issue: 2020-04-28 Filename: 130985_eng.pdf

Refer to "General Notes Relating to Pepperl+Fuchs Product Information".

Pepperl+Fuchs Group
www.pepperl-fuchs.com

USA: +1 330 486 0001
fa-info@us.pepperl-fuchs.com

Germany: +49 621 776 1111
fa-info@de.pepperl-fuchs.com

Singapore: +65 6779 9091
fa-info@sg.pepperl-fuchs.com

pf PEPPERL+FUCHS

Technical Data

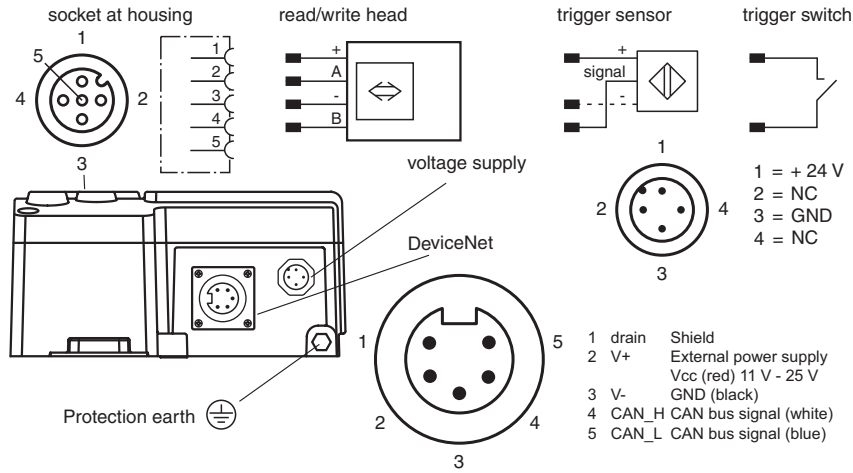
General specifications		
Number of read/write heads		max. 4 alternative 2 read/write heads and 2 trigger sensors
UL File Number		E87056
Indicators/operating means		
LEDs 1, 2, 3, 4		Status indicator for read/write heads green: command at read/write head active yellow: approx. 1 second long, if command was successfully executed
LED PWR/ERR		green: power on red: Hardware fault
LED Module Status		green: normal operation red flashing: recoverable fault red: unrecoverable fault red/green flashing: LED test
LED Network Status		green: on-line, connected green flashing: on-line, not connected red: critical link failure red flashing: connection timeout red/green flashing: LED test
LED Network Pwr		green flashing at startup: LED test green: network power available
LED COM		yellow flashing at startup: LED test yellow: data exchange
LC display		two-line multi-function display with 12 characters per line configuration of the control interface and display of connected read/write heads as additional pictograms; easy and direct selection of operating commands and addressing
Button		4 keys: ESC, up, down and return
Electrical specifications		
Rated operating voltage	U_e	20 ... 30 V DC, PELV
Ripple		≤ 10 % at 30 V DC
Current consumption		≤ 2 A incl. read/write heads
Power consumption	P_0	2.5 W Without read/write heads
Network voltage		11 ... 25 V DC, PELV
Network current consumption		≤ 40 mA
Galvanic isolation		basic insulation acc. to DIN EN 50178, rated insulation voltage of 50 V _{eff}
Interface		
Physical		DeviceNet
Protocol		CIP
Transfer rate		125, 250, 500 kBit/s
Directive conformity		
Electromagnetic compatibility		
Directive 2014/30/EU		EN 61326-1
RoHS		
Directive 2011/65/EU (RoHS)		EN 50581
Standard conformity		
Degree of protection		IEC 60529
Ambient conditions		
Ambient temperature		-25 ... 70 °C (-13 ... 158 °F)
Storage temperature		-30 ... 80 °C (-22 ... 176 °F)
Climatic conditions		air humidity max. 96 %
Shock and impact resistance		Oscillation (Sine): 5 g, 10 - 1000 Hz to EN 60068-2-6 Shock (Half-sine): 30 g, 11 ms in accordance with EN 60068-2-27
Mechanical specifications		
Degree of protection		IP67
Connection		Read/write heads: shielded, 4-pin, M12 connector Power supply: M12 connector Protective earth: M6 earthing screw DeviceNet: Mini-Style
Material		
Housing		powder coated aluminum

Release date: 2020-04-28 Date of issue: 2020-04-28 Filename: 130985_eng.pdf

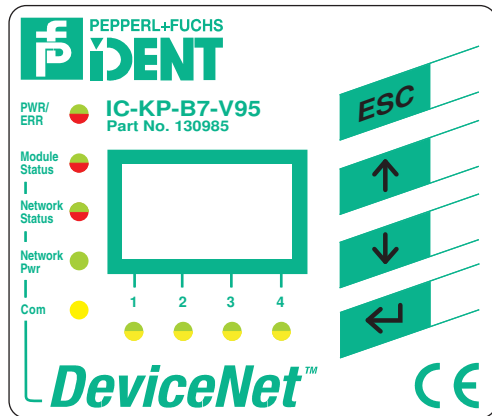
Technical Data

Installation	snap-on to 35 mm standard rail or screw fixing
Mass	approx. 1000 g

Connection



Assembly



Accessories

	V1-G-2M-PUR-ABG-V1-W	Connecting cable, M12 to M12, PUR cable 4-pin, shielded
	V1-G-5M-PUR-ABG-V1-W	Connecting cable, M12 to M12, PUR cable 4-pin, shielded
	V1-G-10M-PUR-ABG-V1-W	Connecting cable, M12 to M12, PUR cable 4-pin, shielded
	V1-G-5M-PUR	Female cordset, M12, 4-pin, PUR cable

Release date: 2020-04-28 Date of issue: 2020-04-28 Filename: 130985_eng.pdf

Refer to "General Notes Relating to Pepperl+Fuchs Product Information".