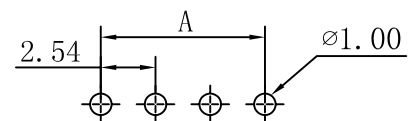
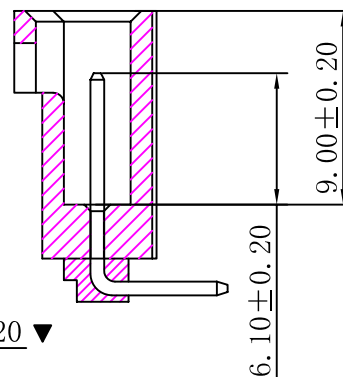
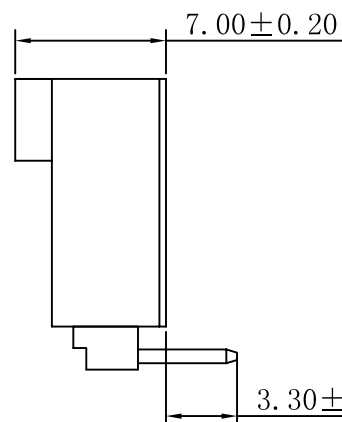
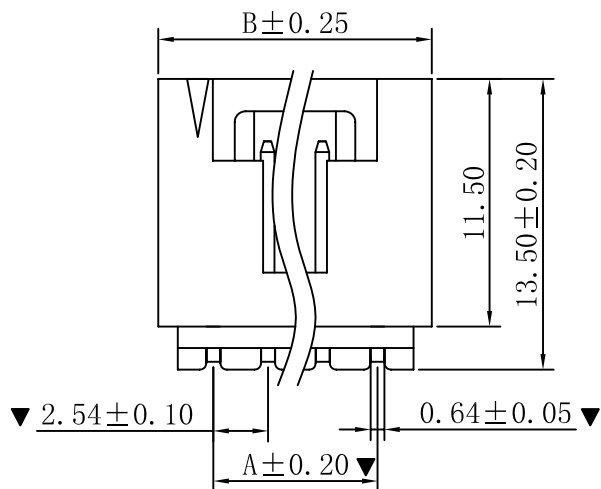


■ SPECIFICATIONS

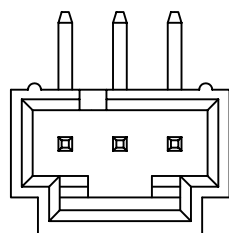
- Voltage rating: 250V AC, DC
- Current rating: 5A, AC, DC
- Withstanding Voltage: 1500V AC/minute
- Insulation resistance: 1000MΩ min
- Temperature range: -25° C~+85° C
- Contact resistance: 20mΩ max

■ WAFER

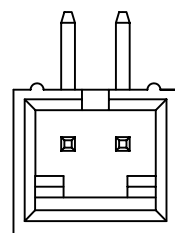
- Poles : 02-20P
- Housing Material: Nylon66 15%GF UL94V-0 Black
- Pin Material: Brass
- Contact Area Plating: Gold-Flash
- The Dimension Marked "▼" Must Be Recorded



P. C. B LAYOUT



3 CIRCUIT



2 CIRCUIT

Part No.	Dimension (mm)	
	A	B
02	2.54	7.62
03	5.08	10.16
04	7.62	12.70
05	10.16	15.24
06	12.70	17.78
07	15.24	20.32
08	17.78	22.86
09	20.32	25.40
10	22.86	27.94
11	25.40	30.48
12	27.94	33.02
13	30.48	35.56
14	33.02	38.10
15	35.56	40.64
16	38.10	43.18
17	40.64	45.72
18	43.18	48.26
19	45.72	50.80
20	48.26	53.34

TOLERANCE UNLESS OTHERWISE				DRAWN	CK	tan
X.	±0.30	X°	±5°	CHKD		
.X	±0.20	.X°	±2°	APPD		
.XX	±0.08	.XX°	±1°	VIEW	⊕	⊖
.XXX	±0.03	.XXX°	±0.5°			

**XFCN**兴飞连接器有限公司  
CONNECTORS XFCN CONNECTORS CO., LTD.

PRODUCT NAME 2.54mm Crimp Style Connectors

PART. NO. M2553R-XX-BK

SHEET	1/1
DATE	2010. 4. 12
UNITS	mm
SCALE	1:1
DWG. NO.	009

A0  
VER

MODIFICATION

DRAW

DATE