

# Surface Mount Low Power Push-Pull Transformers

## EPC3126G-X



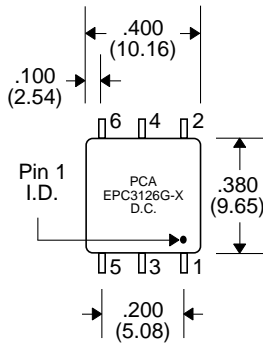
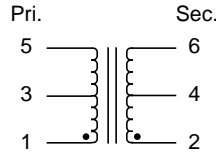
- Designed for use with Maxim Max 253/845
- Operating Temperature : -40°C to +85°C
- UL1446 Class F Insulating System
- UL94-V0 Recognized Materials
- Teflon FEP insulation
- Up to 1 Watt

### Electrical Parameters @ 25° C

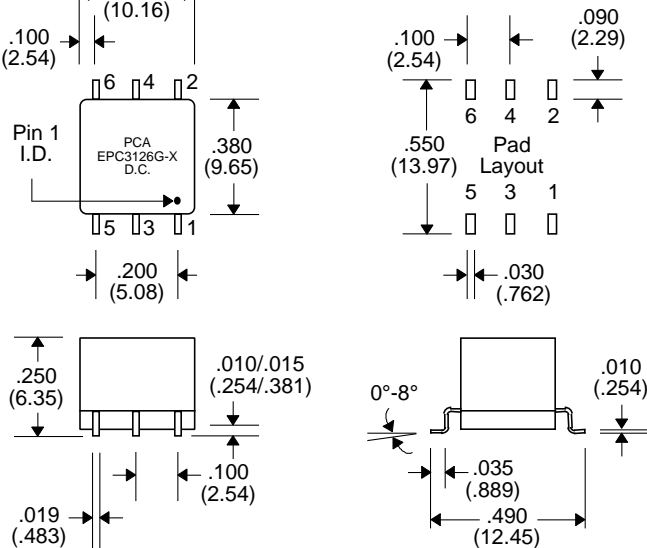
| PCA Part Number | Voltage (V) |       | Primary OCL (µH Typ.) | Turns Ratio (Pri. to Sec.) | ET (V-µSec.) | Duty Cycle (%) | Rectification (Half or Full Wave) |
|-----------------|-------------|-------|-----------------------|----------------------------|--------------|----------------|-----------------------------------|
|                 | V in        | V out |                       |                            |              |                |                                   |
|                 |             |       | @ 100 KHz, 0.1 Vrms   |                            | @ 350 KHz    |                | Connections                       |
| EPC3126G-1      | 5           | 15    | 793                   | 1CT:2CT                    | 11           | 75             | Voltage Doubler                   |
| EPC3126G-2      | 3.3         | 5     | 793                   | 1CT:2CT                    | 11           | 75             | † Output Center Tap               |
|                 | 5           | 5     | 793                   | 1CT:1.3CT                  | 11           | 75             | † Output Center Tap               |
| EPC3126G-3      | 5           | 10    | 793                   | 1CT:1.3CT                  | 11           | 75             | Voltage Doubler                   |
| EPC3126G-4      | 5           | 10    | 793                   | 1CT:2.6CT                  | 11           | 77             | † Output Center Tap               |
| EPC3126G-5      | 5           | 12    | 793                   | 1CT:3CT                    | 11           | 80             | † Output Center Tap               |
|                 | 5           | 24    | 793                   | 1CT:3CT                    | 11           | 80             | Voltage Doubler                   |
| EPC3126G-6      | 3.3         | 5     | 793                   | 1CT:1CT                    | 11           | 75             | Voltage Doubler                   |
| EPC3126G-7      | 5           | 5     | 793                   | 1CT:0.6CT                  | 11           | 83             | Voltage Doubler                   |
| EPC3126G-7      | 5           | 12    | 793                   | 1CT:1.5CT                  | 11           | 80             | Voltage Doubler                   |

- **Switching Frequency** : 250 KHz - 1 MHz
- **Isolation** : 4500 Vrms (1 minute)
- **† Connections** : Output Center Tap as Common/Return

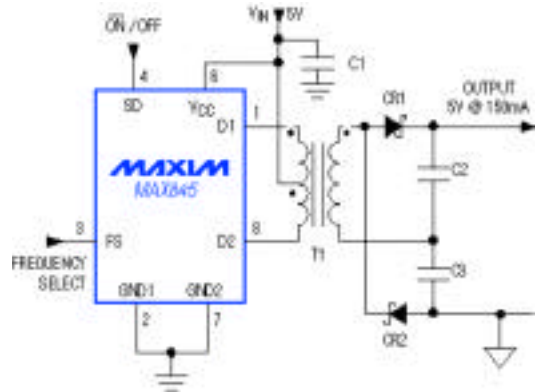
### Schematic



### Package



### Application



Unless Otherwise Specified Dimensions are in Inches /mm ± .010 / .25