

# Common Mode Choke Coil

ACM-0603



RoHS/RoHS II Compliant



1.60 x 0.85 x 1.10mm

## FEATURES:

- These low profile design to save PCB space
- Very low DC resistance
- Wide impedance range from 22ohm to 250ohm

## APPLICATIONS:

- Elimination of common mode noise in high-speed, differential mode signal transmission applications such as USB 2.0, IEEE1394 and LVDS.

## STANDARD SPECIFICATIONS

Abracon P/N:	ACM-0603
Operating Temperature	-40°C to +85°C
Storage Temperature	-10°C to +40°C, 70% RH max. in tape and reel

Part Number ACM-0603- Impedance Code	Common Mode Impedance @100MHz	DCR	Rated Current	Rated Voltage	Withstanding Voltage	Insulation Resistance
Units	$\Omega \pm 25\%$	$\Omega$ (max.)	mA	Vdc	Vdc	M $\Omega$ (min.)
ACM-0603-220	22	0.080	500	50	125	10
ACM-0603-450	45	0.110	500	50	125	10
ACM-0603-900	90	0.145	500	50	125	10
ACM-0603-121	120	0.175	500	50	125	10
ACM-0603-181	180	0.210	500	50	125	10
ACM-0603-251	250	0.280	400	50	125	10

## Test Conditions

1. Inductance is measured in HP4287A at frequency of 100MHz
2. Rated Current: For 15°C rise in temperature

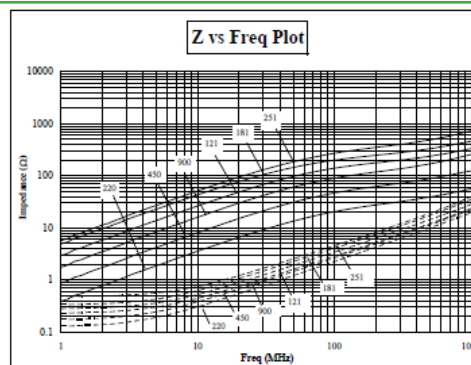
## PART IDENTIFICATION:

ACM-0603-  -

Impedance Code  
Please refer to the Table

Packaging  
T: 2kpcs/reel

## ELECTRICAL CHARACTERISTIC CURVES



Solid Line: Common Mode  
Dotted Line: Differential Mode

ABRACON IS  
ISO 9001:2008  
CERTIFIED



Visit [www.abracon.com](http://www.abracon.com) for Terms & Conditions of Sale  
30332 Esperanza, Rancho Santa Margarita, California 92688  
tel 949-546-8000 | fax 949-546-8001 | [www.abracon.com](http://www.abracon.com)

Revised: 10.14.13

# Common Mode Choke Coil

ACM-0603



RoHS/RoHS II Compliant



1.60 x 0.85 x 1.10mm

## TEST CIRCUIT:

Parameter	Terminal to be tested
Common Mode Impedance	
Withstanding Voltage	
DC Resistance	
Rated Current	
Insulation Resistance	

## OUTLINE DIMENSIONS:



Remark : : Electrode  
( ) : Reference Value

## Recommended Land Pattern



## Schematic



## Material Structure



Termination: Ag followed by Nickel, then gold plating.

# Common Mode Choke Coil

ACM-0603

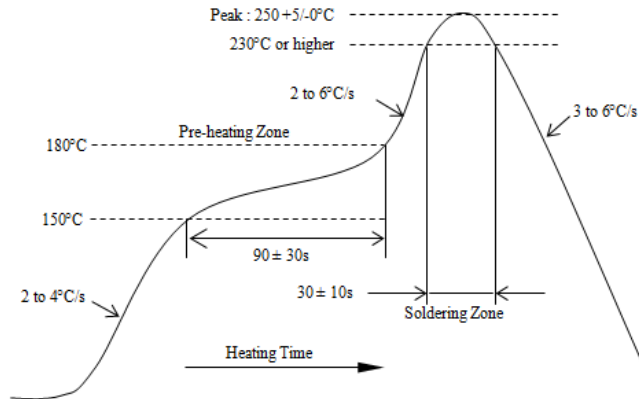


RoHS/RoHS II Compliant



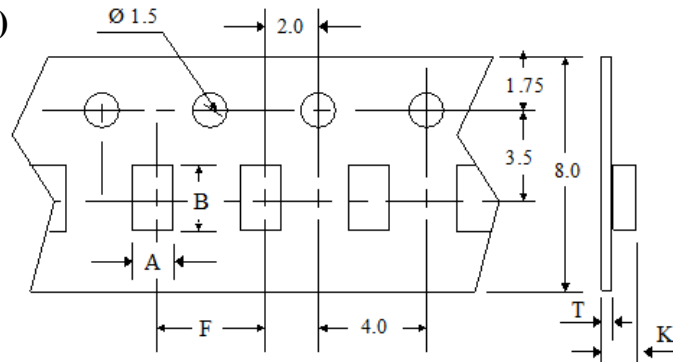
1.60 x 0.85 x 1.10mm

## REFLOW PROFILE:



## TAPE & REEL:

T= tape and reel (2,000pcs/reel)



A	B	F	K	T
1.05±0.10	1.85±0.10	4.00±0.10	1.15±0.10	0.23±0.10



Dimension: mm

**ATTENTION:** Abracon Corporation's products are COTS – Commercial-Off-The-Shelf products; suitable for Commercial, Industrial and, where designated, Automotive Applications. Abracon's products are not specifically designed for Military, Aviation, Aerospace, Life-dependant Medical applications or any application requiring high reliability where component failure could result in loss of life and/or property. For applications requiring high reliability and/or presenting an extreme operating environment, written consent and authorization from Abracon Corporation is required. Please contact Abracon Corporation for more information.

ABRACON IS  
ISO 9001:2008  
CERTIFIED



Visit [www.abracon.com](http://www.abracon.com) for Terms & Conditions of Sale **Revised: 10.14.13**  
30332 Esperanza, Rancho Santa Margarita, California 92688  
tel 949-546-8000 | fax 949-546-8001 | [www.abracon.com](http://www.abracon.com)