
1000BASE-T Copper SFP Transceiver

PART NUMBER: SFPT-RJK-01

PRODUCT FEATURES

- Up to 1.25 Gb/s bi-directional data links
- Hot-pluggable SFP footprint
- Low power dissipation(1.05W typical)
- Compact RJ-45 connector assembly
- Fully metal enclosure, for lower EMI
- RoHS compliant and lead-free
- Single +3.3V power supply
- 1.25 Gigabit Ethernet over Cat 5 cable
- Case operating temperature: 0°C to +70°C

PRODUCT DESCRIPTION

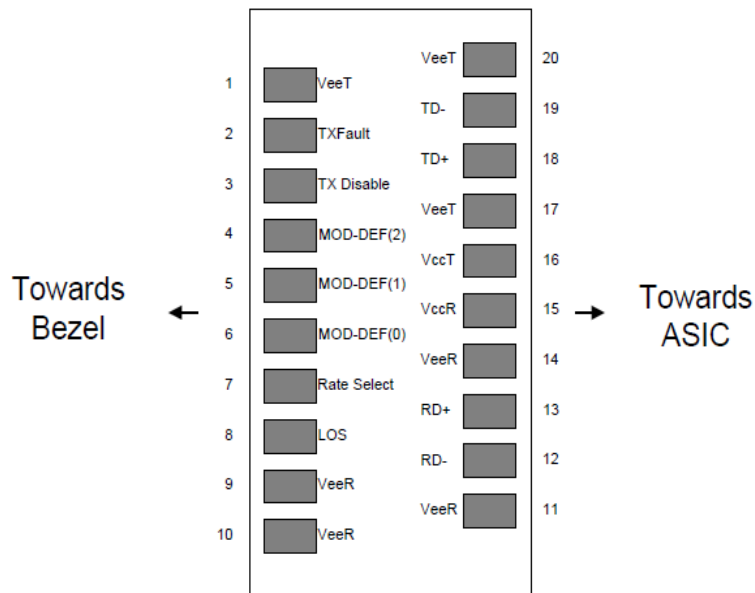
1000BASE-T Copper Small Form Pluggable (SFP) transceivers are based on the SFP Multi Source Agreement (MSA). They are compatible with the Gigabit Ethernet and 1000BASE-T standards as specified in IEEE 802.3. The 1000BASE-T physical layer IC (PHY) can be accessed via I2C, allowing access to all PHY settings and features.

This transceiver uses the RX_LOS pin for link indication, and 1000BASE-X auto-negotiation should be disabled on the host system.

| PART NUMBER | <u>DFTO</u> | <u>DATE</u> | <u>REVISION</u> | <u>SHEET NO</u> |
|-------------|-------------|-------------|-----------------|-----------------|
| SFPT-RJK-01 | VICTOR | 11/7/2014 | 0 | 1 OF 7 |

1000BASE-T Copper SFP Transceiver

I. SFP to Host Connector Pin Out



| PART NUMBER | DFTO | DATE | REVISION | SHEET NO |
|-------------|--------|-----------|----------|----------|
| SFPT-RJK-01 | VICTOR | 11/7/2014 | 0 | 2 OF 7 |

1000BASE-T Copper SFP Transceiver

Figure 1. Diagram of host board connector block pin numbers and names

| Pin | Symbol | Name/Description | NOTE |
|-----|-------------|--|------|
| 1 | VEET | Transmitter Ground (Common with Receiver Ground) | 1 |
| 2 | TFAULT | Transmitter Fault. Not supported. | |
| 3 | TDIS | Transmitter Disable. Not supported. | |
| 4 | MOD_DEF(2) | Module Definition 2. Data line for Serial ID. | 2 |
| 5 | MOD_DEF(1) | Module Definition 1. Clock line for Serial ID. | 2 |
| 6 | MOD_DEF(0) | Module Definition 0. Grounded within the module. | 2 |
| 7 | Rate Select | No connection required | |
| 8 | LOS | Loss of Signal indication. Logic 0 indicates normal operation. | 3 |
| 9 | VEER | Receiver Ground (Common with Transmitter Ground) | 1 |
| 10 | VEER | Receiver Ground (Common with Transmitter Ground) | 1 |
| 11 | VEER | Receiver Ground (Common with Transmitter Ground) | 1 |
| 12 | RD- | Receiver Inverted DATA out. AC Coupled | |
| 13 | RD+ | Receiver Non-inverted DATA out. AC Coupled | |
| 14 | VEER | Receiver Ground (Common with Transmitter Ground) | 1 |
| 15 | VCCR | Receiver Power Supply | |
| 16 | VCCT | Transmitter Power Supply | |
| 17 | VEET | Transmitter Ground (Common with Receiver Ground) | 1 |
| 18 | TD+ | Transmitter Non-Inverted DATA in. AC Coupled. | |
| 19 | TD- | Transmitter Inverted DATA in. AC Coupled. | |
| 20 | VEET | Transmitter Ground (Common with Receiver Ground) | 1 |

Notes:

1. Circuit ground is connected to chassis ground

| PART NUMBER | DFTO | DATE | REVISION | SHEET NO |
|-------------|--------|-----------|----------|----------|
| SFPT-RJK-01 | VICTOR | 11/7/2014 | 0 | 3 OF 7 |

1000BASE-T Copper SFP Transceiver

2. Should be pulled up with 4.7k - 10k Ohms on host board to a voltage between 2.0 V and 3.6 V.
MOD_DEF(0) pulls line low to indicate module is plugged in.
3. LVTTTL compatible with a maximum voltage of 2.5V.

II. +3.3V Volt Electrical Power Interface

Input voltage range: 3.3 V +/- 5%. The 4V maximum voltage is not allowed for continuous operation.

| +3.3 Volt Electrical Power Interface | | | | | | |
|--------------------------------------|--------|------|-----|------|------|---|
| Parameter | Symbol | Min | Typ | Max | unit | Notes/Conditions |
| Supply Current | Is | | 320 | 375 | mA | 1.2W max power over full range of voltage and temperature. See caution note below |
| Input Voltage | Vcc | 3.13 | 3.3 | 3.47 | V | Referenced to GND |
| Maximum Voltage | Vmax | | | 4 | V | |
| Surge Current | Isurge | | | 30 | mA | Hot plug above steady state current. See caution note below |

Caution: Power consumption and surge current are higher than the specified values in the SFP MSA.

III. Low-Speed Signals

MOD_DEF(1) (SCL) and MOD_DEF(2) (SDA), are open drain CMOS signals (see section VII, "Serial Communication Protocol"). Both MOD_DEF(1) and MOD_DEF(2) must be pulled up to host Vcc.

| PART NUMBER | DFTO | DATE | REVISION | SHEET NO |
|-------------|--------|-----------|----------|----------|
| SFPT-RJK-01 | VICTOR | 11/7/2014 | 0 | 4 OF 7 |

1000BASE-T Copper SFP Transceiver

| Low-Speed Signals, Electronic Characteristics | | | | | |
|---|--------|---------------|----------------|------|---|
| Parameter | Symbol | Min | Max | unit | Notes/Conditions |
| SFP Output LOW | VOL | 0 | 0.5 | V | 4.7k to 10k pull-up to host_Vcc, measured at host side of connector |
| SFP Output HIGH | VOH | host_Vcc -0.5 | host_Vcc + 0.3 | V | 4.7k to 10k pull-up to host_Vcc, measured at host side of connector |
| SFP Input LOW | VIL | 0 | 0.8 | V | 4.7k to 10k pull-up to Vcc, measured at SFP side of connector |
| SFP Input HIGH | VIH | 2 | Vcc + 0.3 | V | 4.7k to 10k pull-up to Vcc, measured at SFP side of connector |

IV. High-Speed Electrical Interface

All high-speed signals are AC-coupled internally.

| High-Speed Electrical Interface, Transmission Line-SFP | | | | | | |
|--|--------------------------------|-----|-----|------|------|---|
| Parameter | Symbol | Min | Typ | Max | unit | Notes/Conditions |
| Line Frequency | fL | | 125 | | MHz | 5-level encoding, per IEEE 802.3 |
| Tx Output Impedance | Zout,TX | | 100 | | Ohm | Differential, for all frequencies between 1MHz and 125MHz |
| Rx Input Impedance | Zin,RX | | 100 | | Ohm | Differential, for all frequencies between 1MHz and 125MHz |
| Parameter | Symbol | Min | Typ | Max | unit | Notes/Conditions |
| Single ended data input Swing | Vinsing | 250 | | 1200 | mV | Single ended |
| Single ended data output Swing | Voutsing | 350 | | 800 | mV | Single ended |
| Rise/Fall Time | T _r ,T _f | | 175 | | psec | 20%-80% |
| Tx Input Impedance | Zin | | 50 | | Ohm | Single ended |
| Rx Output Impedance | Zout | | 50 | | Ohm | Single ended |

| | | | | |
|--------------------|-------------|-------------|-----------------|-----------------|
| PART NUMBER | DFTO | DATE | REVISION | SHEET NO |
| SFPT-RJK-01 | VICTOR | 11/7/2014 | 0 | 5 OF 7 |

1000BASE-T Copper SFP Transceiver

V. General Specifications

| General | | | | | | |
|--------------|--------|-----|-----|------|--------|---|
| Parameter | Symbol | Min | Typ | Max | unit | Notes/Conditions |
| Data Rate | BR | 10 | | 1000 | Mb/sec | IEEE 802.3 compatible. See Notes 2 through 4 below |
| Cable Length | L | | | 100 | m | Category 5 UTP. BER |

Notes:

1. Clock tolerance is +/- 50 ppm.
2. By default, it is a full duplex device in preferred master mode.
3. Automatic crossover detection is enabled. External crossover cable is not required.
4. Does not support SGMII. With a SERDES the module will operate at 1000BASE-T only.

VI. Environmental Specifications

| Environmental Specifications | | | | | | |
|------------------------------|--------|-----|-----|-----|------|---------------------|
| Parameter | Symbol | Min | Typ | Max | unit | Notes/Conditions |
| Case Operating Temperature | Tcase | 0 | | 70 | °C | |
| Storage Temperature | Tsto | -40 | | 85 | °C | Ambient temperature |

VII. Serial Communication Protocol

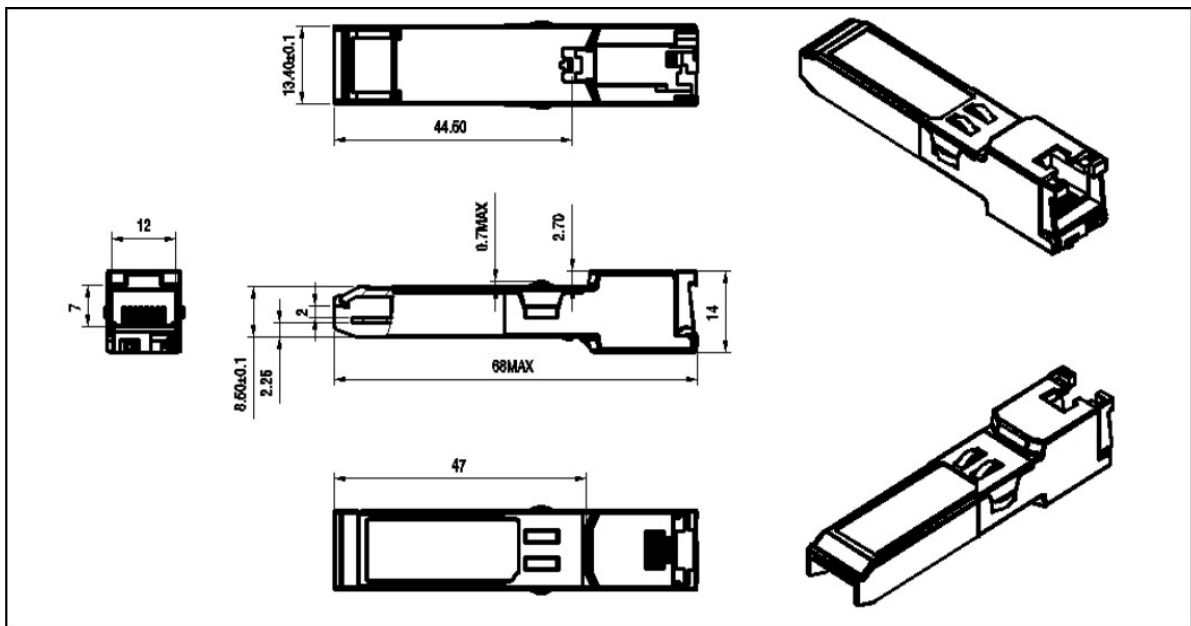
Support the 2-wire serial communication protocol outlined in the SFP MSA. It uses use an Atmel AT24C02B 256 byte EEPROM with an address of A0h.

| PART NUMBER | <u>DFTO</u> | <u>DATE</u> | <u>REVISION</u> | <u>SHEET NO</u> |
|-------------|-------------|-------------|-----------------|-----------------|
| SFPT-RJK-01 | VICTOR | 11/7/2014 | 0 | 6 OF 7 |

1000BASE-T Copper SFP Transceiver

| Serial Bus Timing Requirements | | | | | | |
|--------------------------------|--------|-----|-----|---------|------|------------------|
| Parameter | Symbol | Min | Typ | Max | unit | Notes/Conditions |
| I ² C Clock Rate | | 0 | | 100,000 | Hz | |

VIII. Mechanical Specifications (Unit: mm)



| PART NUMBER | DFTO | DATE | REVISION | SHEET NO |
|-------------|--------|-----------|----------|----------|
| SFPT-RJK-01 | VICTOR | 11/7/2014 | 0 | 7 OF 7 |