

PRODUCT NUMBER
98424-X52-XX-XXXLF

PLATING
S = 0.38µm GOLD/GXT ON CONTACT AREA
3.81µm TIN LEAD ON TAIL

G = 0.76µm GOLD/GXT ON CONTACT AREA
3.81µm TIN LEAD ON TAIL.

F = GOLD FASH ON CONTACT AREA
3.81µm TIN LEAD ON TAIL.

WHEN REQUIRED, ADD SUFFIX LETTER "LF" INDICATES THE PRODUCT IS RoHS COMPATIBLE, SEE NOTE 8

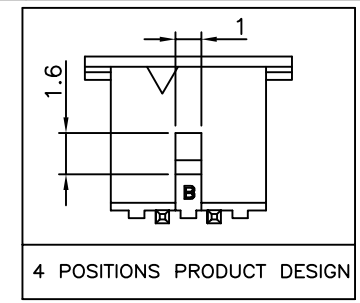
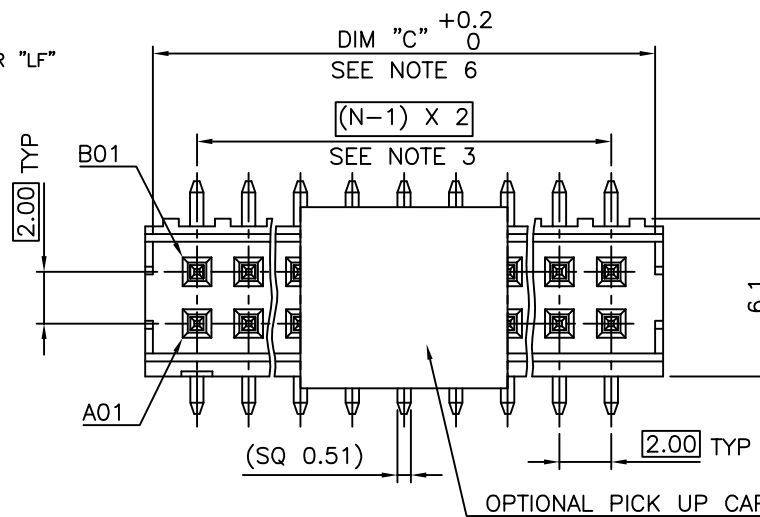
POLARIZATION (SEE NOTE 7)

PACKAGING OPTIONAL LETTER (SEE NOTE 5)

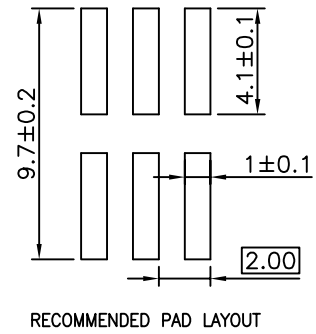
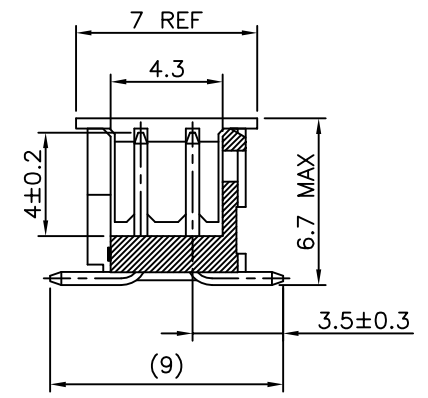
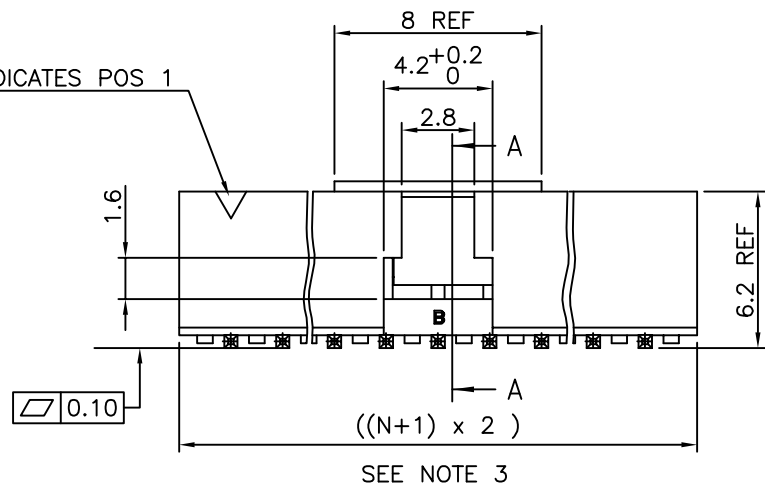
TOTAL NB OF POSITIONS, 04 TO 50

NOTES:

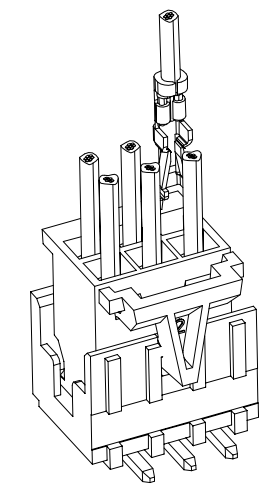
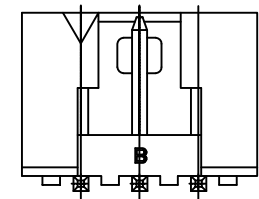
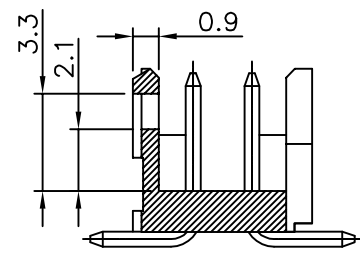
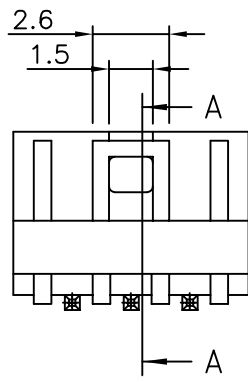
- MATERIAL HOUSING: HIGH TEMP. THERMOPLASTIC UL 94V-0, COLOR CREAM
- MATERIAL TERMINAL: COPPER ALLOY
- TO DETERMINE DIMENSIONS:
N = NUMBER OF POSITIONS PER ROW
- 7N MIN. PIN RETENTION IN EITHER DIRECTION.
- PACKAGING:
= PLASTIC BOX
- = PLASTIC BOX WHEN POLARISATION FEATURE APPLICABLE
U = TUBE AVAILABLE FROM 08 TO 50 POS
A = TAPE AND REEL WITH PICK UP CAP INSTALLED IN THE CENTER OF THE PRODUCT FOR PICK AND PLACE, SEE TAB84 FOR AVAILABILITY.
K = TAPE AND REEL WITHOUT PICK UP CAP
C = TAPE AND REEL WITH SPECIAL LARGE CAP, ONLY FOR 98424-Y52-06CLF FOR ALL SPECIAL PACKAGING, FCI TO BE CONTACTED
- DIM "c" = (N x 2) + 1.4
EXAMPLE: N = 7
DIM "c" = (7 x 2) + 1.4
- FOR POLARIZATION, SPECIFIED PIN = 15.4 mm
EXAMPLE : A03 = ROW A, POSITION 03 TO OMIT PIN
OMIT FROM PRODUCT NUMBER IF THIS FEATURE IS NOT APPLICABLE
- RoHS COMPATIBLE PRODUCT SPECIFICATIONS
 - PLATING:
- "LF" MEANS THE PRODUCT IS LEAD-FREE, 2µm MINIMUM MATTE TIN OVER 1.27µm MINIMUM NICKEL UNDERPLATE.
 - MANUFACTURING PROCESS COMPATIBILITY
- THE HOUSING WILL WITHSTAND EXPOSURE TO 260°C PEAK TEMPERATURE FOR 30 SECONDES MAX IN A CONVECTION, INFRA-RED OR VAPOR PHASE OR REFLOW OVEN.
 - LABELLING:
- MEETS PACKAGING SPECS AS PER GS-14-920
 - THIS PRODUCT MEETS EUROPEAN DIRECTIVES AND OTHER COUNTRY REGULATIONS AS DISCRIBED IN GS-22-008.



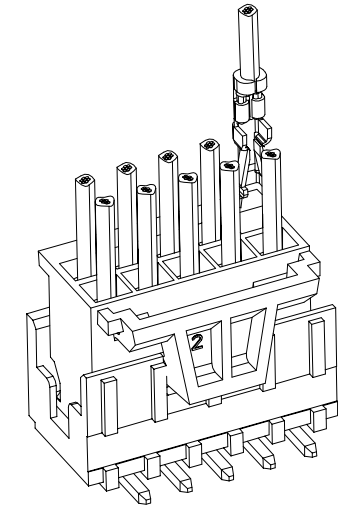
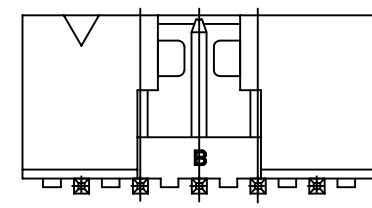
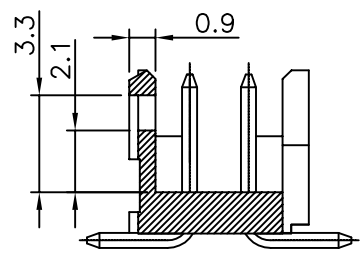
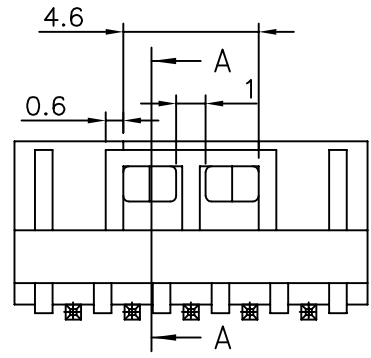
INDICATES POS 1



mat'l. code		surface		tolerance		projection		product family	
SEE NOTES		ISO 1302		ISO 406		ISO 1101		MINITEK	
ltr	ecn no	dr	date	tolerances unless otherwise specified		mm		title	
N	F10-0007	JCO	10.01.28	angles	X.X ±0.3	mm		SHR HEADER	
P	F11-007	JCO	11.06.17	linear	X.XX ±0.13	mm		2.00 VERTICAL SMT	
M	F08-0145	ELA	17.04.08	appd	X.XXX ±0.05	scale 1:1		dwg no	
J	F06-0210	LMU	06.07.05	dr	L.MULIN	04.09.27	sheet 1 of 2		size
K	F06-0259	LMU	06.08.28	engr	J.COMPAGNON	04.09.27	98424		A3
L	F08-0113	LMU	08.01.17	chr			type		CUSTOMER Drawing
sheet index		revision	P	A					
1		sheet	1	2					



2x3 POS AND 2x4 POS CONFIGURATION
NO LATCHING AVAILABLE FOR 2x2 POS



2x5 POS UP TO 2x25 POS CONFIGURATION

LATCHING FEATURES WHEN USED IN COMBINATION
WITH ACTIVE LATCH HOUSING 10073599

mat'l. code		surface		tolerance		projection		product family	
SEE NOTES		ISO 1302		ISO 406		ISO 101		MINITEK	
ltr	ecn no	dr	date	tolerances unless otherwise specified		mm		title	
A	F08-0113	LMU	08.01.17	angles	X.X ±0.3	mm		SHR HEADER	
				linear	X.XX ±0.13	scale 1:1		2.00 VERTICAL SMT	
					X.XXX ±0.05			dwg no	
				dr	L.MULIN	07.11.06	FCI		sheet 2 of - size
				engr	J.COMPAGNON	07.11.06			98424
				chr					A3
				appd	JM.C	07.11.06			type
sheet	revision								CUSTOMER Drawing
index	sheet								



Copyright FCI