

Place Holder Barrier KFD0-LGH-5T

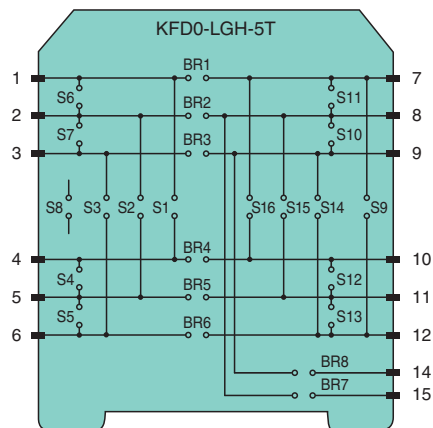
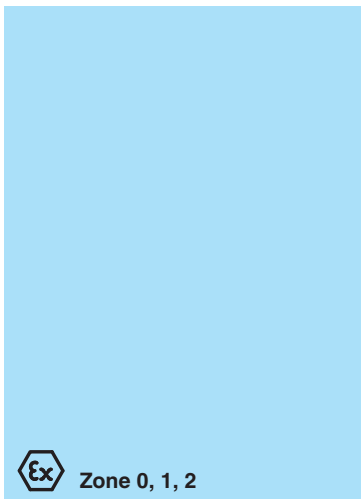
- K-System place holder module
- Housing width 20 mm
- Marshalling for field and control side circuits
- Configurable via plug-in jumpers
- Two additional green terminal blocks supplied separately

Place holder barrier for KF modules with 2 additional green terminal blocks



The device is used in cable distribution cables. The device improves accessibility and compactness within a switch cabinet. Different configurations are possible by using wire jumpers. The wire jumpers are located in the device. To configure the device, you have to open the device.

Connection



Zone 2

Technical Data

Electrical specifications		
Rated voltage	U_r	$\leq 50 \text{ V}$
Rated current	I_r	$\leq 2 \text{ A}$
Indicators/settings		
Configuration	via internal wire jumpers	
Labeling	space for labeling at the front	
Conformity		
Degree of protection	IEC 60529	
Ambient conditions		
Ambient temperature	$-20 \dots 60 \text{ }^\circ\text{C}$ ($-4 \dots 140 \text{ }^\circ\text{F}$)	
Mechanical specifications		
Degree of protection	IP20	
Connection	screw terminals	
Mass	approx. 120 g	

Release date: 2021-11-25 Date of issue: 2021-11-25 Filename: 216165_eng.pdf

Refer to "General Notes Relating to Pepperl+Fuchs Product Information".

Pepperl+Fuchs Group
www.pepperl-fuchs.com

USA: +1 330 486 0002
pa-info@us.pepperl-fuchs.com

Germany: +49 621 776 2222
pa-info@de.pepperl-fuchs.com

Singapore: +65 6779 9091
pa-info@sg.pepperl-fuchs.com

 PEPPERL+FUCHS

Technical Data

Dimensions	20 x 119 x 115 mm (0.8 x 4.7 x 4.5 inch) (W x H x D) , housing type B2
Mounting	on 35 mm DIN mounting rail acc. to EN 60715:2001
Data for application in connection with hazardous areas	
Certificate	PF 08 CERT 1214 X
Marking	Ⓔ II 3G Ex nA IIC T4 Gc
Directive conformity	
Directive 2014/34/EU	EN 60079-0:2012+A11:2013 , EN 60079-15:2010
General information	
Supplementary information	Observe the certificates, declarations of conformity, instruction manuals, and manuals where applicable. For information see www.pepperl-fuchs.com .

Assembly

Front view

