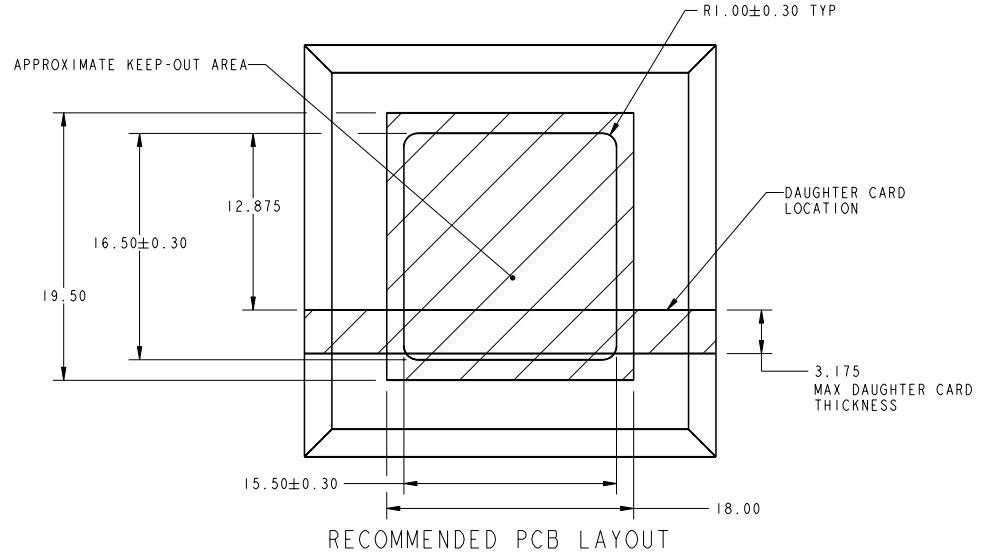
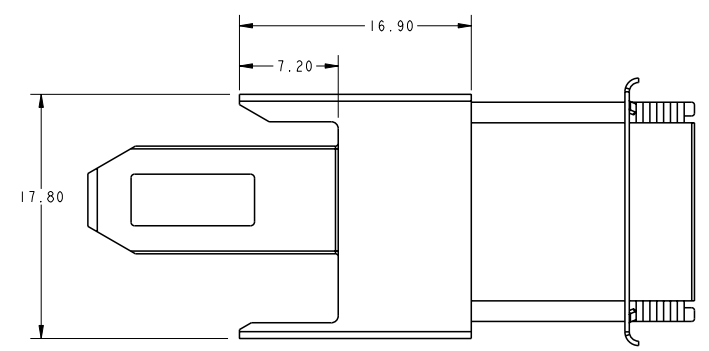
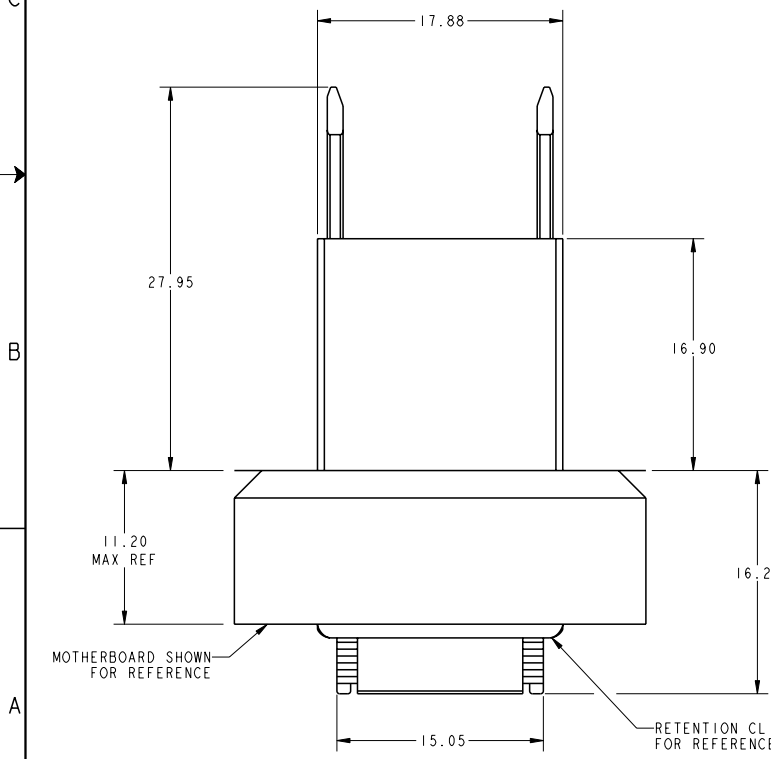
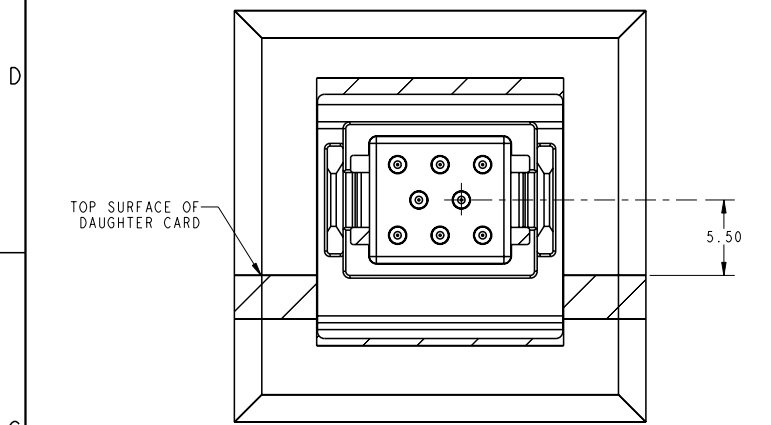


THIS IS ISSUED IN STRICT CONFIDENCE ON CONDITION THAT IT IS NOT USED AS A BASIS FOR MANUFACTURE OR SALE, AND THAT IT IS NOT COPIED, REPRINTED OR DISCLOSED TO A THIRD PARTY EITHER WHOLLY OR IN PART WITHOUT THE PRIOR WRITTEN CONSENT OF ITT CANNON.

REVISIONS			
REV	DESCRIPTION	DATE	APPROVAL
4	PROPOSED	26 JUN 01	SDG
5	MODIFIED FOR 11.20mm MAX PCB THICKNESS	26 JUL 01	SDG



## CUSTOMER PRINT

UNLESS OTHERWISE SPECIFIED: -DIMENSIONS AND TOLERANCES AS PER ASME Y14.5M-1994 -DIMENSIONS ARE IN MILLIMETERS. -REMOVE ALL BURRS AND SHARP EDGES 0.13 MAX. -DO NOT SCALE DRAWING.		TOL DECIMALS .X ± .50 .XX ± .13 .XXX ± .XXXX ±	TOL ANGLES X° ± 1° SURFACE ROUGHNESS 63 11.63	CRITICAL DIMENSIONS
DRAWN S. GHERARDINI	DATE 26 JUN 01	SURFACE AREA		WEIGHT
CHECKED ***	DATE ***	REF		
APPROVED ***	DATE ***	PART NO		E2001-10017
<b>ITT Industries</b> ITT Cannon 666 E. DYER RD, SANTA ANA, CA 92705	SCALE 4.000	DESCRIPTION <b>ASSEMBLY, VERTICAL, 8 POSITION, PHD-TEMPUS</b>		
	CAGE CODE <b>71468</b>	SIZE C	SHEET 1 / 1	REV <b>5</b>
3RD ANGLE PROJECTION		E2001-10017		

- HOUSING MATERIAL: LCP OR SIMILAR, UL 94 V-0, BLACK. RETENTION CLIP: STAINLESS STEEL.
- ALL DIMENSIONS ARE SUBJECT TO CHANGE PENDING PROTOTYPE VERIFICATION.

DWG. NO. E2001-10017 SH 1 REV 5