

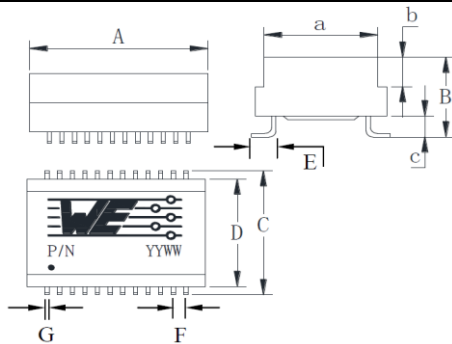
# Spezifikation für Freigabe / specification for release

Kunde / customer :  
 Artikelnummer / part number : **749020011A**  
 Bezeichnung : **LAN-Übertrager WE-LAN**  
 description : **LAN-Transformer WE-LAN**



DATUM / DATE : 2015-01-26

## A Mechanische Abmessungen / dimensions :



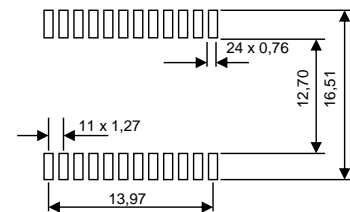
	1000 BaseT	
A	<b>17,50 ± 0,25</b>	mm
B	<b>6,50 max.</b>	mm
C	<b>15,24 ± 0,25</b>	mm
D	<b>14,20 ± 0,25</b>	mm
E	<b>1,27 ± 0,05</b>	mm
F	<b>1,27 ± 0,05</b>	mm
G	<b>0,30 ± 0,10</b>	mm
a	<b>12,65 ± 0,25</b>	mm
b	<b>2,3 ± 0,25</b>	mm
c	<b>2,00 max.</b>	mm

● = Pin 1

## B Elektrische Eigenschaften / electrical properties :

Eigenschaften / properties	Testbedingungen / test conditions		Wert / value	Einheit / unit	tol.
Induktivität / Inductance	<b>100kHz / 100mV @ 8mA DC-Bias</b>	OCL	<b>350</b>	μH	min.
Übersetzungsverhältnis / Turns ratio	<b>100kHz / 100mV</b>	TR	<b>1 : 1</b>	Tx	<b>3%</b>
			<b>1 : 1</b>	Rx	
Insertion Loss	<b>1-100MHz</b>	IL	<b>-1,0</b>	dB	max.
Return Loss	<b>1-40MHz @ 100Ω</b>	RL	<b>-18</b>	dB	min.
	<b>50MHz @ 100Ω</b>		<b>-16</b>		
	<b>60-80MHz @ 100Ω</b>		<b>-12</b>		
	<b>100MHz @ 100Ω</b>		<b>-10</b>		
Differential to Common Mode Rejection	<b>30MHz</b>	DCMR	<b>-43</b>	dB	min.
	<b>60MHz</b>		<b>-37</b>		
	<b>100MHz</b>		<b>-33</b>		
Crosstalk	<b>60MHz</b>	CT	<b>-40</b>	dB	min.
	<b>100MHz</b>		<b>-35</b>		

## C Lötpad / soldering spec. :



## D Prüfgeräte / test equipment :

HP-4284  
 HP-8714  
 CH-19073  
 CH-3250

## E Testbedingungen / test conditions :

Luftfeuchtigkeit / humidity: 33%  
 Umgebungstemperatur / temperature: +25°C

## F Werkstoffe & Zulassungen / material & approvals :

Basismaterial / base material: Ferrit/ ferrite  
 Draht / wire: 0UEW QPN200  
 Kontaktmaterial/ contact plating: Cu-Ni-Sn  
 Gehäuse / case: Bakelite & UL94-V0  
 MSL Level 1  
 Verguss / potting: UL94-V0

## G Eigenschaften / general specifications :

Betriebstemp. / Operating temperature: -40°C - + 85°C  
 Hochspannungsprüfung / Hipot test: 1500Vrms 1min.  
 Geeignet für 1000BaseT-Anwendungen gemäß IEEE 802.3ab /  
 Compliant with IEEE 802.3ab for 1000BaseT  
 Sn Stärke vor dem Heißverzinne 5 μm min. /  
 Sn thickness before hot dip soldering 5 μm min.  
 Ni Stärke 1 μm min. / Ni thickness 1 μm min.

Freigabe erteilt / general release:

Kunde / customer

Datum / date

Unterschrift / signature

Würth Elektronik

Geprüft / checked

Kontrolliert / approved

JaB	Revision 05	2015-01-26
Mle	Revision 04	2014-07-28
Mle	Revision 03	2014-01-08
Mle	Revision 02	2013-08-02
Mle	Revision 01	2013-06-18
Mle	Revision 00 (Preliminary)	2013-03-26
Name	Änderung / modification	Datum / date

### Würth Elektronik eiSos GmbH & Co.KG

D-74638 Waldenburg · Max-Eyth-Straße 1 - 3 · Germany · Telefon (+49) (0) 7942 - 945 - 0 · Telefax (+49) (0) 7942 - 945 - 400  
<http://www.we-online.com>

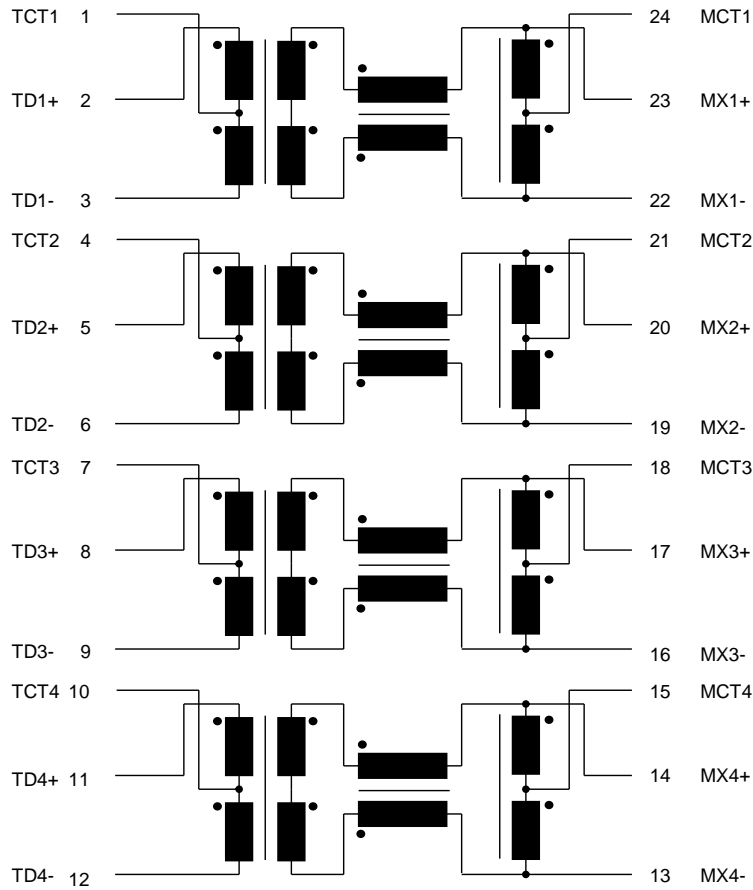
# Spezifikation für Freigabe / specification for release

Kunde / customer :  
 Artikelnummer / part number : **749020011A**  
 Bezeichnung : **LAN-Übertrager WE-LAN**  
 description : **LAN-Transformer WE-LAN**



DATUM / DATE : 2015-01-26

## H Schaltbild / Schematics :



Freigabe erteilt / general release:	<b>Kunde / customer</b>			
.....	.....	JaB	Revision 05	2015-01-26
Datum / date	Unterschrift / signature	Mle	Revision 04	2014-07-28
.....	<b>Würth Elektronik</b>	Mle	Revision 03	2014-01-08
.....	.....	Mle	Revision 02	2013-08-02
Geprüft / checked	Kontrolliert / approved	Mle	Revision 01	2013-06-18
.....	.....	Mle	Revision 00 (Preliminary)	2013-03-26
.....	.....	Name	Änderung / modification	Datum / date

### Würth Elektronik eiSos GmbH & Co.KG

D-74638 Waldenburg · Max-Eyth-Straße 1 - 3 · Germany · Telefon (+49) (0) 7942 - 945 - 0 · Telefax (+49) (0) 7942 - 945 - 400  
<http://www.we-online.com>

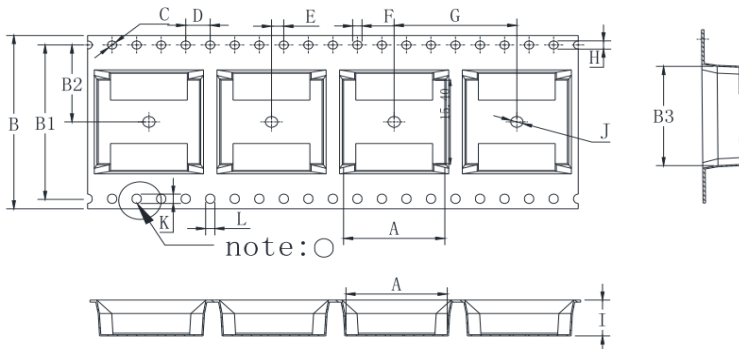
# Spezifikation für Freigabe / specification for release

Kunde / customer :  
 Artikelnummer / part number : **749020011A**  
 Bezeichnung : **LAN-Übertrager WE-LAN**  
 description : **LAN-Transformer WE-LAN**



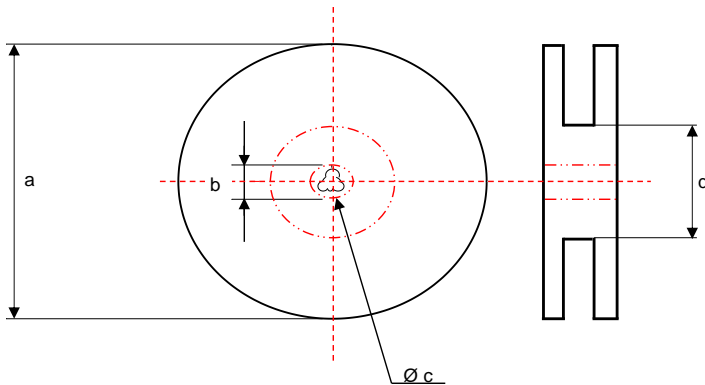
DATUM / DATE : 2015-01-26

## I Rollenspezifikation / tape and reel specification :



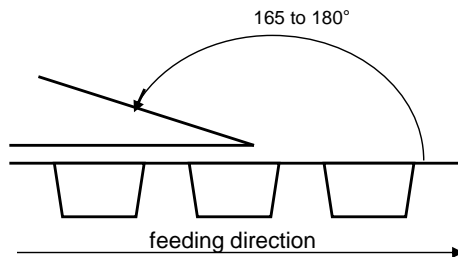
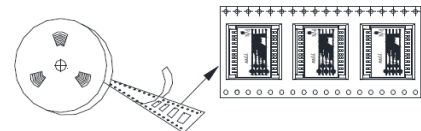
## Gurtspezifikation / Tape specification:

A	16,50 ± 0,1	mm
B	32,00 ± 0,3	mm
B1	28,40 ± 0,1	mm
B2	14,20 ± 0,1	mm
B3	17,93 ± 0,1	mm
C	1,50 +0,1/-0	mm
D	4,00 ± 0,1	mm
E	2,00 ± 0,1	mm
F	1,50 +0,1/-0	mm
G	20,00 ± 0,1	mm
H	1,50 +0,1/-0	mm
I	6,60 ± 0,1	mm
J	2,00 +0,1/-0	mm
K	1,70 +0,1/-0	mm
L	1,50 +0,1/-0	mm



## Rollenspezifikation / Reel specification:

a	330,0 ± 2,0	mm
b	21,00 ± 0,8	mm
c	13,60 ± 0,5	mm
d	100,0 ± 1,0	mm



### Package Quantity:

reel = 350pcs  
 carton = 3500pcs

The force for tearing off cover tape is 40 to 120 grams in arrow direction

Freigabe erteilt / general release:	Kunde / customer			
	Datum / date			
Geprüft / checked	Unterschrift / signature			
	Kontrolliert / approved			
		JaB	Revision 05	2015-01-26
		Mle	Revision 04	2014-07-28
		Mle	Revision 03	2014-01-08
		Mle	Revision 02	2013-08-02
		Mle	Revision 01	2013-06-18
		Mle	Revision 00 (Preliminary)	2013-03-26
		Name	Änderung / modification	Datum / date

This electronic component has been designed and developed for usage in general electronic equipment. Before incorporating this component into any equipment where higher safety and reliability is especially required or if there is the possibility of direct damage or injury to human body, for example in the range of aerospace, aviation, nuclear control, submarine, transportation, (automotive control, train control, ship control), transportation signal, disaster prevention, medical, public information network etc. Würth Elektronik eiSos GmbH must be informed before the design-in stage. In addition, sufficient reliability evaluation checks for safety must be performed on every electronic component which is used in electrical circuits that require high safety and reliability functions or performance.

## Würth Elektronik eiSos GmbH & Co.KG

D-74638 Waldenburg · Max-Eyth-Straße 1 - 3 · Germany · Telefon (+49) (0) 7942 - 945 - 0 · Telefax (+49) (0) 7942 - 945 - 400  
<http://www.we-online.com>