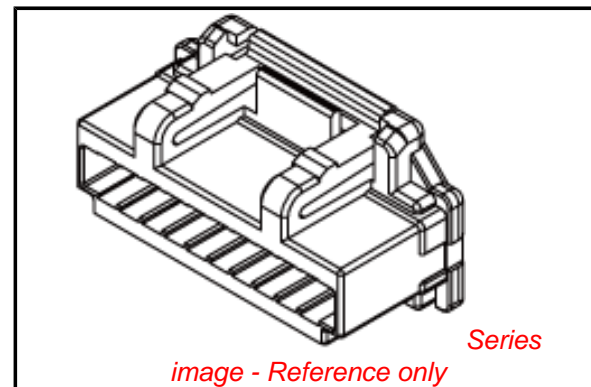


PLEASE CHECK WWW.MOLEX.COM FOR LATEST PART INFORMATION

Part Number: [5031102000](#)
Status: **Active**
Overview: [duoclassp](#)
Description: 1.25mm (.049") Pitch Duo-Clasp™ Wire-to-Board Housing, Dual Row, Positive Lock, 20 Circuits

Documents:

Application Specification (PDF)	Drawing (PDF)
3D Model	Product Specification PS-501931-002 (PDF)
Packaging Specification (PDF)	RoHS Certificate of Compliance (PDF)



General

Product Family	Crimp Housings
Series	503110
Overview	duoclassp
Product Name	Duo-Clasp™

Physical

Breakaway	No
Circuits (maximum)	20
Color - Resin	White
Gender	Plug
Glow-Wire Compliant	No
Keying to Mating Part	Yes
Lock to Mating Part	Yes
Number of Rows	2
Packaging Type	Bag
Panel Mount	No
Pitch - Mating Interface (in)	0.049 In
Pitch - Mating Interface (mm)	1.25 mm
Pitch - Term. Interface (in)	0.049 In
Pitch - Term. Interface (mm)	1.25 mm
Polarized to Mating Part	Yes
Ports	1
Stackable	No
Temperature Range - Operating	-25°C to +85°C

Electrical

Current - Maximum per Contact	1A
-------------------------------	----

Material Info

Reference - Drawing Numbers

Application Specification	AS-503110-001, AS-503110-002
Packaging Specification	PK-503110-001, SPK-503110-001
Product Specification	PS-501931-002, RPS-501931-002
Sales Drawing	SD-503110-001

EU RoHS

**ELV and RoHS
Compliant**
**REACH SVHC
Contains SVHC: No**
**Halogen-Free
Status**

China RoHS



**Need more information on product
environmental compliance?**

Email productcompliance@molex.com
 For a multiple part number RoHS Certificate of Compliance, [click here](#)

Please visit the [Contact Us](#) section for any non-product compliance questions.

Search Parts in this Series

[503110Series](#)

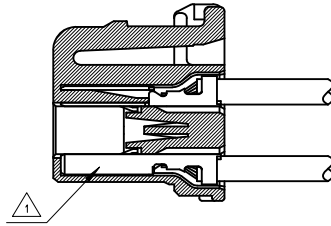
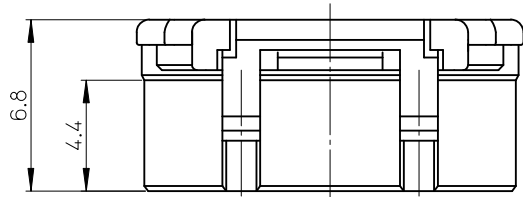
Mates With

[501931](#) PCB Receptacle . [502046](#) PCB Receptacle

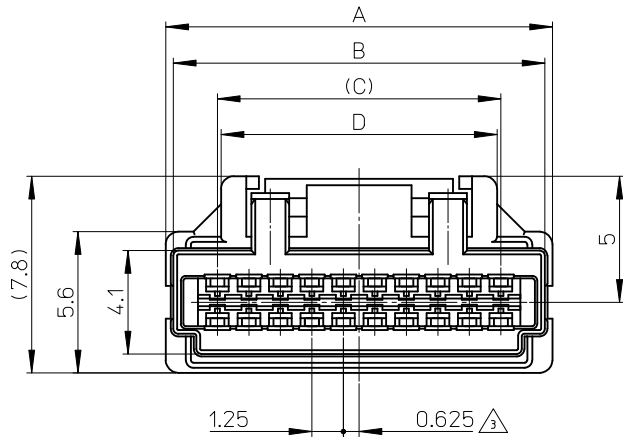
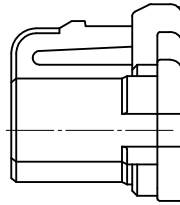
Use With

[501930](#) Crimp Terminal

10 9 8 7 6 5 4 3 2 1

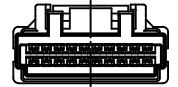
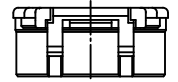
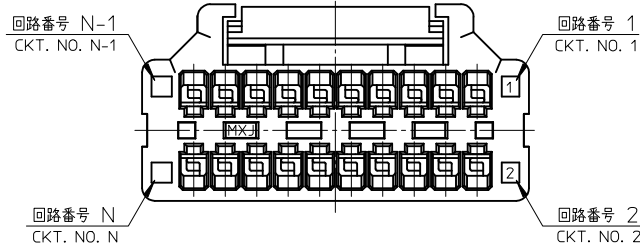


ターミナル装着図
TERMINAL ASSEMBLY DRAWING



NOTES

- △ 適合ターミナル: 501930-****
APPLICABLE TERMINAL: 501930-****
- 2. 嵌合相手: 501931-****, 502046-****
MATE WITH: 501931-****, 502046-****
- △ 極数/2=偶数に適用。
APPLY FOR CKT. SIZE / 2 = EVEN.
- 4. アプリケーション仕様書(コネクタ取扱説明書)
AS-503110-001, AS-503110-002
APPLICATION SPECIFICATIONS (CONNECTOR MANUAL)
AS-503110-001, AS-503110-002
- 5. 製品仕様書: PS-501931-002
Product specification: PS-501931-002
- 6. ELV 及び RoHS 適合品
ELV AND RoHS COMPLIANT



20ckt.



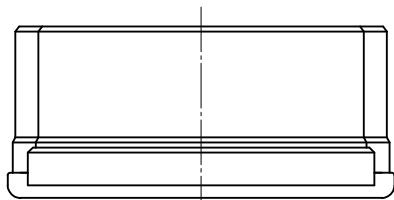
30ckt.



40ckt.

極数の種類 (正面図)

KIND OF CKT. NO. (FRONT VIEW)



23.45	23.75	27.25	27.85	503110-4000	40
17.2	17.5	21	21.6	503110-3000	30
10.95	11.25	14.75	15.35	503110-2000	20
D	C	B	A	PLASTIC BAG	極数
オーダー番号 ORDER No.					CIRCUITS

CONNECTOR SERIES No. 503110-**-**00

REVISED EC NO: J2010-1278 DRWN: YOSHIKAWA 2009/12/16 CHKD: K. ASAKAWA 2009/12/16 APPR: NUKITA 2009/12/16	GENERAL TOLERANCES (UNLESS SPECIFIED)		DIMENSION STYLE MM ONLY		SCALE 5:1	DESIGN UNITS METRIC	THIRD ANGLE PROJECTION
	10 UNDER	±0.2	DRAWN BY N. NISHI	DATE 2007/11/16	TITLE 1.25 W/B CONN.DUAL PLUG HOUSING		
	10 OVER 30 UNDER	±0.25	CHECKED BY K. ASAKAWA	DATE 2007/11/16	MOLEX INCORPORATED		
	30 OVER	±0.3	APPROVED BY Y. ITO	DATE 2007/11/16	DOCUMENT NO. SD-503110-001		
	ANGULAR ±3 °	DRAFT WHERE APPLICABLE MUST REMAIN WITHIN DIMENSIONS		SIZE A3	SHEET NO. 1 OF 1		
		THIS DRAWING CONTAINS INFORMATION THAT IS PROPRIETARY TO MOLEX INCORPORATED AND SHOULD NOT BE USED WITHOUT WRITTEN PERMISSION					

部品 PART	材質 MATERIAL
ハウジング HOUSING	ポリエステル(PBT) UL94V-0 色: 白 POLYESTER(PBT) UL94V-0 COLOR: WHITE