



RF Power Field Effect Transistors

N-Channel Enhancement-Mode Lateral MOSFETs

Designed for GSM and EDGE base station applications with frequencies from 1800 to 2000 MHz. Suitable for FM, TDMA, CDMA and multicarrier amplifier applications. Specified for GSM 1805-1880 MHz.

- Typical GSM Performance:
 Power Gain - 14 dB (Typ) @ 30 Watts
 Efficiency - 50% (Typ) @ 30 Watts
- Capable of Handling 5:1 VSWR, @ 26 Vdc, 30 Watts CW Output Power

Features

- Internally Matched for Ease of Use
- High Gain, High Efficiency and High Linearity
- Integrated ESD Protection
- Designed for Maximum Gain and Insertion Phase Flatness
- Low Gold Plating Thickness on Leads, 40μ" Nominal.
- RoHS Compliant
- in Tape and Reel. R3 Suffix = 250 Units per 32 mm, 13 inch Reel.

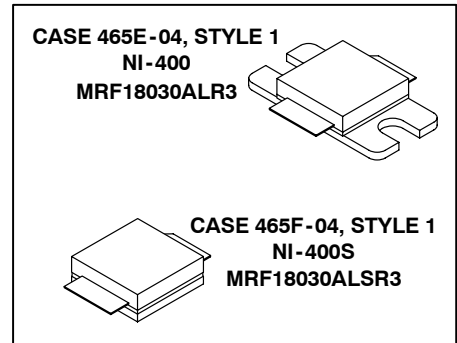
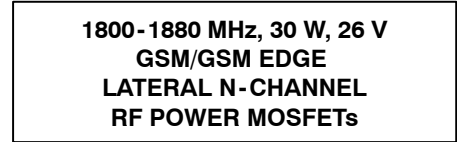
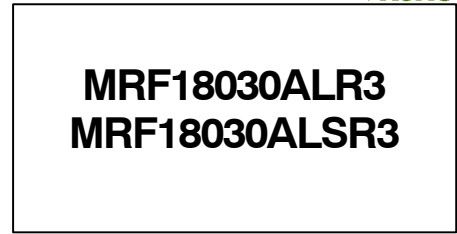


Table 1. Maximum Ratings

Rating	Symbol	Value	Unit
Drain-Source Voltage	V _{DSS}	-0.5, +65	Vdc
Gate-Source Voltage	V _{GS}	-0.5, +15	Vdc
Total Device Dissipation @ T _C = 25°C Derate above 25°C	P _D	83.3 0.48	W W/°C
Storage Temperature Range	T _{stg}	-65 to +150	°C
Case Operating Temperature	T _C	150	°C
Operating Junction Temperature	T _J	200	°C

Table 2. Thermal Characteristics

Characteristic	Symbol	Value	Unit
Thermal Resistance, Junction to Case	R _{θJC}	2.1	°C/W

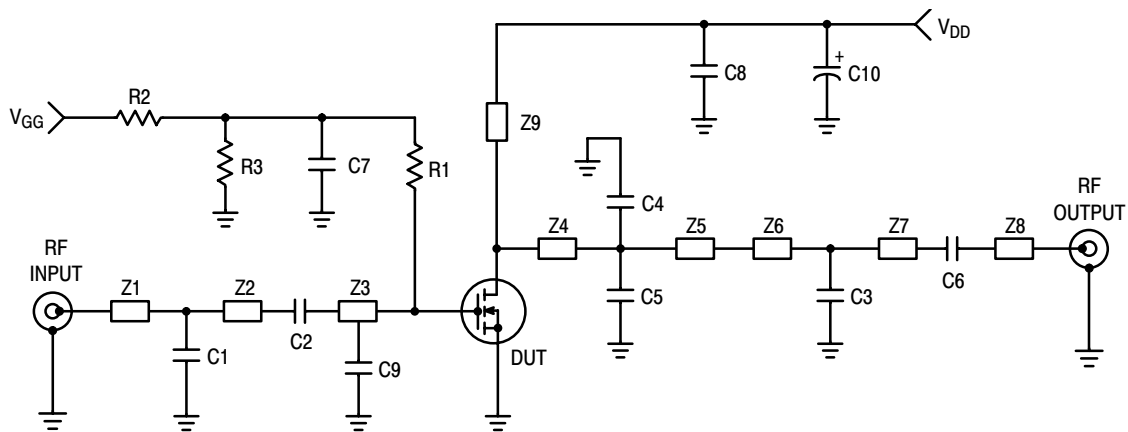
Table 3. ESD Protection Characteristics

Test Conditions	Class
Human Body Model	2 (Minimum)
Machine Model	M3 (Minimum)

Table 4. Electrical Characteristics ($T_C = 25^\circ\text{C}$, 50 ohm system unless otherwise noted)

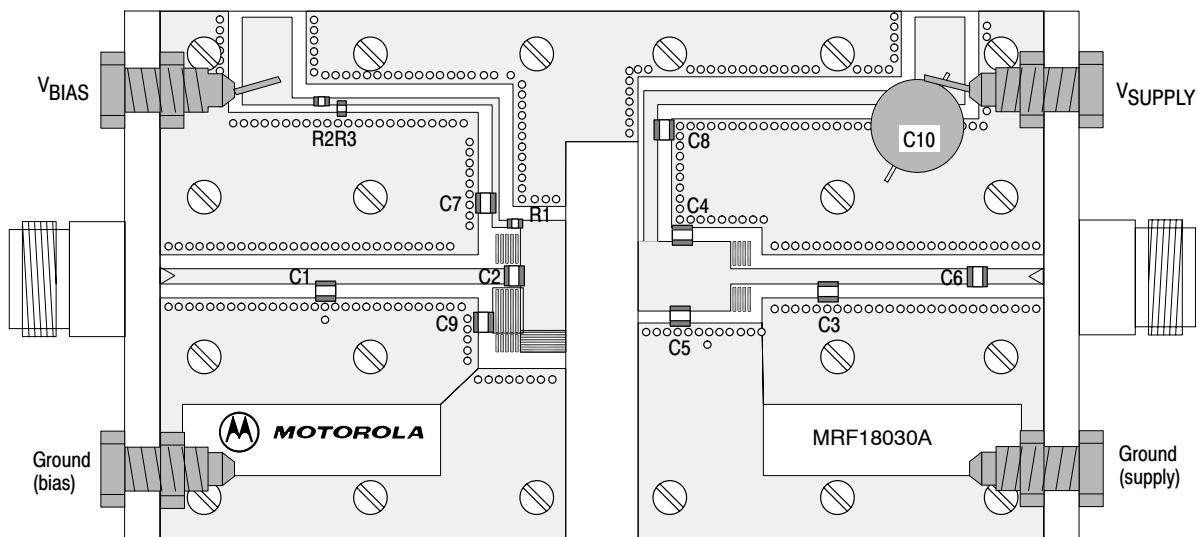
Characteristic	Symbol	Min	Typ	Max	Unit
Off Characteristics					
Drain-Source Breakdown Voltage ($V_{GS} = 0\text{ Vdc}$, $I_D = 20\ \mu\text{Adc}$)	$V_{(BR)DSS}$	65	—	—	Vdc
Zero Gate Voltage Drain Current ($V_{DS} = 26\text{ Vdc}$, $V_{GS} = 0\text{ Vdc}$)	I_{DSS}	—	—	1	μAdc
Gate-Source Leakage Current ($V_{GS} = 5\text{ Vdc}$, $V_{DS} = 0\text{ Vdc}$)	I_{GSS}	—	—	1	μAdc
On Characteristics					
Gate Threshold Voltage ($V_{DS} = 10\text{ Vdc}$, $I_D = 100\ \mu\text{Adc}$)	$V_{GS(th)}$	2	3	4	Vdc
Gate Quiescent Voltage ($V_{DS} = 26\text{ Vdc}$, $I_D = 250\text{ mAdc}$)	$V_{GS(Q)}$	2	3.9	4.5	Vdc
Drain-Source On-Voltage ($V_{GS} = 10\text{ Vdc}$, $I_D = 1\text{ Adc}$)	$V_{DS(on)}$	—	0.29	0.4	Vdc
Forward Transconductance ($V_{DS} = 10\text{ Vdc}$, $I_D = 1\text{ Adc}$)	g_{fs}	—	2	—	S
Dynamic Characteristics					
Reverse Transfer Capacitance ⁽¹⁾ ($V_{DS} = 26\text{ Vdc} \pm 30\text{ mV(rms)ac}$ @ 1 MHz, $V_{GS} = 0\text{ Vdc}$)	C_{rss}	—	1.3	—	pF
Functional Tests (In Freescale Test Fixture) ⁽²⁾					
Output Power, 1 dB Compression Point ($V_{DD} = 26\text{ Vdc}$, $I_{DQ} = 250\text{ mA}$, $f = 1805 - 1880\text{ MHz}$)	P1dB	27	30	—	W
Common-Source Amplifier Power Gain @ 30 W ($V_{DD} = 26\text{ Vdc}$, $I_{DQ} = 250\text{ mA}$, $f = 1805 - 1880\text{ MHz}$)	G_{ps}	13	14	—	dB
Drain Efficiency @ 30 W ($V_{DD} = 26\text{ Vdc}$, $I_{DQ} = 250\text{ mA}$, $f = 1805 - 1880\text{ MHz}$)	η	46.5	50	—	%
Input Return Loss @ 30 W ($V_{DD} = 26\text{ Vdc}$, $I_{DQ} = 250\text{ mA}$, $f = 1805 - 1880\text{ MHz}$)	IRL	—	-12	-9	dB

1. Part internally matched both on input and output.
2. Device specifications obtained on a Production Test Fixture.



C1	1.8 pF, 100B Chip Capacitor	Z1	0.874" x 0.087" Microstrip
C2	0.8 pF, 100B Chip Capacitor	Z2	1.094" x 0.087" Microstrip
C3	1.0 pF, 100B Chip Capacitor	Z3	0.257" x 0.633" Microstrip
C4, C5	1.2 pF, 100B Chip Capacitors	Z4	0.189" x 0.394" Microstrip
C6, C7, C8	8.2 pF, 100B Chip Capacitors	Z5	0.335" x 0.394" Microstrip
C9	0.3 pF, 100B Chip Capacitor	Z6	0.484" x 0.087" Microstrip
C10	220 μ F, 63 V Electrolytic Capacitor	Z7	0.877" x 0.087" Microstrip
R1	1.0 k Ω , 1/8 W Chip Resistor (0805)	Z8	0.366" x 0.087" Microstrip
R2, R3	10 k Ω , 1/8 W Chip Resistors (0805)	Z9	\approx 0.600" x 0.087" Microstrip

Figure 1. 1805 - 1880 MHz Test Fixture Schematic



Freescale has begun the transition of marking Printed Circuit Boards (PCBs) with the Freescale Semiconductor signature/logo. PCBs may have either Motorola or Freescale markings during the transition period. These changes will have no impact on form, fit or function of the current product.

Figure 2. 1805 - 1880 MHz Test Fixture Component Layout

TYPICAL CHARACTERISTICS

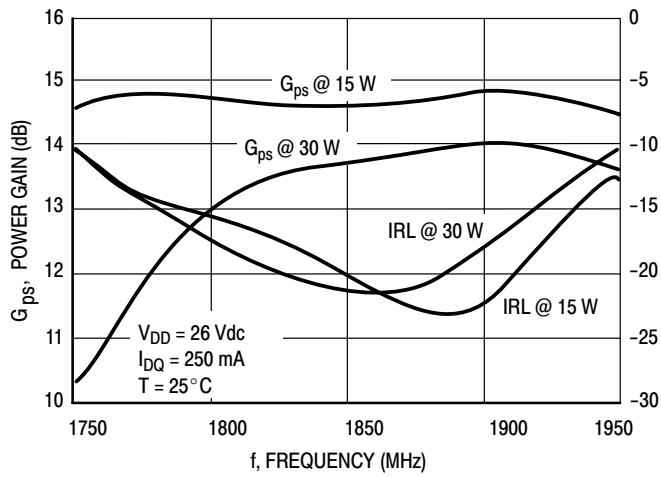


Figure 3. Wideband Gain and IRL at 30 W and 15 W Output Power

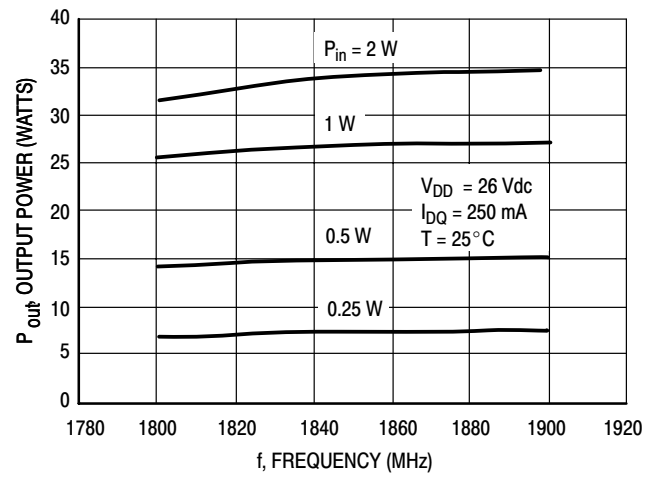


Figure 4. Output Power versus Frequency

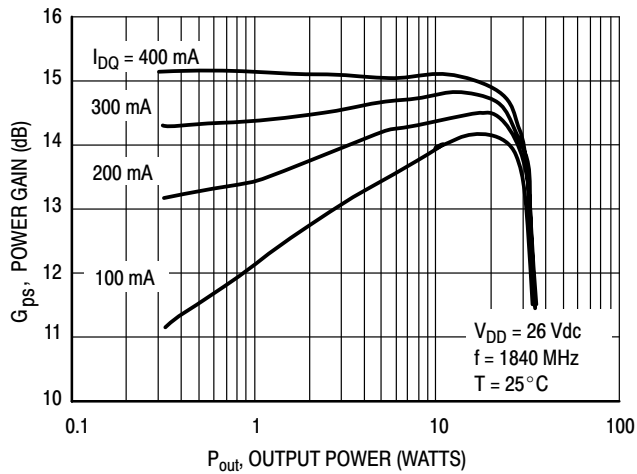


Figure 5. Power Gain versus Output Power

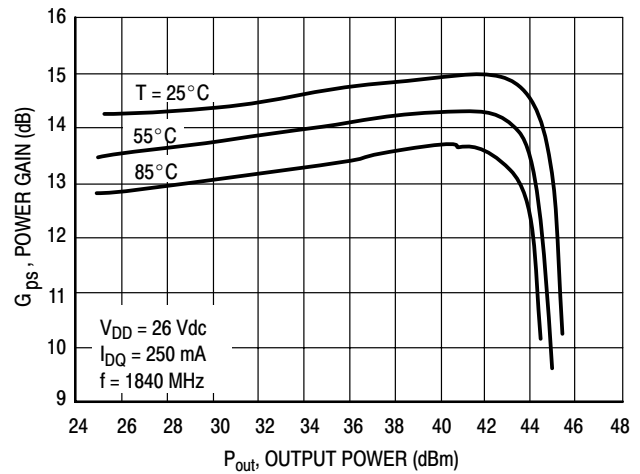


Figure 6. Power Gain versus Output Power

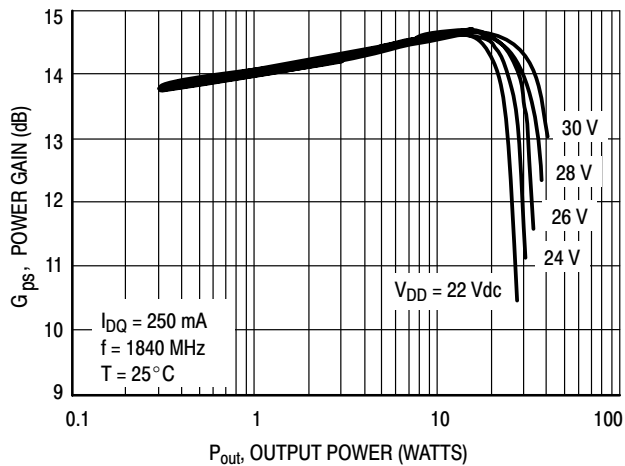


Figure 7. Power Gain versus Output Power

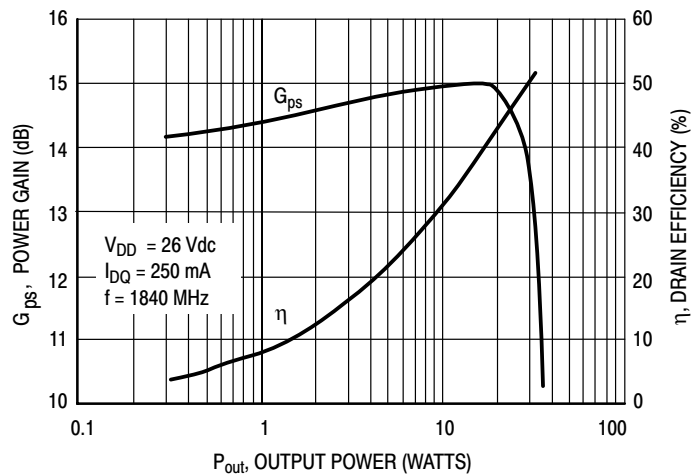
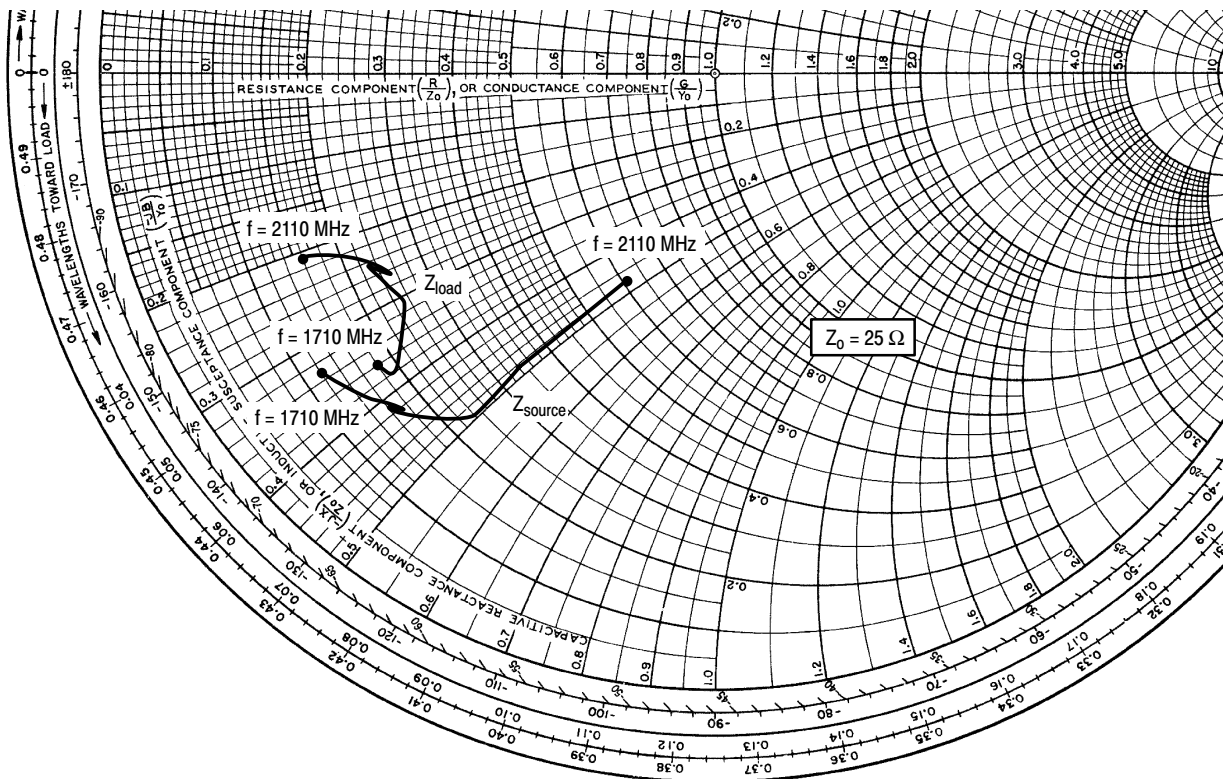


Figure 8. Power Gain and Efficiency versus Output Power



$V_{DD} = 26\text{ V}$, $I_{DQ} = 250\text{ mA}$, $P_{out} = 30\text{ W (CW)}$

f MHz	Z_{source} Ω	Z_{load} Ω
1710	$2.92 - j8.24$	$4.18 - j9.06$
1785	$3.84 - j9.75$	$4.59 - j9.46$
1805	$4.15 - j10.38$	$4.98 - j9.06$
1840	$4.04 - j10.22$	$6.10 - j7.63$
1880	$6.12 - j12.29$	$5.83 - j6.89$
1960	$6.20 - j12.29$	$5.55 - j6.33$
1990	$8.61 - j12.10$	$5.93 - j6.66$
2110	$15.19 - j11.85$	$3.82 - j5.33$

Z_{source} = Test circuit impedance as measured from gate to ground.

Z_{load} = Test circuit impedance as measured from drain to ground.

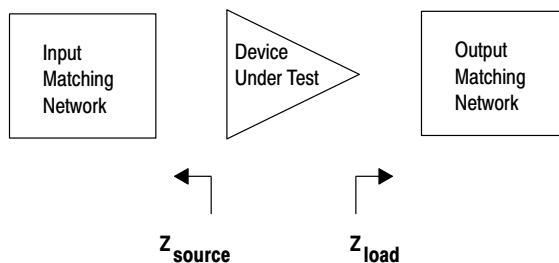


Figure 9. Series Equivalent Source and Load Impedance

MRF18030ALR3 MRF18030ALSR3

NOTES

How to Reach Us:

Home Page:

www.freescale.com

E-mail:

support@freescale.com

USA/Europe or Locations Not Listed:

Freescale Semiconductor
Technical Information Center, CH370
1300 N. Alma School Road
Chandler, Arizona 85224
+1-800-521-6274 or +1-480-768-2130
support@freescale.com

Europe, Middle East, and Africa:

Freescale Halbleiter Deutschland GmbH
Technical Information Center
Schatzbogen 7
81829 Muenchen, Germany
+44 1296 380 456 (English)
+46 8 52200080 (English)
+49 89 92103 559 (German)
+33 1 69 35 48 48 (French)
support@freescale.com

Japan:

Freescale Semiconductor Japan Ltd.
Headquarters
ARCO Tower 15F
1-8-1, Shimo-Meguro, Meguro-ku,
Tokyo 153-0064
Japan
0120 191014 or +81 3 5437 9125
support.japan@freescale.com

Asia/Pacific:

Freescale Semiconductor Hong Kong Ltd.
Technical Information Center
2 Dai King Street
Tai Po Industrial Estate
Tai Po, N.T., Hong Kong
+800 2666 8080
support.asia@freescale.com

For Literature Requests Only:

Freescale Semiconductor Literature Distribution Center
P.O. Box 5405
Denver, Colorado 80217
1-800-441-2447 or 303-675-2140
Fax: 303-675-2150
LDCForFreescaleSemiconductor@hibbertgroup.com

Information in this document is provided solely to enable system and software implementers to use Freescale Semiconductor products. There are no express or implied copyright licenses granted hereunder to design or fabricate any integrated circuits or integrated circuits based on the information in this document.

Freescale Semiconductor reserves the right to make changes without further notice to any products herein. Freescale Semiconductor makes no warranty, representation or guarantee regarding the suitability of its products for any particular purpose, nor does Freescale Semiconductor assume any liability arising out of the application or use of any product or circuit, and specifically disclaims any and all liability, including without limitation consequential or incidental damages. "Typical" parameters that may be provided in Freescale Semiconductor data sheets and/or specifications can and do vary in different applications and actual performance may vary over time. All operating parameters, including "Typicals", must be validated for each customer application by customer's technical experts. Freescale Semiconductor does not convey any license under its patent rights nor the rights of others. Freescale Semiconductor products are not designed, intended, or authorized for use as components in systems intended for surgical implant into the body, or other applications intended to support or sustain life, or for any other application in which the failure of the Freescale Semiconductor product could create a situation where personal injury or death may occur. Should Buyer purchase or use Freescale Semiconductor products for any such unintended or unauthorized application, Buyer shall indemnify and hold Freescale Semiconductor and its officers, employees, subsidiaries, affiliates, and distributors harmless against all claims, costs, damages, and expenses, and reasonable attorney fees arising out of, directly or indirectly, any claim of personal injury or death associated with such unintended or unauthorized use, even if such claim alleges that Freescale Semiconductor was negligent regarding the design or manufacture of the part.

Freescale™ and the Freescale logo are trademarks of Freescale Semiconductor, Inc. All other product or service names are the property of their respective owners.
© Freescale Semiconductor, Inc. 2006. All rights reserved.

