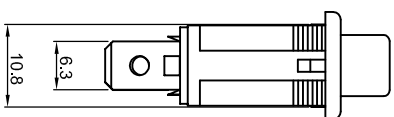
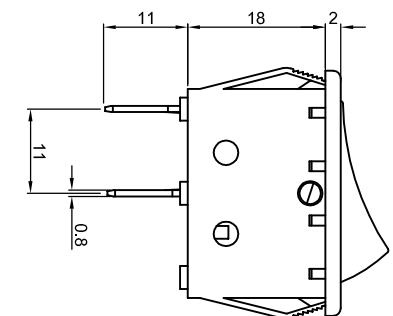
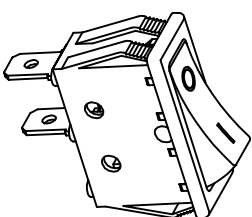
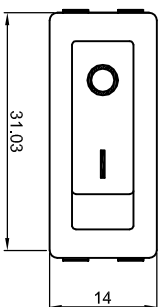


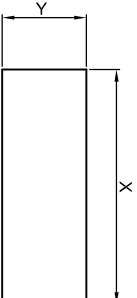


R-1

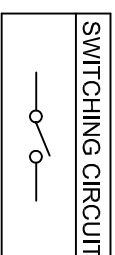


Rating: 16A 125V AC (UL CUL )  
 16A 250V AC (UL CUL VDE ENEC CB CQC)  
 Contact Resistance: 50m Ω (Max)  
 Insulation Resistance: DC 500V 100M Ω (Min)  
 Dielectric Strength: AC1500V 1 minute  
 Dielectrical life: 10,000 cycles  
 Operating Temperature: 0℃~85℃  
 Safety Approval:   
 Function: ON-OFF

CUT-OUT



	X	Y
	30.0+0.1	11.0+0.1
	30.2+0.1	11.0+0.1
	30.4+0.1	11.0+0.1



MATERIAL:

Body:Nylon66, UL rated:94V-2 min

Actuator:Nylon66, UL rated:94V-2 min

Terminal:Brass,silver or tin plated

Marking

X	柄	0	1	2	3	4	5	7
	None							

公差 TOLERANCES X±0.3 .XX±0.15

角度 ANGLE ±1° 单位 DIMENSION UNIT mm.

版本 VER.	变更说明 CHANGE DESCRIPTION	日期 DATE	ECN NO.	核准 APPROVED BY	核对 CHECKED BY	日期 DATE	绘图 DRAWN BY	品名 TITLE	图号 DRAWING NO
A0	New Issue	2009.02.26	N/A	Xinchoo_Lee	Gokey_Guo	2009.02.26	Gokey_Guo	R-1-110-C5N-BB	R-1-110-C5N-BB_A0