

SOLDER PAD LAYOUT

TOP VIEW

PAD	CONNECTION
1	Enable / disable or Not connected
2	Not connected
3	Ground
4	Output 1
5	Output 2
6	Supply

Scale 2:1

Specifications

Parameters	Variant		Option Codes
	L	J	
Frequency range: 100 ~ 165MHz	■	■	
Frequency stability*: ±100ppm ±50ppm ±25ppm	■ □ □	■ □ □	B A
Operating temperature range: -10 to +70°C -40 to +85°C	■ □	■ □	I
Storage temperature range: -40 to +85°C	■	■	
Supply voltage (V_{DD}): +3.3V (±5%) +2.5V (±5%)	■	■	
Supply current: 70mA max, 50mA typ	■	■	
Output: LVDS	■	■	
Offset voltage: 1.25V typ	■	■	
Differential output voltage: 0.33V typ	■	■	
Output load: 100Ω	■	■	
Start up time: 10ms max	■	■	
Waveform symmetry: 45:55 max @ 50%V _{p,p}	■	■	
Rise / fall time: 1.0ns max (20 ~ 80%V _{p,p})	■	■	
Enable / disable function: Tristate (control via pad 1) None (pad 1 not connected)	■ □	■ □	N
Output enable / disable time: 20 ms / 200ns max	■	■	
Stand-by current: 30μA max	■	■	
Period jitter RMS: 5ps max, 3ps typ	■	■	

■ Standard. □ Optional - Please specify required code(s) when ordering

* Frequency stability is inclusive of calibration @ 25°C, operating temperature range, supply voltage change and load change.

Features

- ▶ Differential outputs
- ▶ Enable / disable tristate option
- ▶ Fast rise / fall times
- ▶ Designed for SONET, SDH, IEEE1394 etc

Standard Frequencies

Frequencies in MHz	
100.0000	155.5200
106.2500	156.2500
108.0000	161.1230
125.0000	164.3550
133.0000	

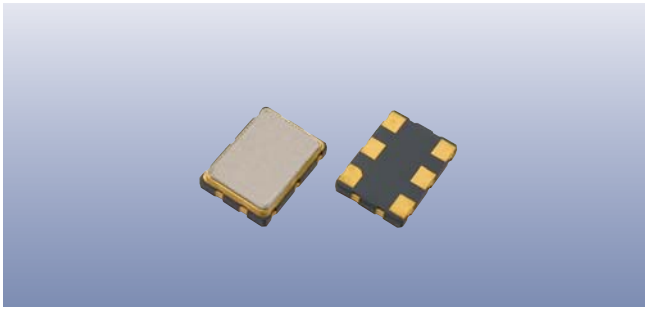
Other frequencies available. Please consult our sales office.

Ordering Information

Product name + variant + option codes (if any) + frequency
 eg: **GXO-L72L 108.0MHz** 3.3V, ±100ppm -10+70°C
GXO-L72J/BI 125.0MHz 2.5V, ±50ppm -40+85°C
 Option code X (eg GXO-L72L/X) denotes a custom spec.

Enable / Disable Function

Input (pad 1)	Output 1 (pad 4)	Output 2 (pad 5)
Open '1' level (≥0.7V _{DD}) '0' level (≤0.3V _{DD})	Enabled Enabled High Impedance	Enabled Enabled High Impedance



Construction

- ▬▬▬▬ **Ceramic body with gold-plated pads**
- ▬▬▬▬ **Metal lid, seam sealed**

Composition



This product is lead-free, and is fully compliant with the RoHS directive 2002/95/EC



Packaging & Handling

Production quantities supplied on T & R, 1k pcs per reel.
Small quantities may be supplied on tape (no reel), or in bulk.



◆ Static sensitive product. Observe proper handling precautions

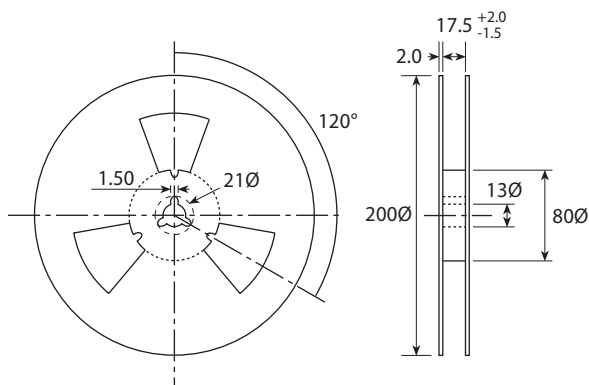
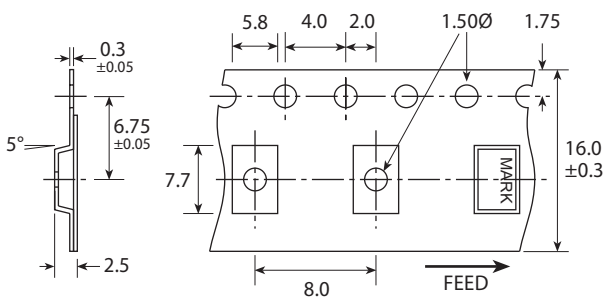
Marking

GOLLEDGE
FREQUENCY
● PARTNO DC

- Pin 1
- Marking type: Laser
- DC = Date code in YM, eg "CE" = May 2003

	A	B	C	D	E	F	G	H	J	K	L	M
Y	1	2	3	4	5	6	7	8	9	0		
M	Jan	Feb	Mar	Apr	May	Jun	Jul	Aug	Sep	Oct	Nov	Dec

Tape & Reel Specification



Not to scale. Dimensions in mm. Tolerances ±0.1mm unless otherwise stated

Soldering Profile

