

ATLANTIC VERSION TERMINATOR INTERFACE ADAPTER. Part numbers 2151496-1 through 7-2151496-7. Description: FINE CRIMP HEIGHT ADJUST, NON-CRIMP HEIGHT ADJUST, CRIMP TOOLING KIT.

APPLICATOR DATA. Table with columns: CRIMP, SIZE, TYPE. Includes crimp instructions and contact info.

TERMINAL DATA: TE TERMINAL. Includes wire strip length, insulation diameter, and terminals applied table.

TERMINAL DATA: TE TERMINAL. Includes wire strip length, insulation diameter, and terminals applied table.

WIRE SIZE. Table with columns: WIRE SIZE, CRIMP HEIGHT mm [INCH], CRIMP HEIGHT REFERENCE SETTING.

- 1. RECOMMENDED SPARE PARTS
2. GREASE BEARING SURFACES LIGHTLY
3. LUBRICATE DAILY PER THE APPLICATOR INSTRUCTION SHEET SUPPLIED WITH THE APPLICATOR.
4. APPLICATOR SPECIFIC DATA TO BE ENTERED INTO BLANK MEMORY CHIP AT ASSEMBLY...

\*WARNING
ON INSTALLATION, SET WIRE DISC, ITEM 40 TO LARGEST WIRE SIZE SETTING. USE OF SETTINGS BELOW MINIMUM REQUIRED CRIMP HEIGHT SETTING WILL CAUSE DAMAGE TO CRIMP TOOLING.

THIS CRIMP PARAMETER IS PROVIDED TO MEET A CUSTOM AND UNIQUE CUSTOMER REQUIREMENT. IT HAS BEEN EVALUATED AND IS CONDITIONALLY SPECIFIED BY TE CONNECTIVITY...

Table with columns: ITEM NO, PART NO, DESCRIPTION. Lists various components like APPLICATOR SHIM PACK, O-RING, PUSH ROD, etc.

ATLANTIC VERSION
Shown on sheets 1 of 4 & 2 of 4
(Pacific version shown on sheets 3 of 4 & 4 of 4)

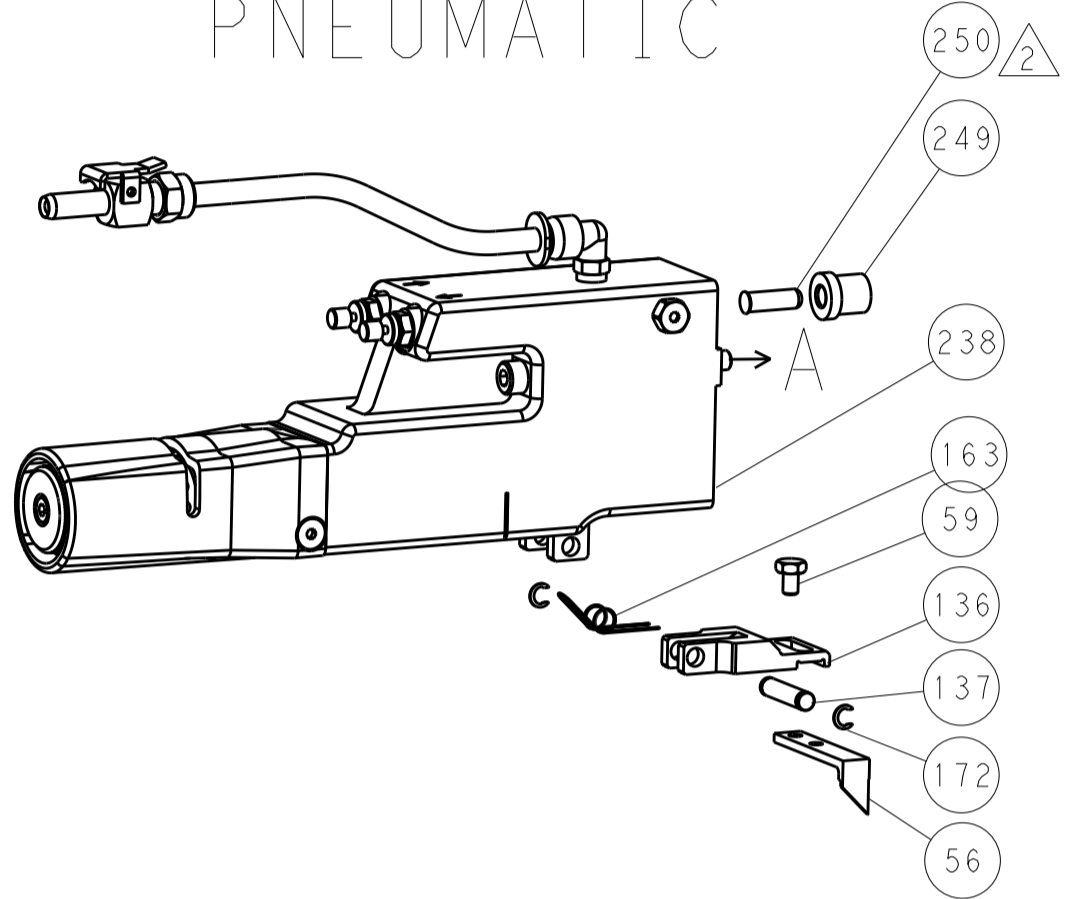
REVISIONS table and large parts list table with columns: QUANTITY, PART NO, DESCRIPTION, DATE, DWN, APVD.

LOC	DIST	REV	DATE	BY	APPV
A	66				
REVISIONS			DATE	BY	APPV
- SEE SHEET 1			-	-	-

### FEED TYPE MECHANICAL



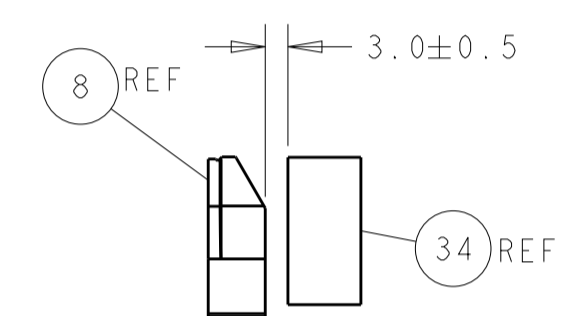
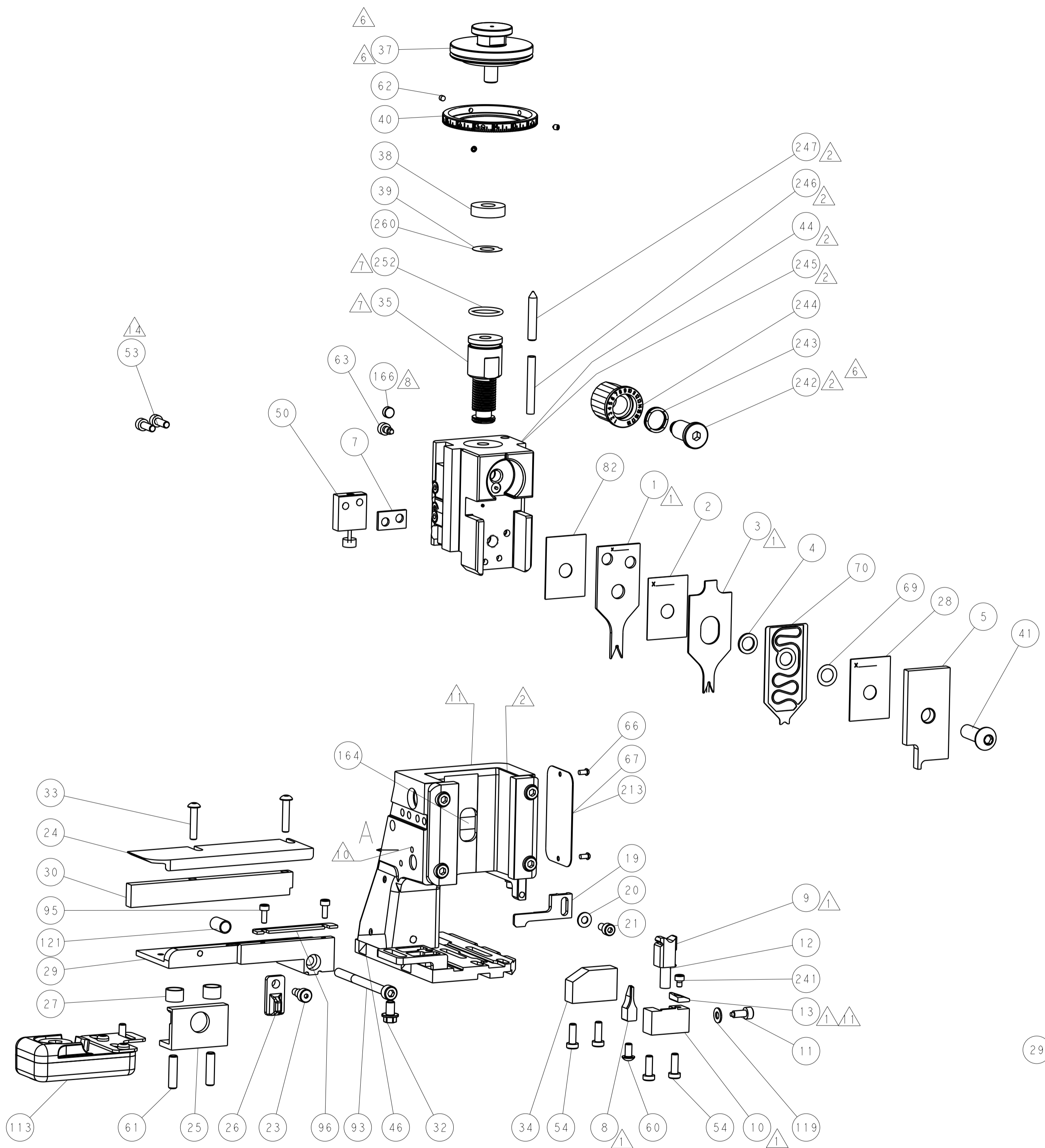
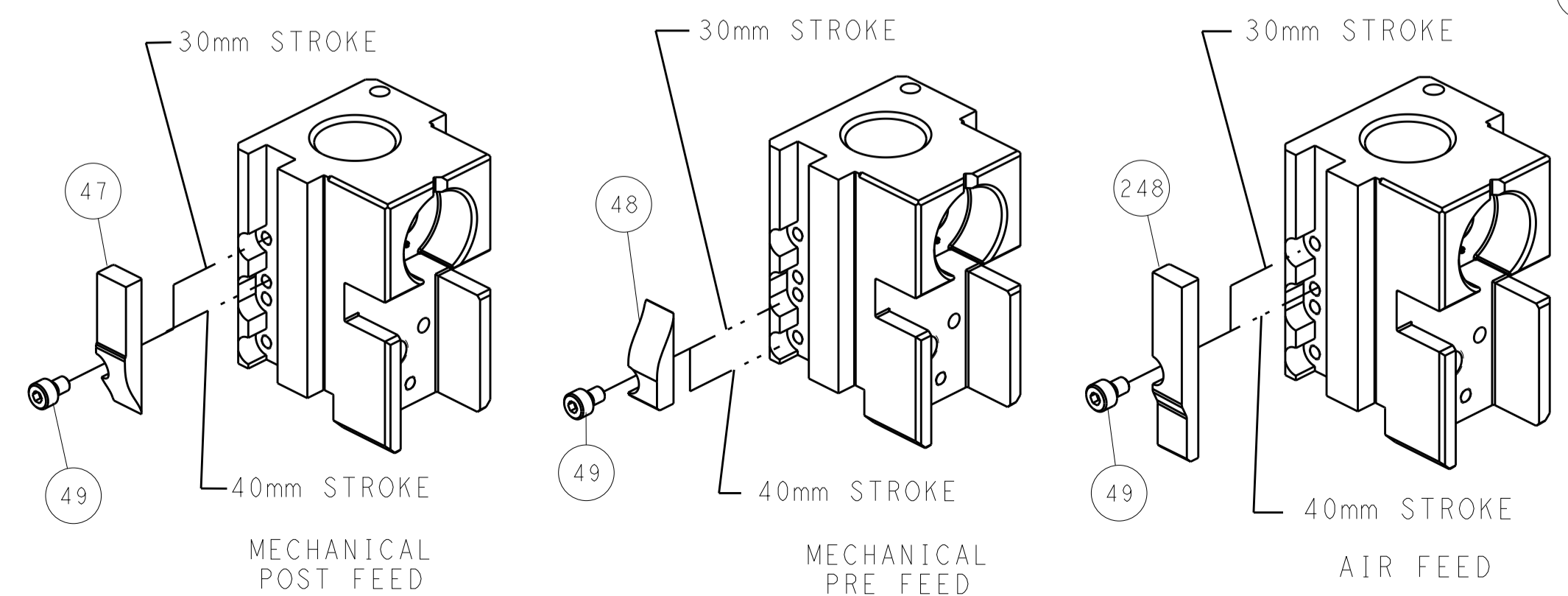
### PNEUMATIC



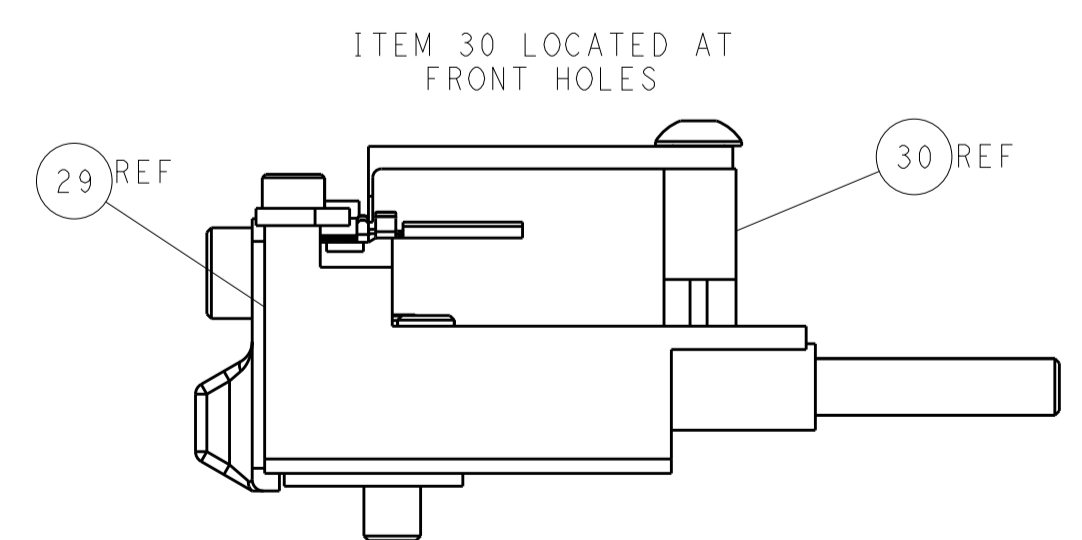
### SERVO LATCH PLATE



### CAM POSITIONS



TERMINAL SUPPORT LOCATION



FEED TRACK POSITION GUIDE BY INSULATION BARREL

**ATLANTIC VERSION**  
 Shown on sheets 1 of 4 & 2 of 4  
 (Pacific version shown on sheets 3 of 4 & 4 of 4)

DIMENSIONS: mm 		TOLERANCES UNLESS OTHERWISE SPECIFIED: 0 PLC ± 1 PLC ± 2 PLC ± 3 PLC ± 4 PLC ± ANGLES ±		DWN B. WEAVER 26SEP2011 CHK G. HOFFNER APVD T. ELBIN 26SEP2011 PRODUCT SPEC APPLICATION SPEC WEIGHT Customer Accessible Production Drawing		NAME Ocean Side Feed Applicator SIZE CAGE CODE DRAWING NO A1 00779 C=2151496 SCALE 1:2 SHEET 2 OF 4 REV J		TE Connectivity Harrisburg, PA 17105-3608	
-----------------------	--	---	--	--	--	---	--	--	--

Table with columns: PART NUMBER, REVISION, DESCRIPTION, FEED TYPE. Includes a diagram of the Pacific Version Terminator Interface Adapter.

APPLICATOR DATA table with columns: CRIMP, SIZE, TYPE. Includes APPLICATOR INSTRUCTIONS 408-10389.

TERMINAL DATA: TE TERMINAL TE CRIMP SPECIFICATION table. Includes WIRE STRIP LENGTH and INSULATION DIAMETER RANGE.

TERMINALS APPLIED table with columns: TE TERMINAL, TE TERMINAL, TE TERMINAL, TE TERMINAL.

WIRE SIZE table with columns: WIRE SIZE, CRIMP HEIGHT mm [INCH], CRIMP HEIGHT REFERENCE SETTING.

- RECOMMENDED SPARE PARTS
GREASE BEARING SURFACES LIGHTLY
LUBRICATE DAILY PER THE APPLICATOR INSTRUCTION SHEET SUPPLIED WITH THE APPLICATOR.
APPLICATOR SPECIFIC DATA TO BE ENTERED INTO BLANK MEMORY CHIP AT ASSEMBLY.
ADJUSTMENT OF THE STRIPPER MAY BE REQUIRED WHEN MOVING THE APPLICATOR BETWEEN BENCH AND LEADMAKER APPLICATIONS.
APPLY PART NUMBER 1-23419-5 LOCTITE TO THREADS OF ITEM 62.

TERMINAL DATA: TE TERMINAL TE CRIMP SPECIFICATION table. Includes WIRE STRIP LENGTH and INSULATION DIAMETER RANGE.

WIRE SIZE table with columns: WIRE SIZE, CRIMP HEIGHT mm [INCH], CRIMP HEIGHT REFERENCE SETTING.

\*WARNING
ON INSTALLATION, SET WIRE DISC, ITEM 40 TO LARGEST WIRE SIZE SETTING. USE OF SETTINGS BELOW MINIMUM REQUIRED CRIMP HEIGHT SETTING WILL CAUSE DAMAGE TO CRIMP TOOLING.

THIS CRIMP PARAMETER IS PROVIDED TO MEET A CUSTOM AND UNIQUE CUSTOMER REQUIREMENT. IT HAS BEEN EVALUATED AND IS CONDITIONALLY SPECIFIED BY TE CONNECTIVITY.

CUT LENGTH AT ASSEMBLY.

Table with columns: PART NO, DESCRIPTION, ITEM NO. Lists various components like FINE ADJUST HEAD ASM, PUSH ROD, BUSHING, etc.

PACIFIC VERSION
Shown on sheets 3 of 4 & 4 of 4
(Atlantic version shown on sheets 1 of 4 & 2 of 4)

REVISIONS table with columns: P, LTR, DESCRIPTION, DATE, DWN, APVD.

Main assembly table with columns: P, LTR, DESCRIPTION, DATE, DWN, APVD. Lists numerous parts like MECHANICAL FEED ASSEMBLY, AIR FEED MODULE, TAG IDENTIFICATION, etc.

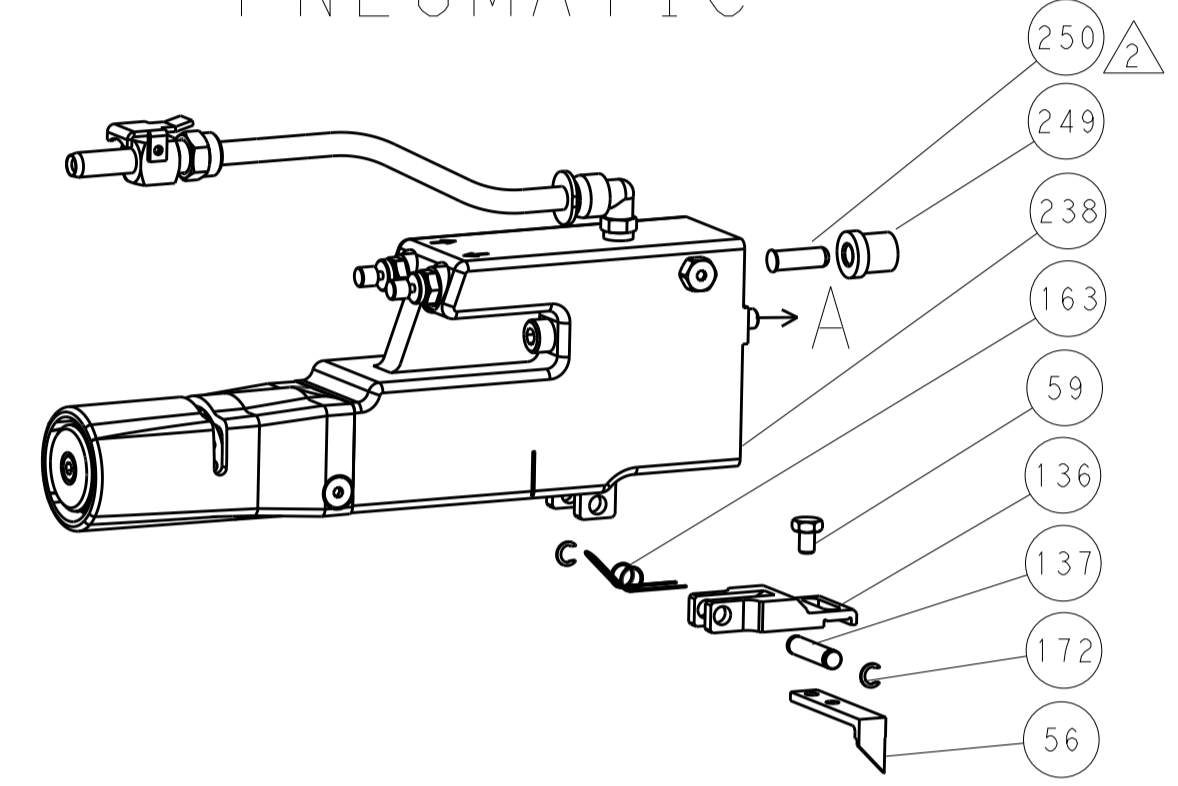
TE Connectivity drawing header with fields: DIMENSIONS, TOLERANCES UNLESS OTHERWISE SPECIFIED, MATERIAL, FINISH, WEIGHT, SCALE, SHEET 3 OF 4.

LOC		DIST		REVISIONS			
A	66	P	LTM	DESCRIPTION	DATE	DWN	APVD
		-		SEE SHEET 1			

# FEED TYPE MECHANICAL



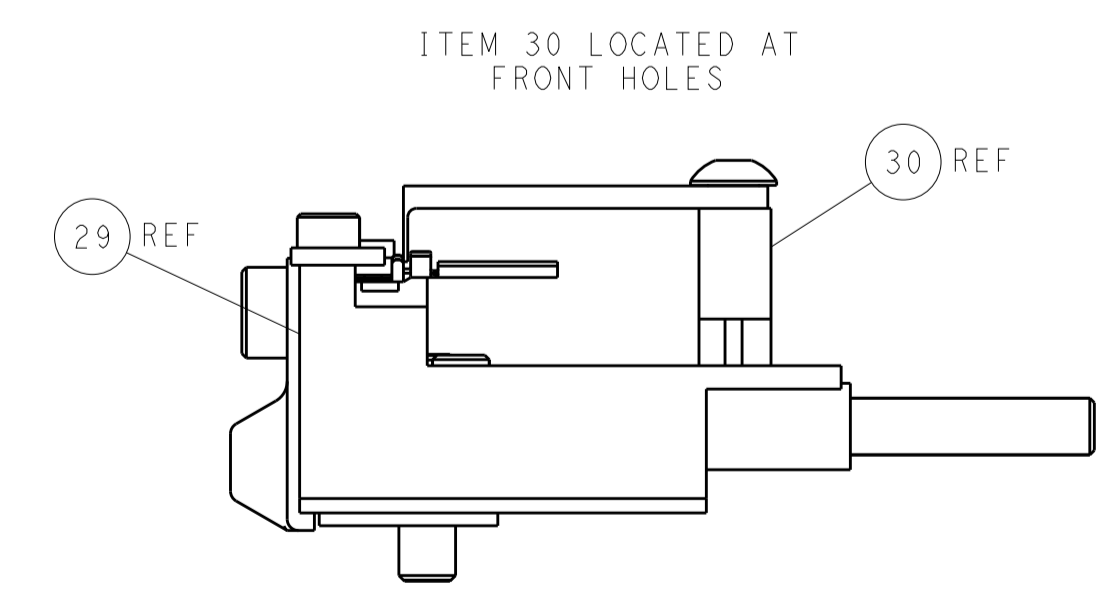
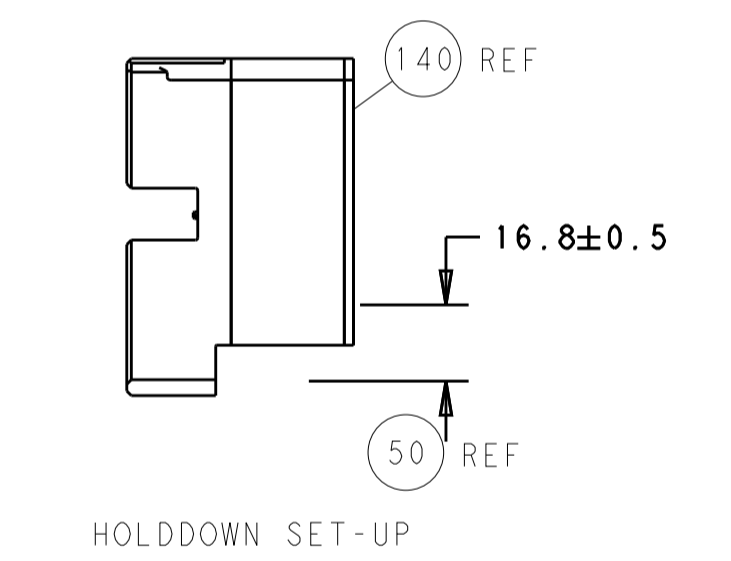
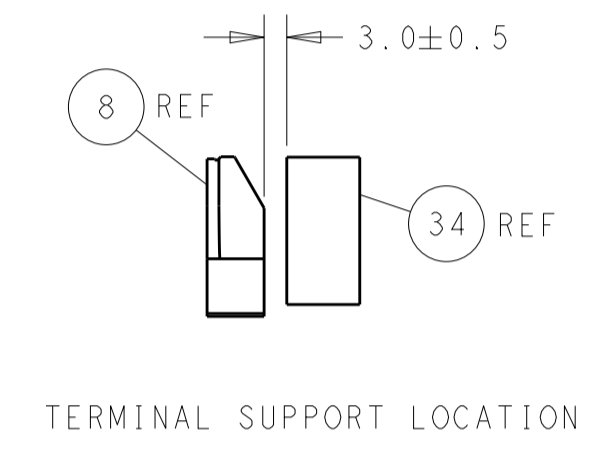
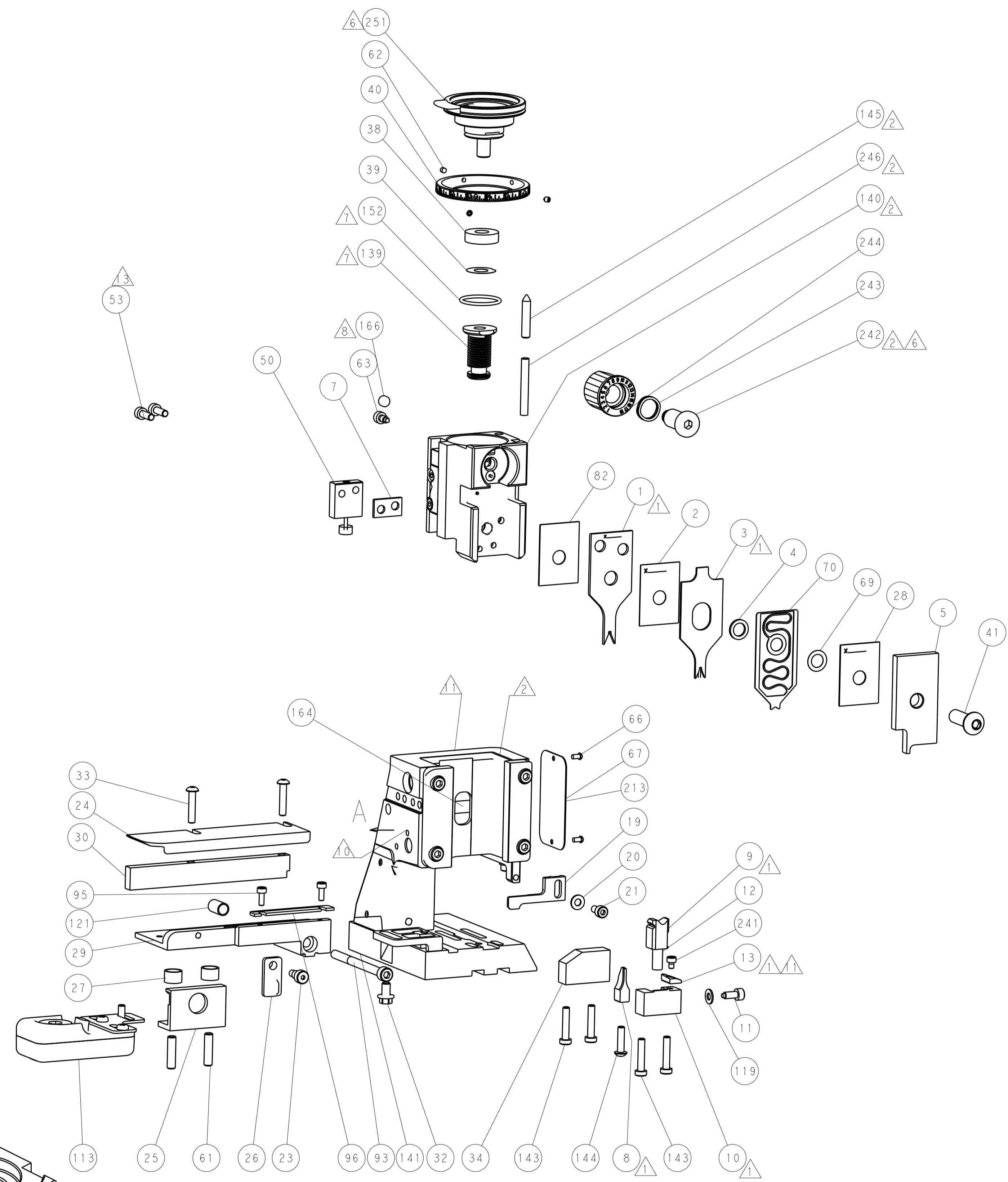
# PNEUMATIC



# SERVO LATCH PLATE



# CAM POSITIONS



**PACIFIC VERSION**  
 Shown on sheets 3 of 4 & 4 of 4  
 (Atlantic version shown on sheets 1 of 4 & 2 of 4)

DIMENSIONS:		TOLERANCES UNLESS OTHERWISE SPECIFIED:		DWN: B. WEAVER 26SEP2011		TE Connectivity	
mm	0 PLC	±		CHK: G. HOFNER 26SEP2011	Harrisburg, PA 17105-3608		
	1 PLC	±		APVD: T. ELBIN 26SEP2011	NAME: Ocean Side Feed Applicator		
	2 PLC	±			SIZE: CAGE CODE DRAWING NO. RESTRICTED TO		
	3 PLC	±			A1 00779 C=2151496		
	4 PLC	±			Customer Accessible Production Drawing		
MATERIAL:	FINISH:	WEIGHT:	SCALE:	SHEET 4 OF 4		REV J	