

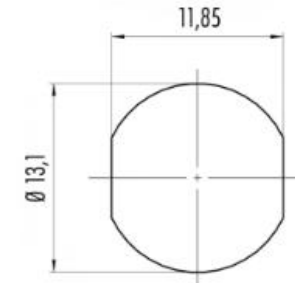
**MATERIAL SPECIFICATIONS:**  
 Body & Housing: PA, UL-94V-HB / UL-94V-0 rated, color white  
 Contacts: Bronze, Gold plated

**MECHANICAL SPECIFICATIONS:**  
 Contacts: 8  
 Durability: >5000 mating cycles.  
 Cable Diameter: 2.5 - 8mm  
 Wire gauge: 24AWG max.

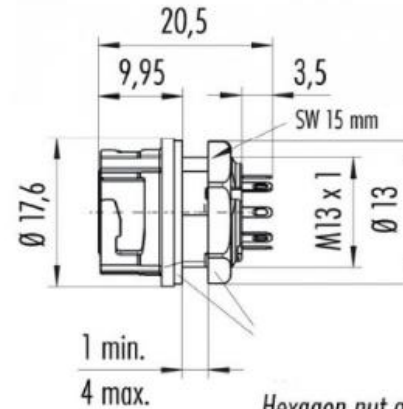
**ELECTRICAL SPECIFICATIONS:**  
 Rated current: 2A per contact  
 Rated voltage: 175V  
 Contact resistance: ≤15 mohms  
 Rated impulse voltage: 1750V

**IEC/UL 61010-1 SPECIFICATIONS:**  
 Material group: I, II  
 Overload category: II  
 Pollution degree: 2

**ENVIRONMENTAL SPECIFICATIONS:**  
 Degree of Protection: IP67 unmated and mated  
 Operating Temperature: -25°C ~ +85°C

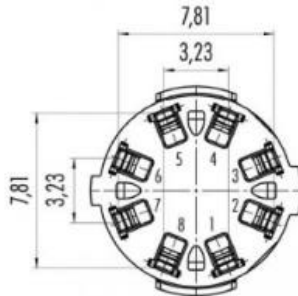


PANEL CUTOUT



*Hexagon nut and flat seal enclosed loose*

RoHS  
COMPLIANT



	X	Y
1	1,62	-3,90
2	3,90	-1,62
3	3,90	1,62
4	1,62	3,90
5	-1,62	3,90
6	-3,90	1,62
7	-3,90	-1,62
8	-1,62	-3,90

TOLERANCE UNLESS OTHERWISE SPECIFIED	
X	± 1
X.X	± 0.4
X.XX	± 0.13

**Power Dynamics, Inc.**

Phone: 973 560-0019 Whippany, New Jersey Fax: 973 560-0076

PART: HARSH ENVIRONMENT CONNECTOR; SERIES 2  
 FEMALE PANEL MOUNT; SOLDER PINS; WHITE

DRAWN BY: PB	DATE: 7/20/16
CHECK BY:	DATE:
APPR BY:	DATE:

PART #	PD-HEC2-FPC-S-W	SHEET	1 of 1
SIZE:	A	ALL DIMENSIONS FOR REFERENCE ONLY	REV:
SCALE:	NTS	DIMENSIONS ARE IN MILLIMETERS	

REVISIONS	CHNG	CHK	APPR
	CHANGE		
REV	DATE		