

GT-TC149X-HXXX-LX

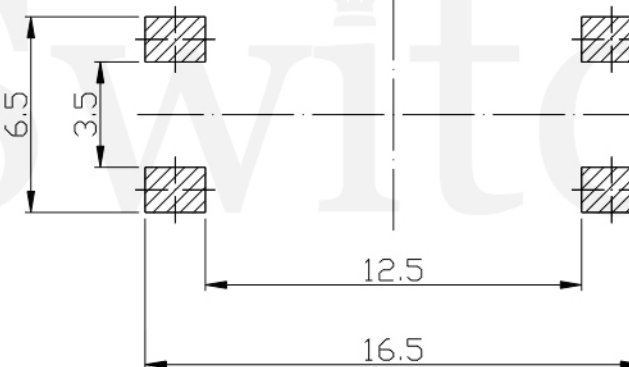
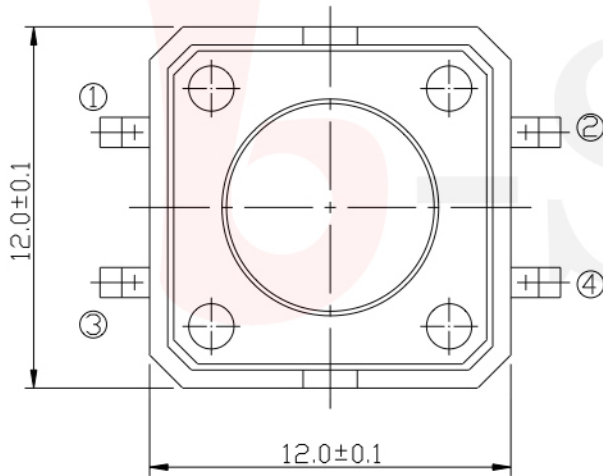
G-SWITCH

Operating Force
 A=160gf
 B=250gf
 C=100gf
 D=350gf

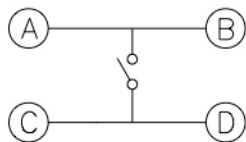
Switch lifetime (Force)
 L05=50,000 Cycles(D)
 L1=100,000 Cycles((A, B, C)
 L3=300,000 Cycles(A, C)
 L5=500,000 Cycles(A, C)

Switch Height (mm)
 H043=4.3 H045=4.5
 H050=5.0 H055=5.5
 H060=6.0 H065=6.5
 H070=7.0 H075=7.5
 H080=8.0 H085=8.5
 H090=9.0 H095=9.5
 H100=10.0 H105=10.5
 H110=11.0 H115=11.5
 H120=12.0 H125=12.5
 H130=13.0 H135=13.5
 H140=14.0 H145=14.5
 H150=15.0 H155=15.5
 H160=16.0 H165=16.5

G-Switch Specification: H170=17.0...
 Operating temperature range : -30°Cto+85°C
 Rating : 50mA.12V DC
 Insulation resistance : 100MΩ min.100V DC
 Dielectric strength : 250V AC for 1 min
 Contact resistance : 100m Ω max.
 Travel:0.35±0.1mm



P.C.B LAND DIMENSION



电路简图
SCHEMATIC



G-Switch Electronic (HongKong) CO.,Ltd

| | | | | |
|--|---|-----------------|--------------------------|------------|
| Unless otherwise specified, Tolerance: X. ±0.30 X.x ±0.20 X.xx ±0.15 X.xxx ±0.10 Angles ±3° | DESIGN FengFengChen | DATE 2019.05.29 | Molde code: | |
| | CHECKED | DATE | GT-TC149X-HXXX-LX | |
| | APPROVED | DATE | | |
| | http://www.dg-switch.com | | REV.: X1 | SCALE: 4:1 |
| TEL:0769-82388879 | | SIZE: A4 | SHEET: 1/1 | |