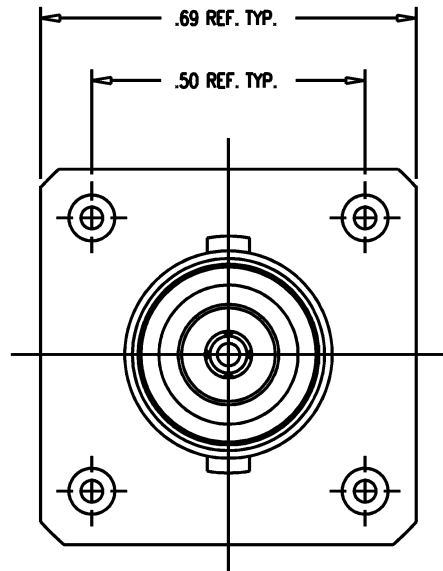
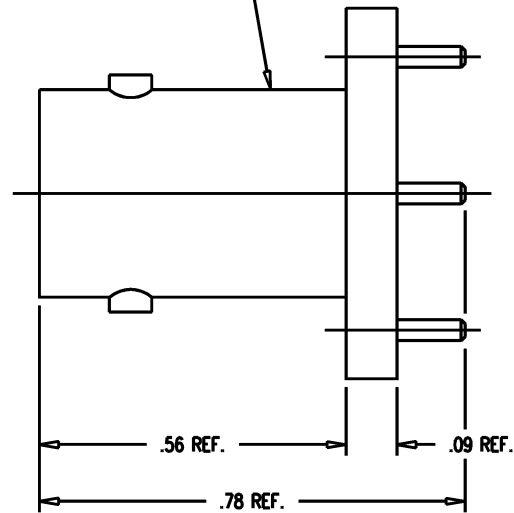


GSD



STAMP: KINGS KC-79-07
YRWK (DATE CODE)



NOTES:

1. INTERFACE PER MIL-STD-348, FIG. 301-2.
2. MATERIALS:
INSULATOR: TEFLON, ASTM-D-4894
CENTER CONTACT: BER. COP., ASTM-B-196
ALL OTHER METAL PARTS: BRASS, ASTM-B16
3. FINISHES:
ALL METAL PARTS: SILVER PLATE PER QQ-S-365
4. ELECTRICAL CHARACTERISTICS:
NOMINAL IMPEDANCE: 50 OHMS
FREQUENCY RANGE: DC TO 4 GHZ
WORKING VOLTAGE: 500 VRMS

KC-79-07

REVISIONS

ISSUE	CHANGES
5	CN 36272 C REDRAWN KH 05/03/95
6	CN 38203 E TML 02/15/01

WAS: KAM5622 KC7907S

SCALE 4:1

APPROX SURFACE AREA

USED ON

REF: WESTING HOUSE ELECT. C-54B7000H03-J

RECP, BNC

DRAWN KH 05/03/95

DESIGN MJB 05/04/95

APPR. DATE

KINGS
ELECTRONICS CO., INC.
ROCK HILL, SOUTH CAROLINA 29730

GSD

KC-79-07