

APPROVAL SPECIFICATIONS

Title. NANO SIM+NANO SIM+TF三選二卡座

Product Model. MCS-303

Customer's Part NO.

Customer's Model:

Customer's Approval Requested.

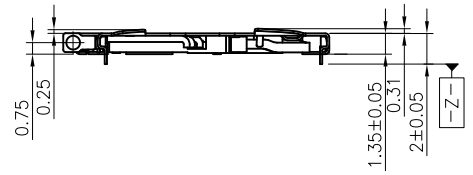
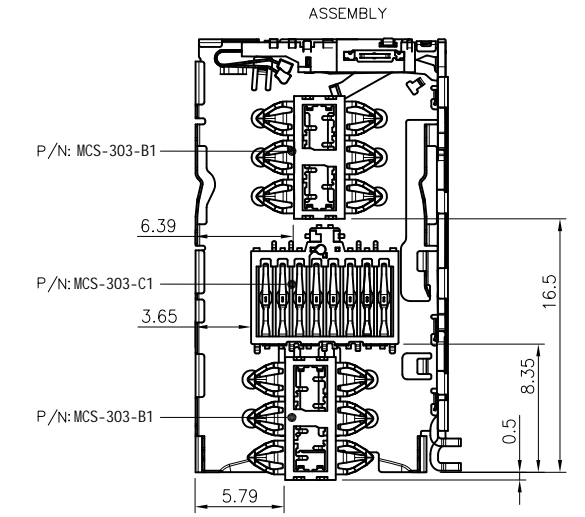
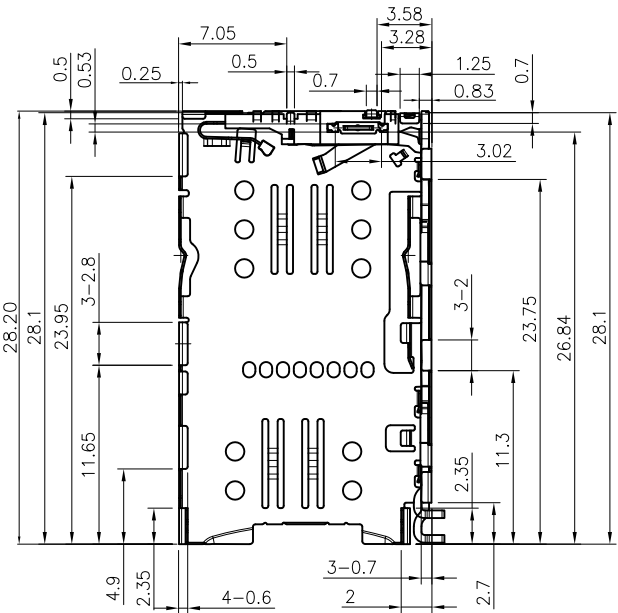
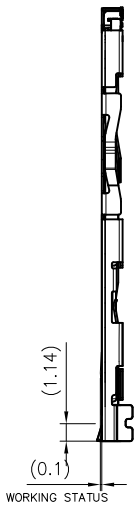
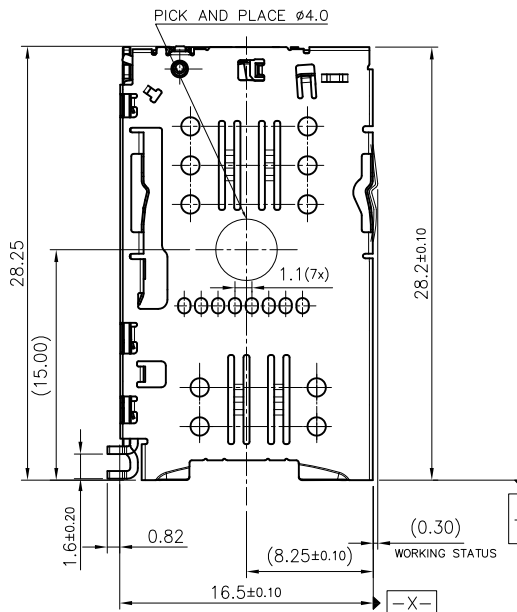
Please return this copy as a certification of your approval.

Checked by: _____ Date: _____

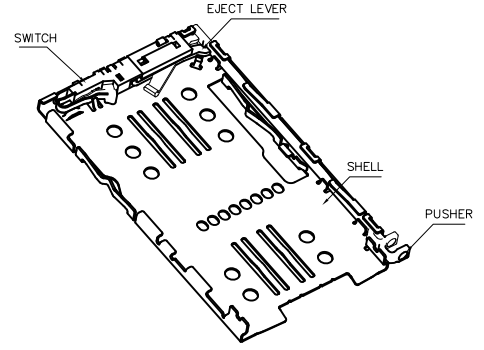
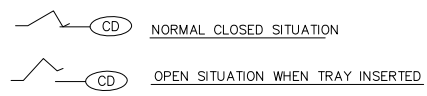
Approved by: _____ Date: _____

APPROVE	REVIEW	POLT
王凯	林永坚	陈旺

XUNPU ELECTRONICS CO.,LTD



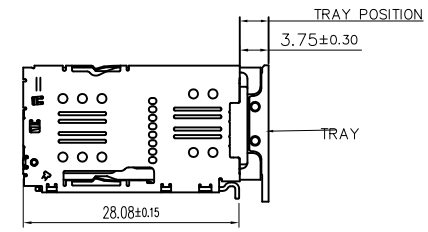
Timing sequence
When tray insert first time, Detect Sw. is activated



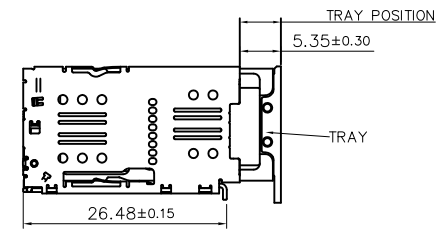
ISOMETRIC VIEW

SPECIFICATION

CONTACT RESISTANCE (data) $\leq 100\text{ m}\Omega$ INITIAL
 INSULATION RESISTANCE >math>\geq 1000\text{M}\Omega</math>
 HIGH VOLTAGE RESISTANCE 500 V AC 1 MINUTE
 OPERATING VOLTAGE (SELV) 10 V DC
 PEAK CURRENT Max.0.5 A
 OPERATING TEMPERATURE -20°C/+85°C
 STORAGE TEMPERATURE -20°C/+85°C
 "RoHS" COMPLIANT
 MECHANICAL LIFETIME Min.3000 MATING CYCLE
 CONTACT FORCE 0.2N
 CO-PLANARITY Max.0,08 MM BEFORE REFLOW
 Max.0,10 MM AFTER REFLOW



MATED POSITION



EJECTED POSITION

Item	Description	Q'TY	Material	Finished
1	Switch Block	1	LCP	Contact area: Gold plating Under plate: 1.25 um Min Ni
	Detect pin	1	SUS	Solder area: Gold plating Under plate: 1.25 um Min Ni
2	Shell	1	SUS	Contact area: Gold plating Under plate: 1.25 um Min Ni Solder area: Gold plating Under plate: 1.25 um Min Ni
3	Pusher	1	SUS	N/A
4	Eject lever	1	SUS	N/A

UNLESS OTHERWISE SPECIFIED TOLERANCES

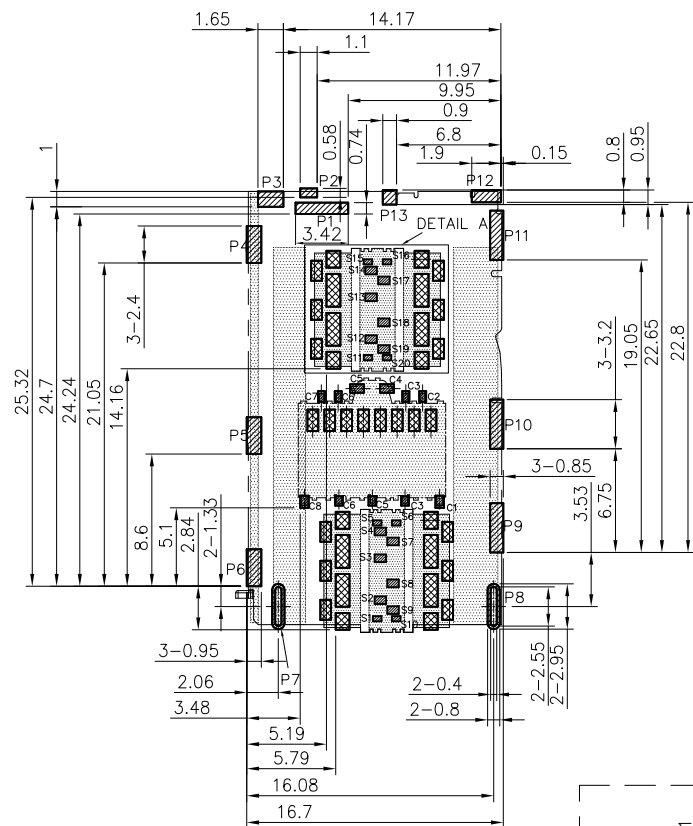
DECIMALS: X :±0.5 X.X :±0.20 X.XX :±0.10

ANGLES: X :±2° X.X :±1°

東莞市訊普電子科技有限公司

TITLE: 1.35H Nano&tf 3in2 with tray (Pin Push)Conn.Assem.
 DWN ALLEN PART NO. MCS-303-A1
 CHKD KEVIN SCALE:1:1 UNII: mm
 APVD ERIC.W SIZE: A3 SHEET:10F 1 REV: A

CUSTOMER COPY



μSD Block Pin Definition

Pin	NAME
C1	DAT2
C2	CD/DAT3
C3	CMD
C4	V _{bb}
C5	CLK
C6	V _{ss}
C7	DAT0
C8	DAT1

SIM Block Pin Definition

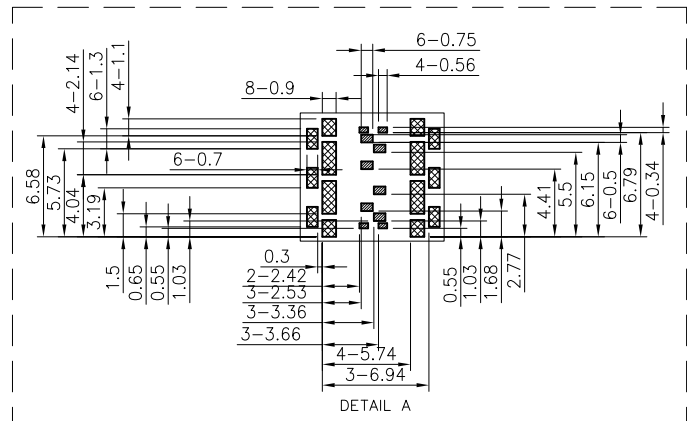
NANO SIM	NAME
S1,S11,S2,S12	V _{cc}
S3,S13	RST
S4,S5,S14,S15	CLK
S6,S7,S16,S17	I/O
S8,S18	V _{pp}
S9,S10,S19,S20	GND

Holder Pin Definition

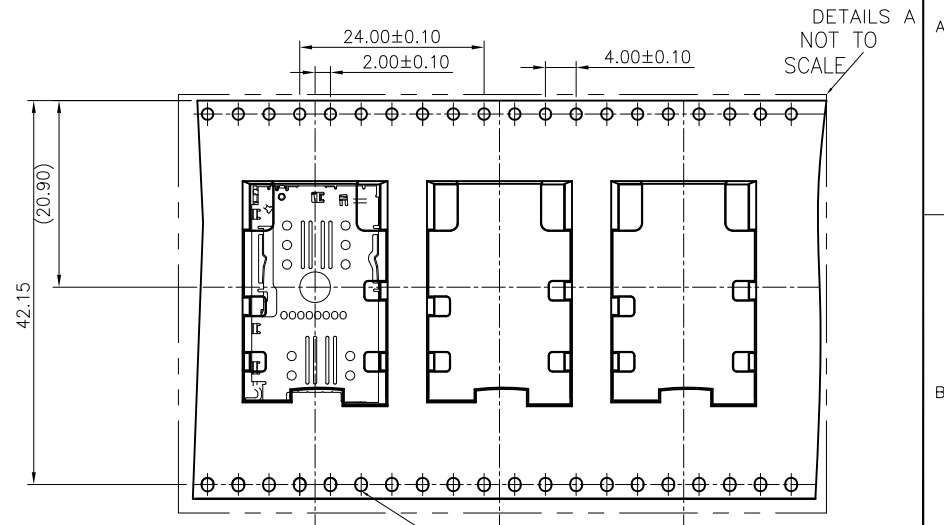
Pin	NAME
P1~P12	Ground
P13	Detect Switch

Recommend PCB Layout
 Recommend tolerance: ±0.05
 Recommend Stencil Thickness: 0.10

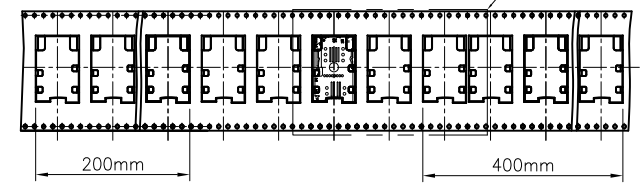
- Soldering Pad area
- Open wire restricted area (possibility touch of components on PCB)
- Connector outline
- Open wire & copper restricted area
 - 1.Touch area of contact tips, No electrical function and only for mechanical function
 - 2.No first PCB-Layer circuits in the area
- None solder Pad area
 - 1.Touch area of contact tips, No electrical function and only for mechanical function
 - 2.Don't brush Tin pasted on the area during SMT process



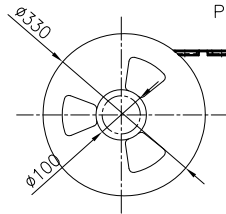
PACKAGING DRAWING



USER DIRECTION OF UNREELING



PACKING DIRECTION



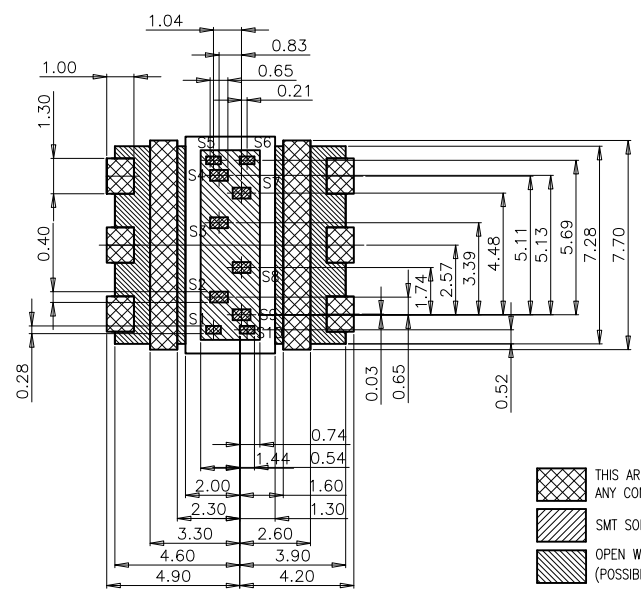
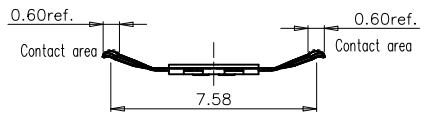
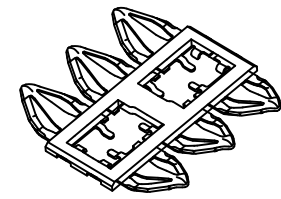
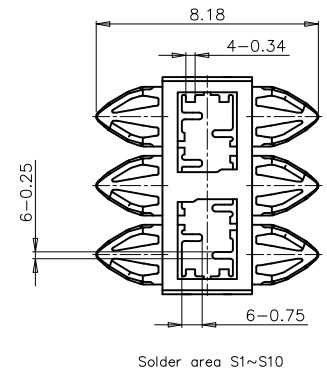
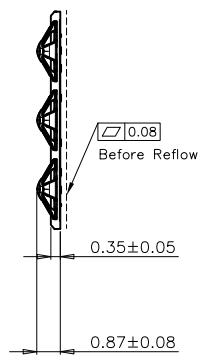
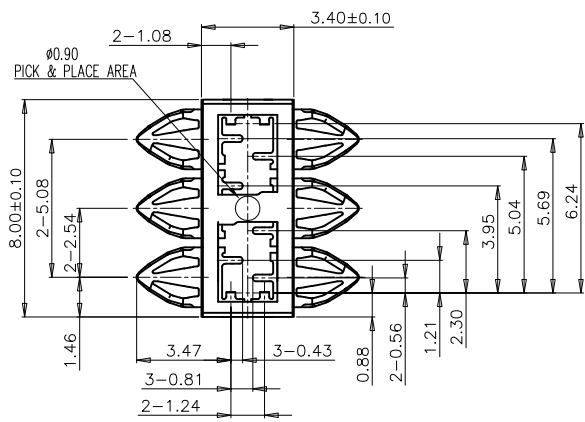
PACKAGE:
 Q'TY: 900PCS/REEL
 LEADER/TRAILER: 400mm/200mm
 13" REEL AND CARRIER TAPE ANTISTATIC

UNLESS OTHERWISE SPECIFIED TOLERANCES

DECIMALS:	ANGLES:
X :±0.5	X :±2°
X.X :±0.20	X.X :±1°
X.XX :±0.10	

東莞市訊普電子科技有限公司

TITLE	1.35H Nano&tf 3in2 with tray (Pin Push)Conn.			
DWN	ALLEN	PART NO.	MCS-303-A1	
CHKD	KEVIN	SCALE:1:1	UNIT: mm	
APVD	ERIC.W	SIZE: A3	SHEET:1OF 1	REV: A
CUSTOMER COPY				



NANO SIM Pin definition

PIN	NAME
S1,S2	Vcc
S3	RST
S4,S5	CLK
S6,S7	I/O
S8	Vpp
S9,S10	GND

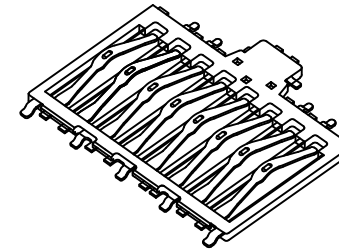
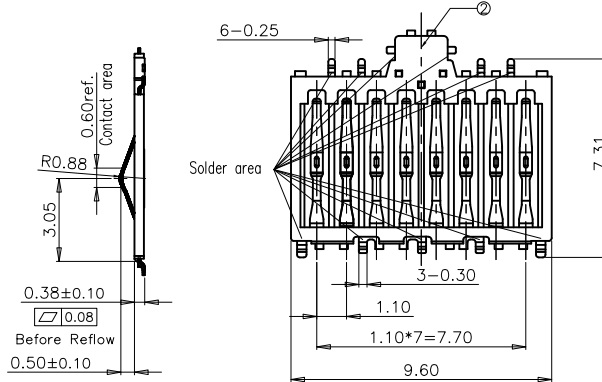
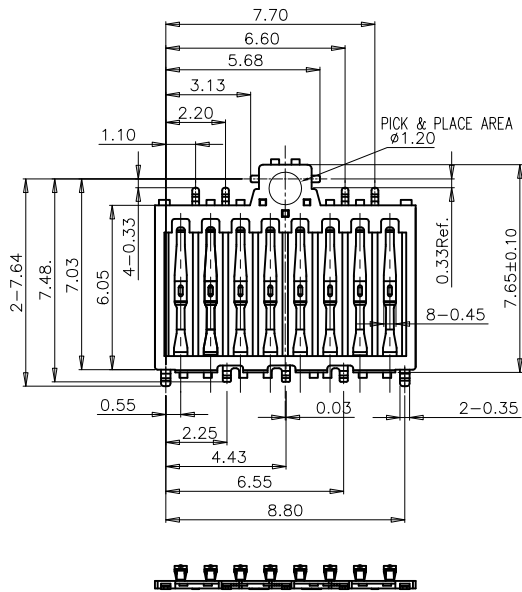
- THIS AREA SHOULD BE FREE OF ANY CONDUCTIVE TRACES
- SMT SOLDER AREA
- OPEN WIRE RESTRICTED AREA (POSSIBLY TOUCH OF COMPONENTS ON PCB)

RECOMMEND PCB LAYOUT (TOLERANCE ±0.05)

- NOTES:
- MATERIAL:SEE TABLE 1.
 - SPECIALITY:
 - Rated current:0.5A Max
 - Rated voltage:10V DC
 - Contact Resistance:60mΩ MAX
 - Insulation Resistance:1000MΩ MIN 500V DC
 - Dielectric withstanding voltage: 500V AC 1 MINUTE.
 - Solder ability:245±5°C, 5±0.5s.
 - Durability:3000 Cycles Min.
 - Operating condition:Temperature-20°C~+85°C; Humidity 80% R.H MAX
 - MECHANICAL:
 - Contact Force:0.2N Min

②	Housing	1	LCP 6808	COLOUR:BLACK	UL 94V-0
①	Contact	1	NKT-322	Contact area:Plating Au 0.25um min Solder area:Plating Au 0.025um min Under Plating:Ni 1.25um min	T=0.08±0.01mm
NO.	PART NAME	QTY	MATERIAL	DESCRIPTION	REMARK

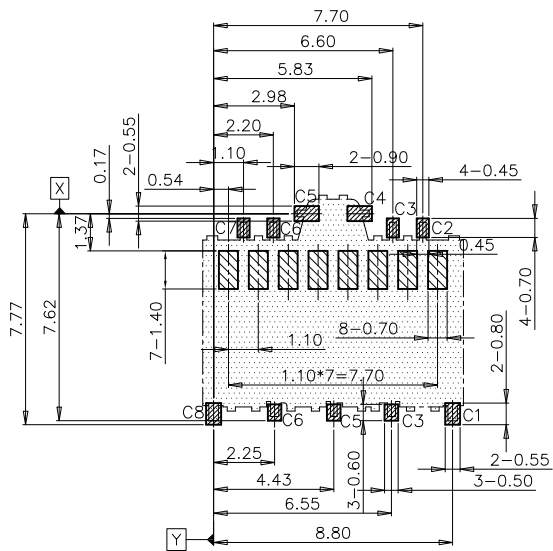
UNLESS OTHERWISE SPECIFIED TOLERANCES		東莞市訊普電子科技有限公司			
DECIMALS:	ANGLES:	TITLE	0.3H SIM CARD CONN.		
X :±0.5	X :±2°	DWN	ALLEN	PART NO.	MCS-303-B1
X.X :±0.20	X.X :±1°	CHKD	KEVIN	SCALE:1:1	UNIT: mm
X.XX :±0.10		APVD	ERIC.W	SIZE: A3	SHEET:1OF 1
CUSTOMER COPY					



- NOTES:
- MATERIAL:SEE TABLE 1.
 - SPECIALITY:
 - Rated current:0.5A Max
 - Rated voltage:10V DC
 - Contact Resistance:60mΩ MAX
 - Insulation Resistance:1000MΩ MIN 500V DC
 - Dielectric withstanding voltage: 500V AC 1 MINUTE.
 - Solder ability:245±5°C, 5±0.5s.
 - Durability:3000 Cycles Min.
 - Operating condition:Temperature-20°C~+85°C; Humidity 80% R.H MAX
 - MECHANICAL:
 - Contact Force:0.2N Min

μSD Block Pin Definition

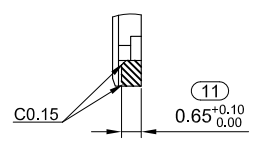
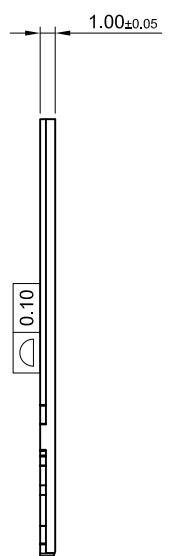
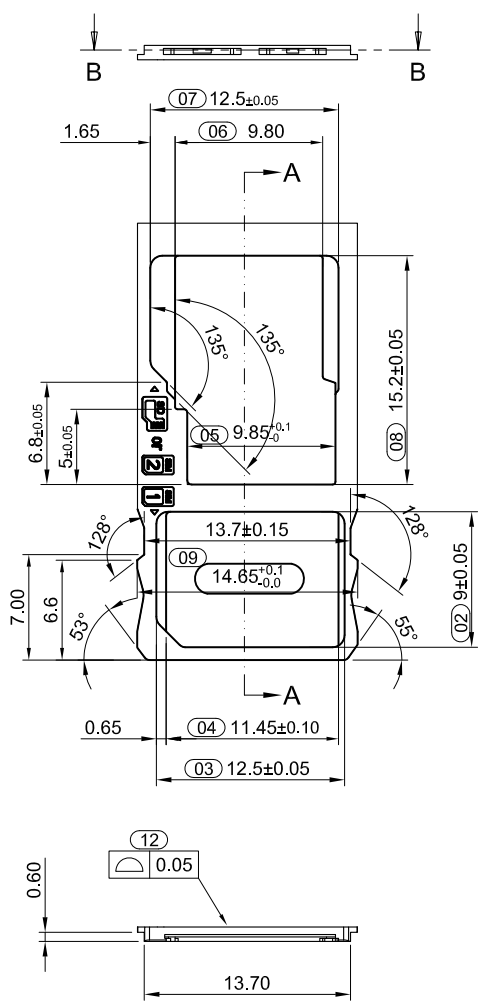
PIN	NAME
C1	DATA2
C2	CD/DATA3
C3	CMD
C4	VCD
C5	CLK
C6	Vss2
C7	DATA0
C8	DATA1



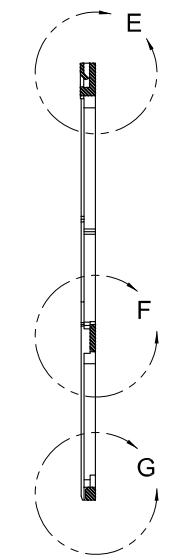
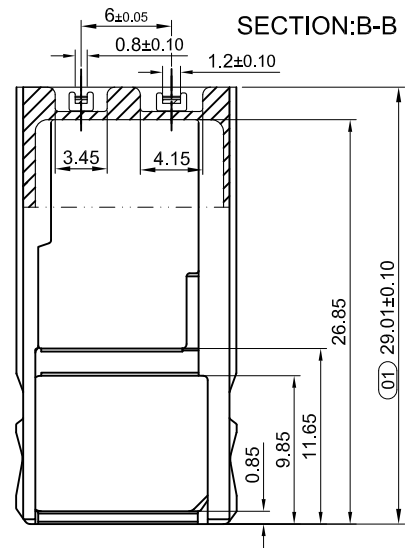
- Soldering Pad area
 - Open wire restricted area (possibly touch of componets on PCB)
 - Connector outline
 - Pad area(only for mechanical function)
1. Touch area of contact tips, no electrical function and only for mechanical function
 2. Don't brush Tin pasted on the area during SMT process.

RECOMMEND PCB LAYOUT (TOLERANCE ±0.05)

②	Housing	1	LCP	COLOUR:BLACK	UL 94V-0
①	Contact	1	COPPER ALLOY	Contact Area: Au 3U*Min, Solder area: Au 1U*Min ;Under plate Ni 50u*Min all over	T=0.08±0.01mm
NO.	PART NAME	QTY	MATERIAL	DESCRIPTION	REMARK
UNLESS OTHERWISE SPECIFIED TOLERANCES				東莞市訊普電子科技有限公司	
DECIMALS:		ANGLES:		TITLE 0.3H Micro SD CARD BLOCK CONN.	
X	:±0.5	X	:±2°	DWN	ALLEN PART NO. MCS-303-C1
X.X	:±0.20	X.X	:±1°	CHKD	KEVIN SCALE:1:1 UNIT: mm
X.XX	:±0.10			APVD	ERIC.W SIZE: A3 SHEET:1OF 1 REV: A1
CUSTOMER COPY					

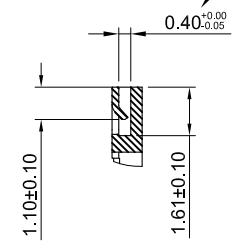


SEE DETAIL:G

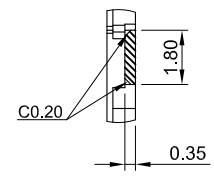


SECTION:A-A

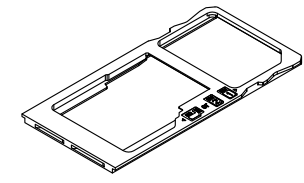
注意:2-配合卡帽该尺寸厚度须加工至0.32±0.02



SEE DETAIL:E



SEE DETAIL:F



- NOTES:
1. 材料：卡托主体SUS304。
 2. 主体：产品表面不得有锋利边，毛刺，压痕，划伤，油污，多料，扭曲变形，裂痕等缺陷。
 3. 尺寸：2D图面未标注公差尺寸，其公差参照公差表，未标注尺寸，参考3D图档，其公差参照公差表。
 4. 标示 (xxx) 的尺寸为重点管控尺寸，
 5. 外观：卡托主体喷黑色绝缘漆；此图纸仅为卡托结构技术图纸，项目所有的不同卡帽不同颜色不同料号，带帽成品料号请于销售人员确认。
 6. 如需“卡帽”设计参考，请参考配套的3D文件里面的参考模型。

UNLESS OTHERWISE SPECIFIED TOLERANCES		東莞市訊普電子科技有限公司			
DECIMALS:	ANGLES:	TITLE	双Nano&TF三选二卡托（单体）冲压件		
X :±0.5	X :±2°	DWN	ALLEN	PART NO.	MCS-303-KT1
X.X :±0.20	X.X :±1°	CHKD	KEVIN	SCALE:1:1	UNIT: mm
X.XX :±0.10		APVD	ERIC.W	SIZE: A3	SHEET:1OF 1
		REV: B			
CUSTOMER COPY					