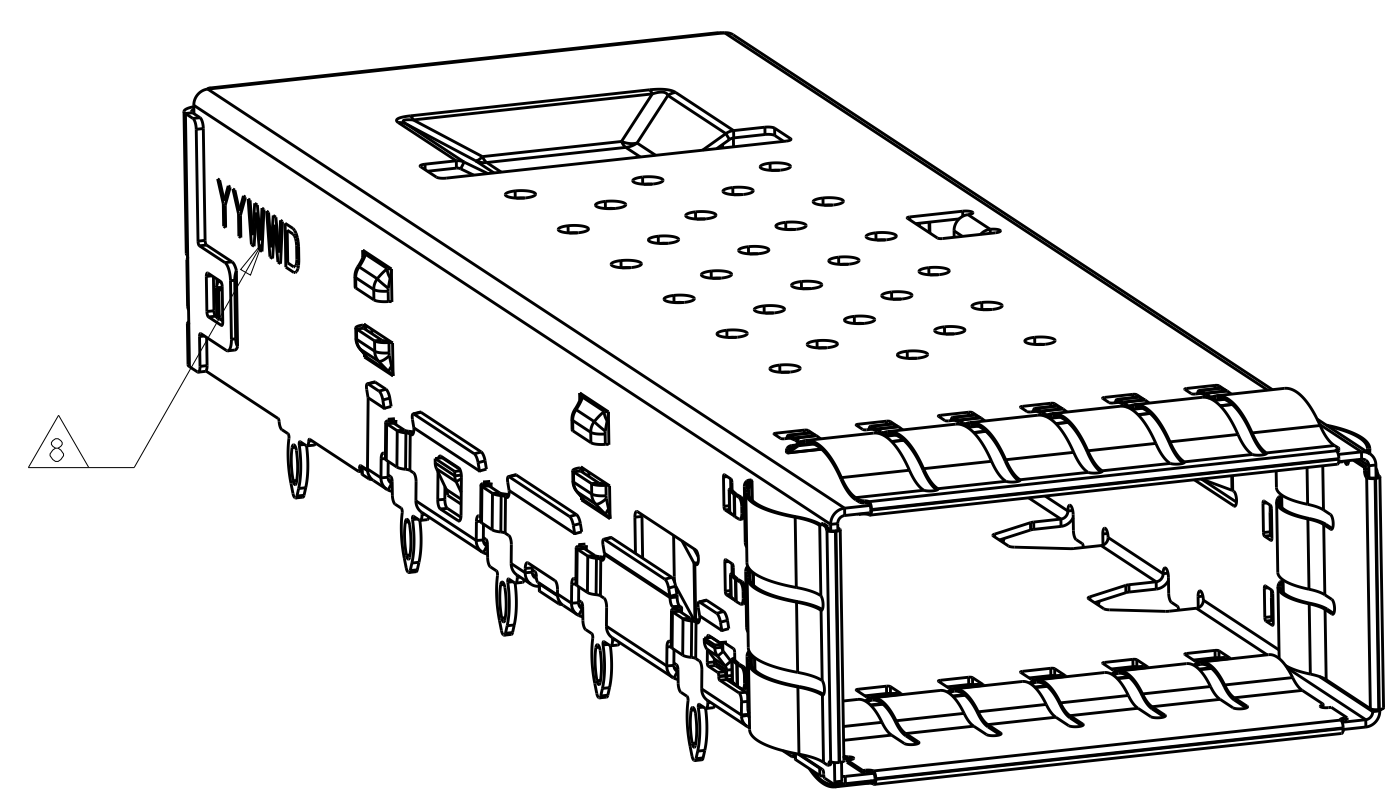
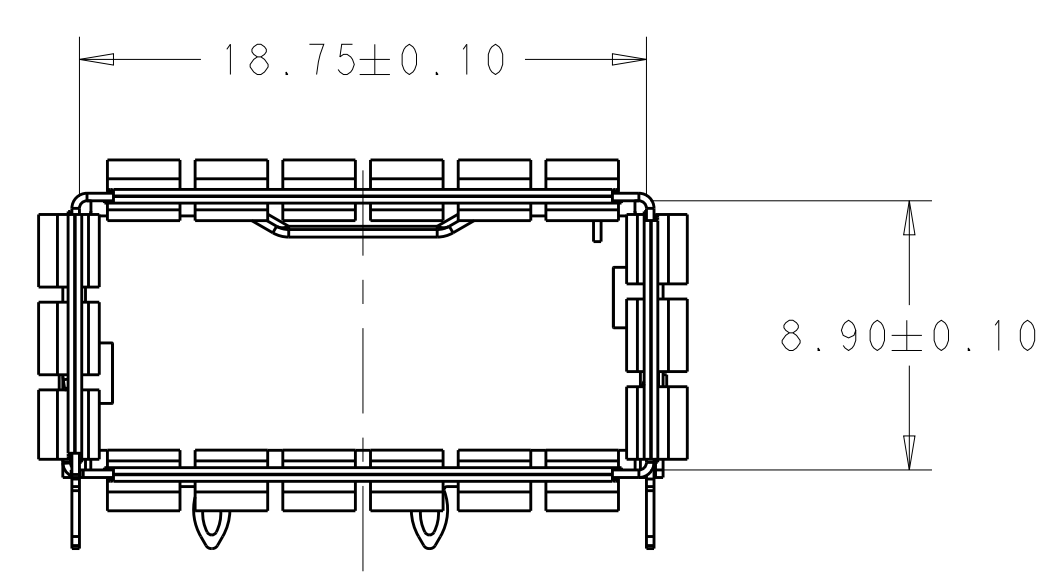
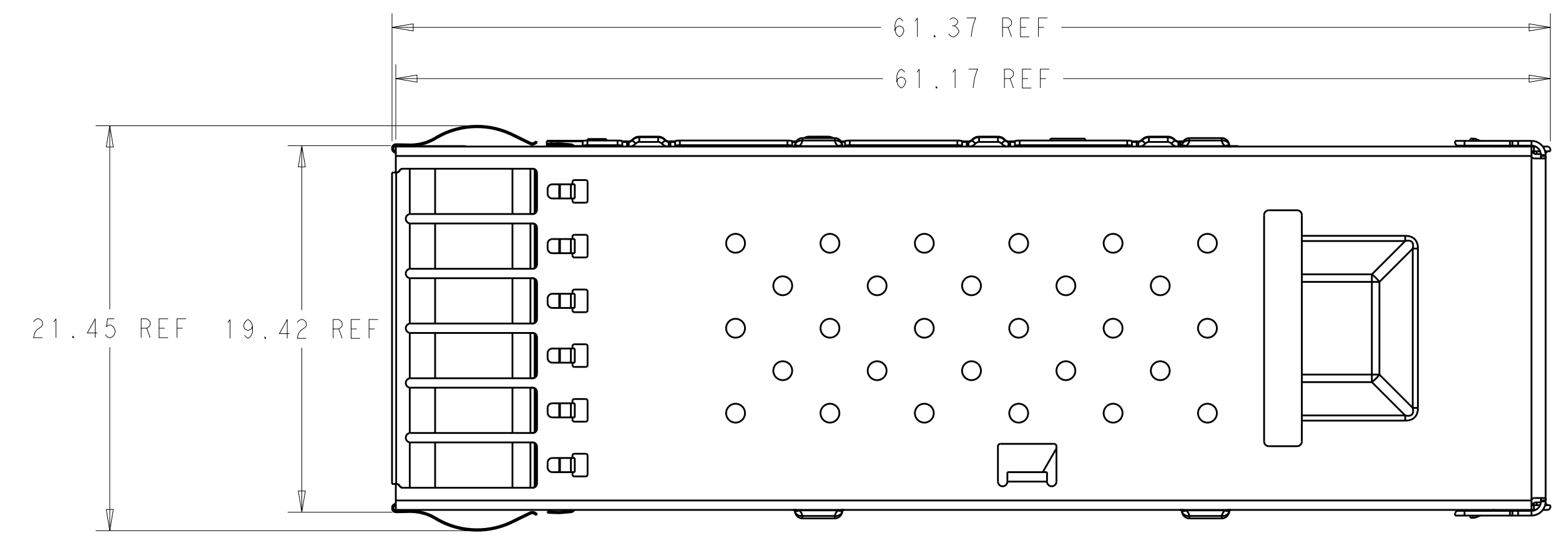


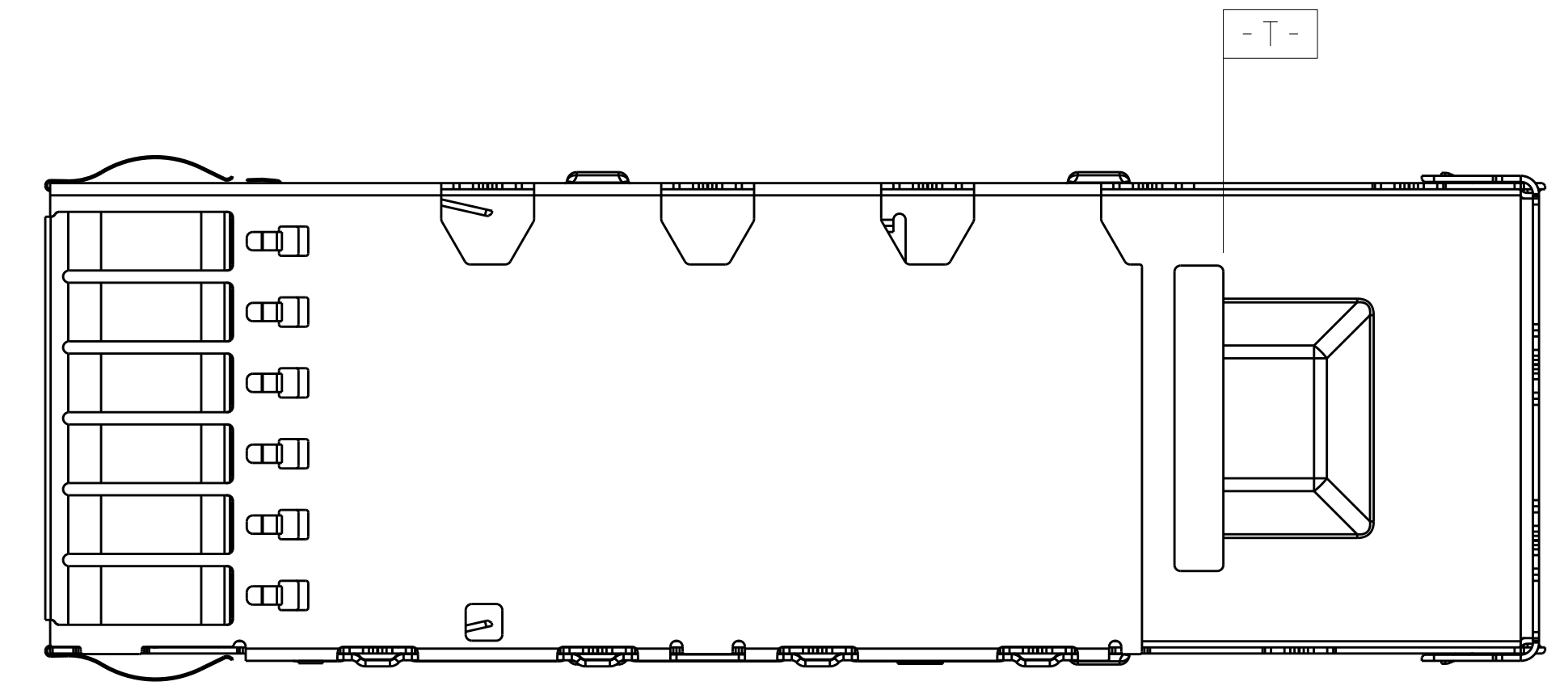
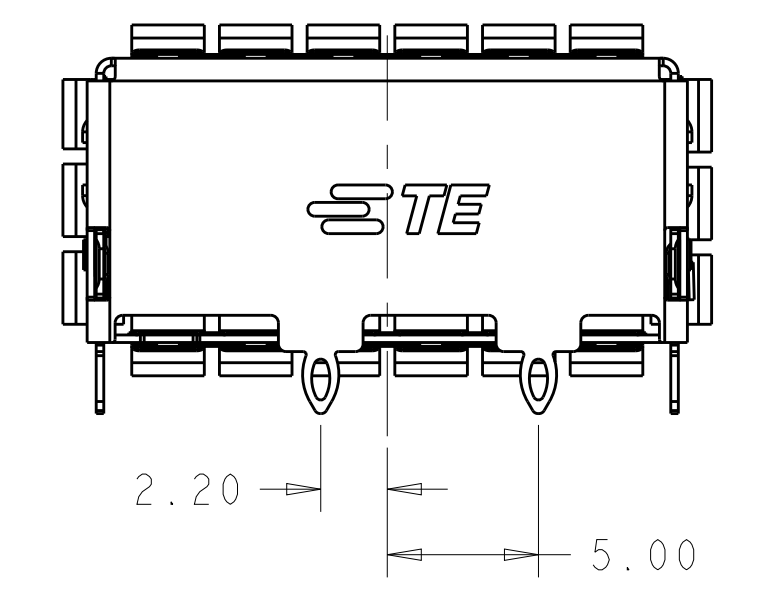
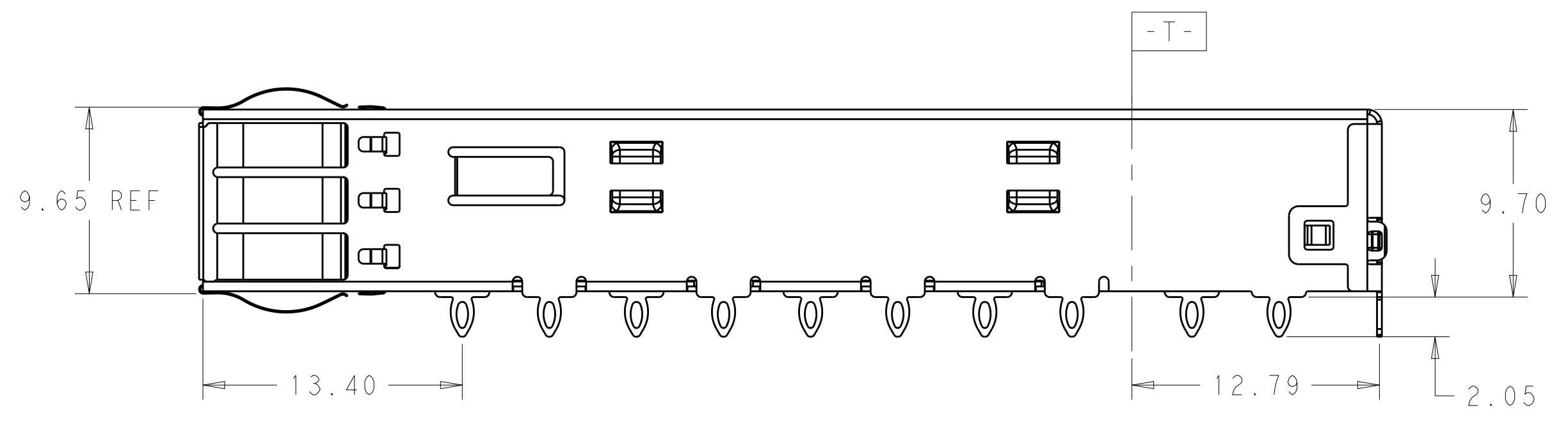
LOC		DIST		REVISIONS			
P	LTN	DESCRIPTION	DATE	DWN	APVD		
A		INITIAL RELEASE	29JAN2016	JY	SH		
B		REVISED PER ECO-16-015248	24OCT2016	JY	SH		



SCALE 4:1



SCALE 4:1



- MATERIAL:
 CAGE MATERIAL : 0.25 THICK NICKEL SILVER.
 SPRING MATERIAL: COPPER ALLOY
 - FINISH:
 SPRING: NICKEL PLATING
 - MATES WITH QSFP28 MSA COMPATIBLE TRANSCEIVER.
 - REFERENCE APPLICATION SPEC 114-32023 FOR RECOMMENDED DRILL HOLE DIAMETER AND PLATING THICKNESS.
 - DATUM AND BASIC DIMENSIONS ESTABLISHED BY CUSTOMERS.
 - MINIMUM PC BOARD THICKNESS: SINGLES SIDED: 1.57 MIN
 DOUBLE SIDED: 2.20 MIN
- DATUM [-A-] IS TOP SURFACE OF THE HOST BOARD.
- DATE CODE (YYWWD) MARKED APPROXIMATELY AS SHOWN

WITH	WITH	1	WITHOUT	5-2170703-4
WITHOUT	WITHOUT	0	WITH STANDARD	2-2170703-7
WITH	WITHOUT	1	WITH LARGER	2-2170703-6
WITH	WITHOUT	0	WITH STANDARD	2170703-7
WITH	WITHOUT	1	WITH STANDARD	2170703-6
WITH	WITHOUT	0	WITHOUT	2170703-5
WITH	WITHOUT	1	WITHOUT	2170703-4
WITH	WITHOUT	2	WITH STANDARD	2170703-2
WITH	WITHOUT	2	WITHOUT	2170703-1
SPRING FINGER	INSULATING TAPE OPTION	# REAR PINS	HEAT SINK OPEN	PART NUMBER

2170703-1 AS SHOWN

THIS DRAWING IS A CONTROLLED DOCUMENT. DWN: JASON YANG 23SEP2013
 CHK: SEAN HAN 29JAN2016

STC TE Connectivity

NAME: CAGE ASSEMBLY, QSFP28 1X1, THRU BEZEL WITH EMI SPRING FINGER

PRODUCT SPEC: 108-19428
 APPLICATION SPEC: 114-32023

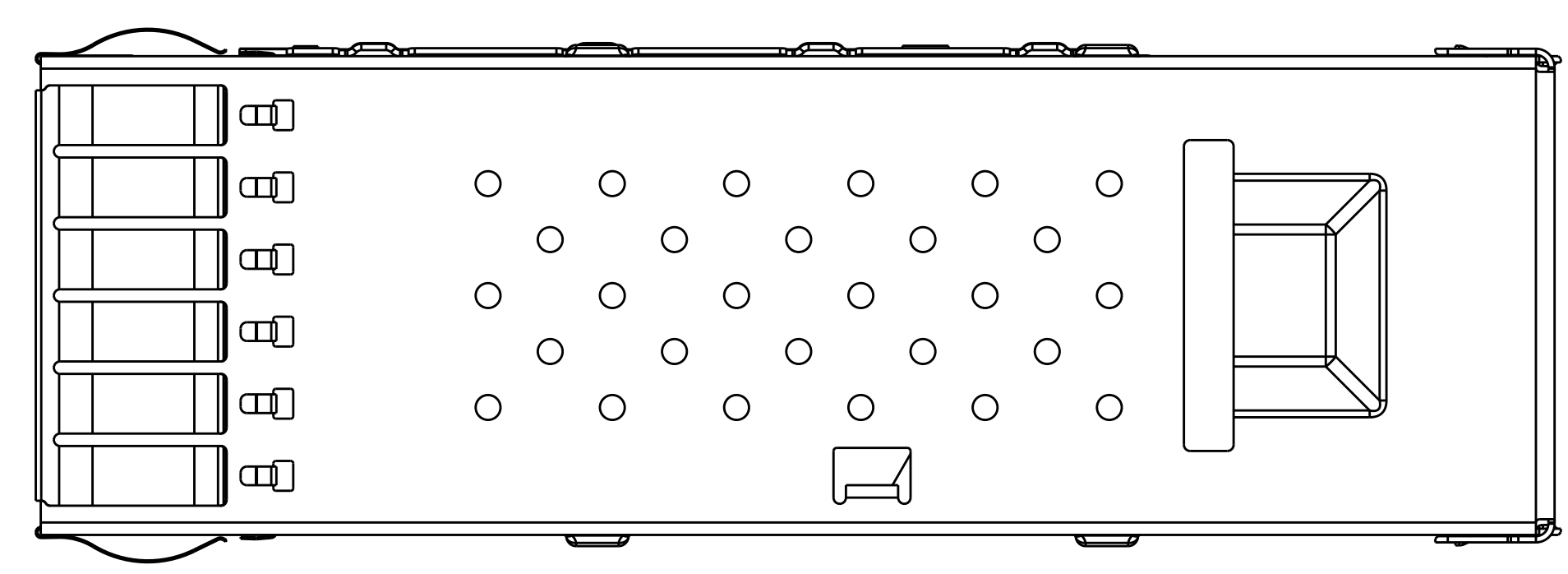
SIZE: CAGE CODE DRAWING NO: A100779C=2170703
 RESTRICTED TO: -

MATERIAL: - FINISH: - WEIGHT: - CUSTOMER DRAWING

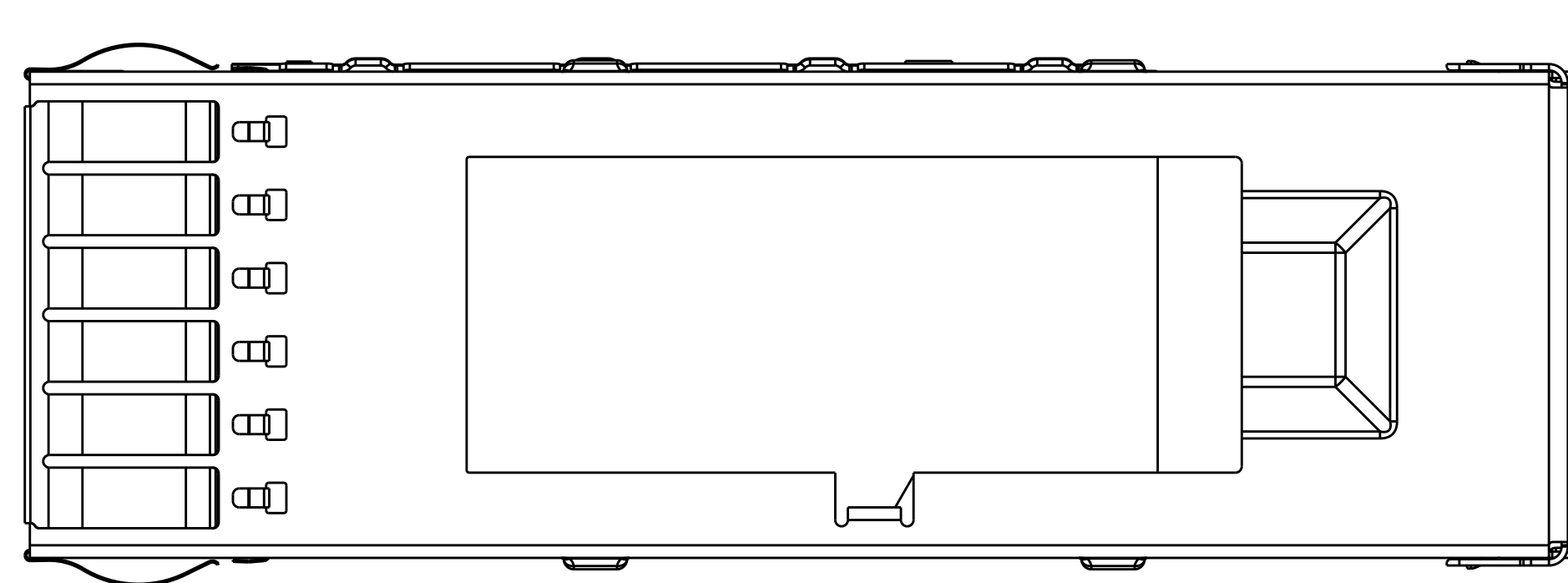
SCALE: 2:1 SHEET 1 OF 6 REV B

LOC		DIST		REVISIONS			
P.	LTN	DESCRIPTION	DATE	DWN	APVD		
-	-	SEE SHEET 1	-	-	-		

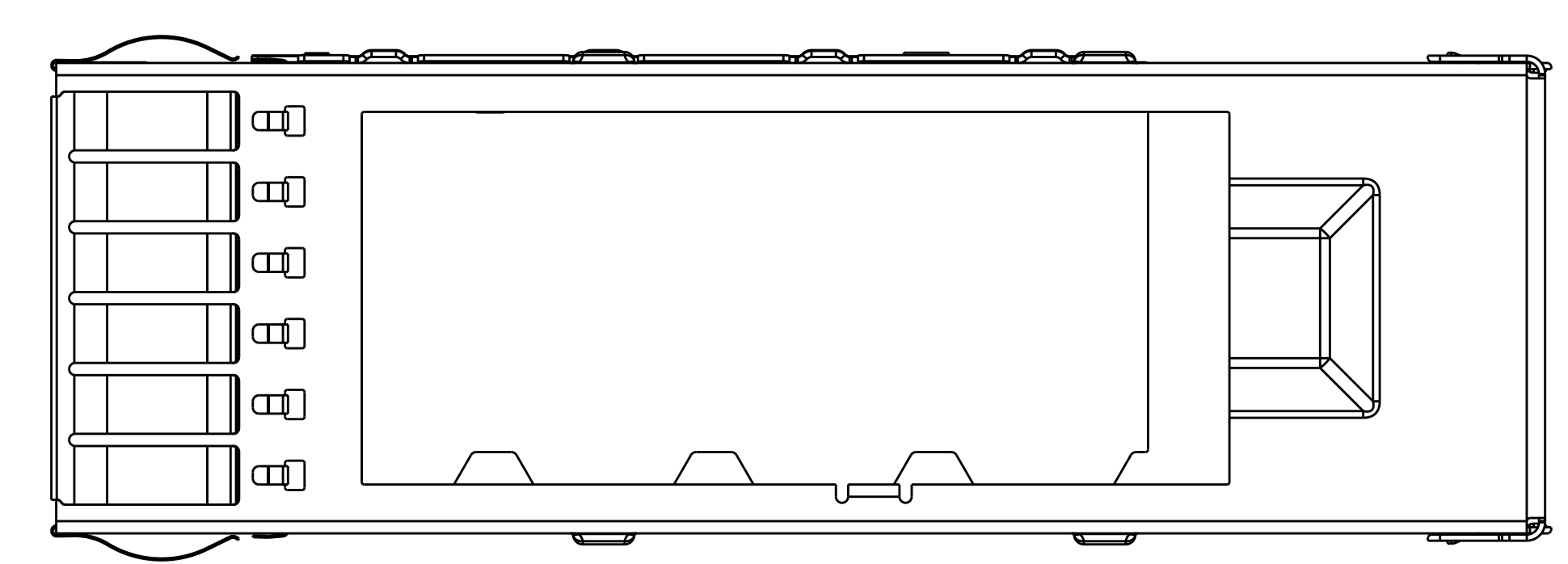
HEAT SINK OPEN OPTIONS



WITHOUT HEAT SINK OPEN
SCALE 4:1

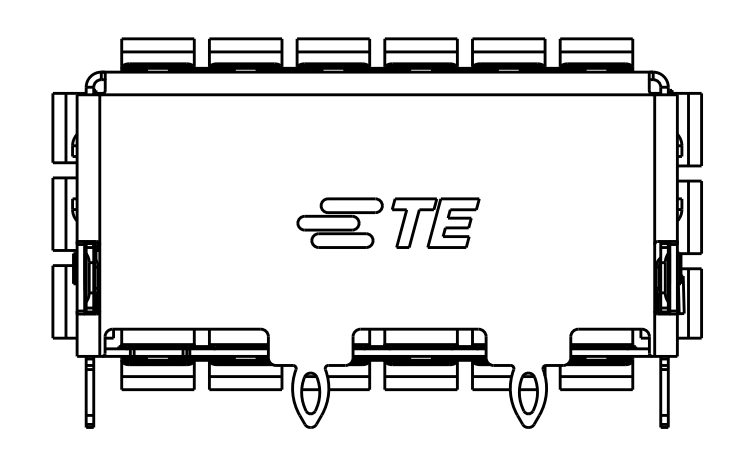


WITH STANDARD HEAT SINK OPEN (30.7X12.5)
SCALE 4:1

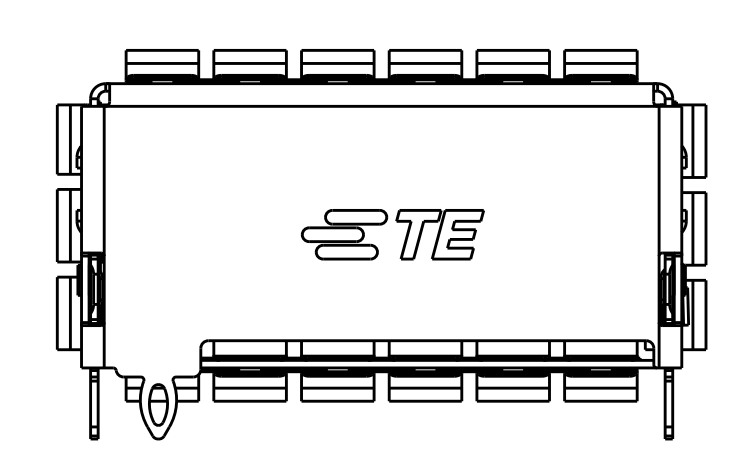


WITH LARGER HEAT SINK OPEN (35.5X15.25)
SCALE 4:1

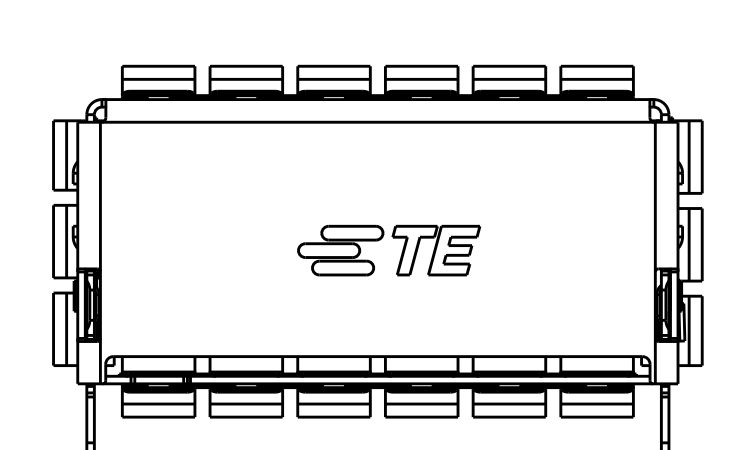
OF REAR LEGS OPTIONS



2 REAR LEGS VERSION
SCALE 4:1

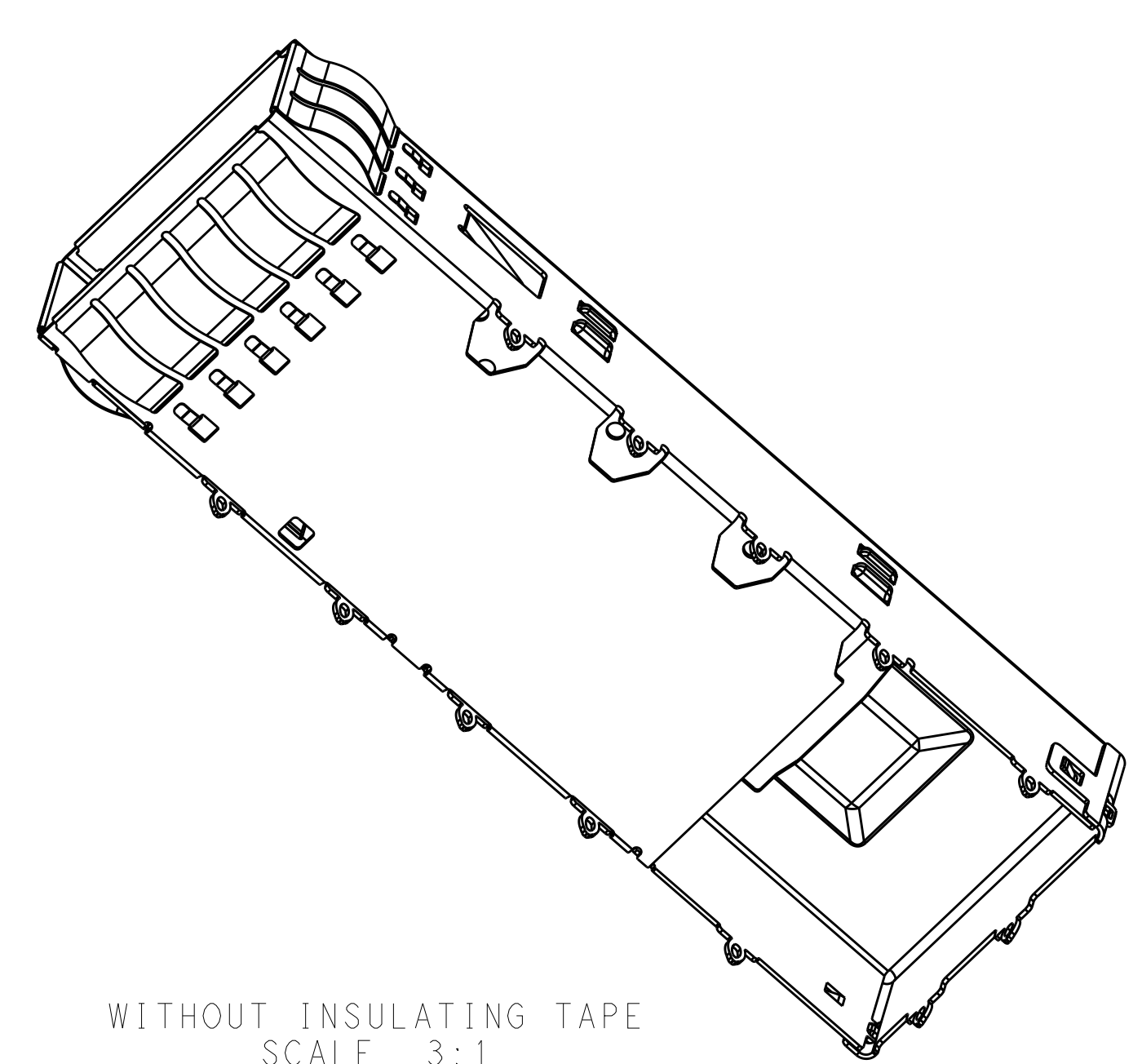


1 REAR LEG VERSION
SCALE 4:1

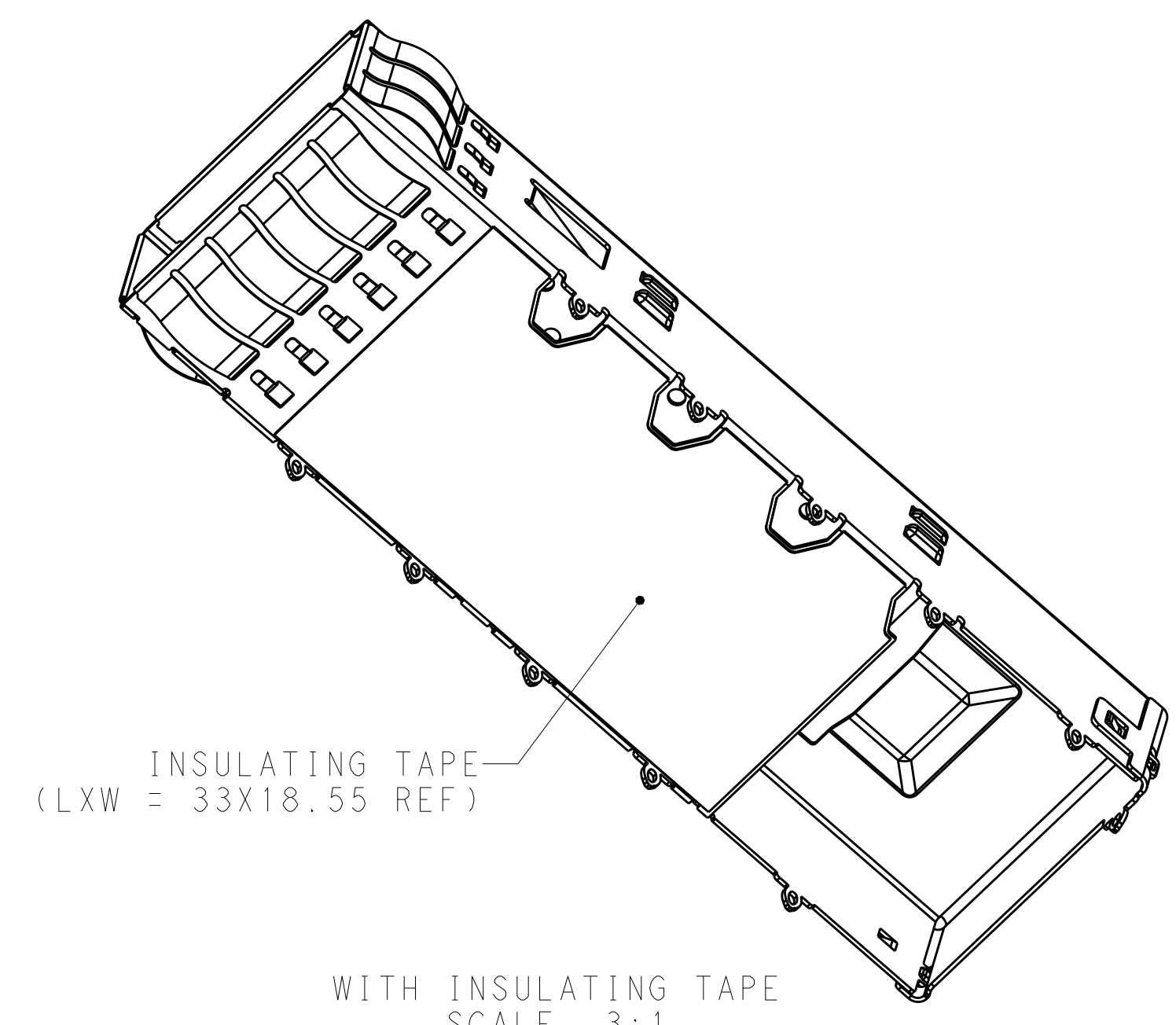


0 REAR LEG VERSION
SCALE 4:1

INSULATING TAPE OPTIONS



WITHOUT INSULATING TAPE
SCALE 3:1

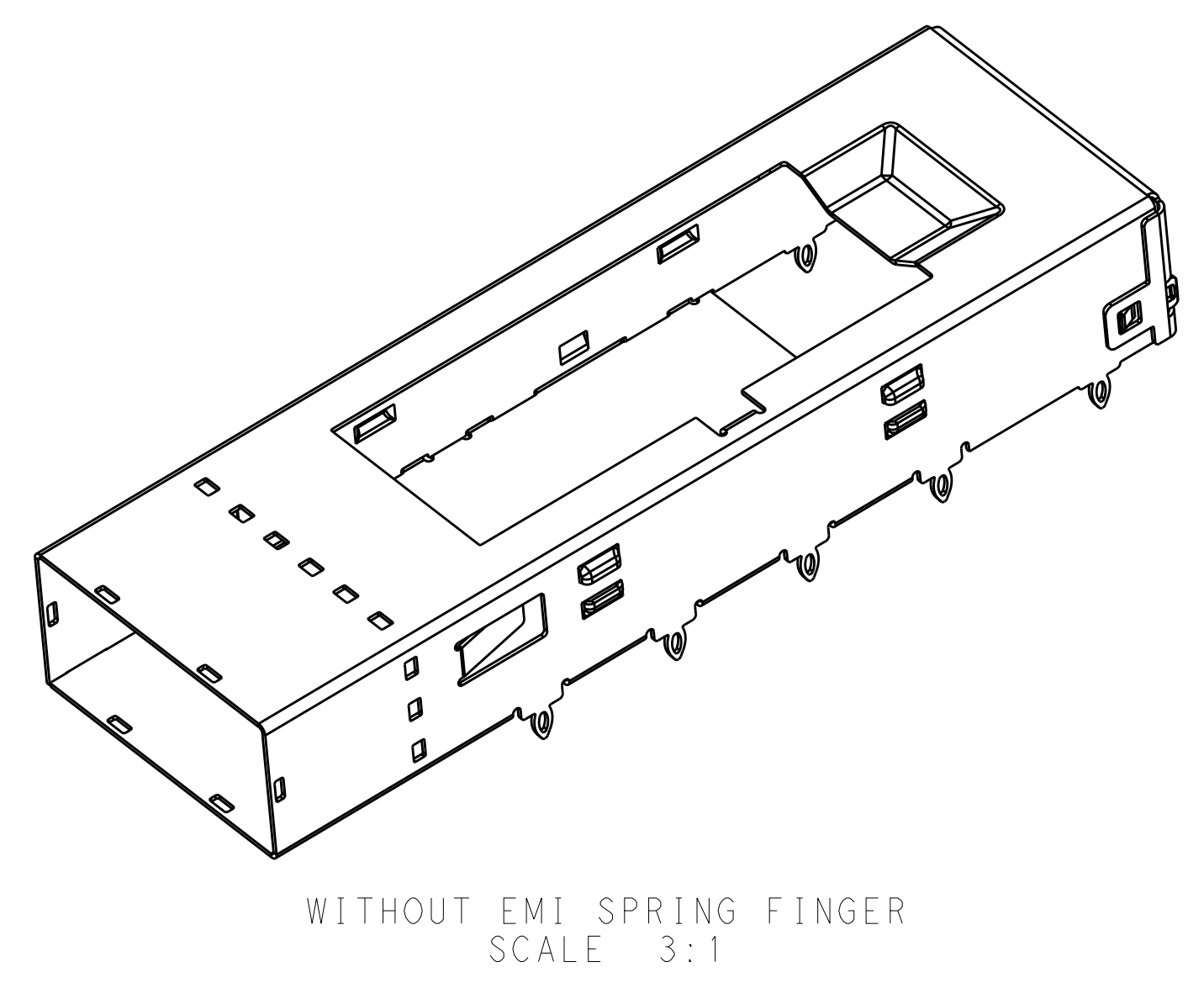
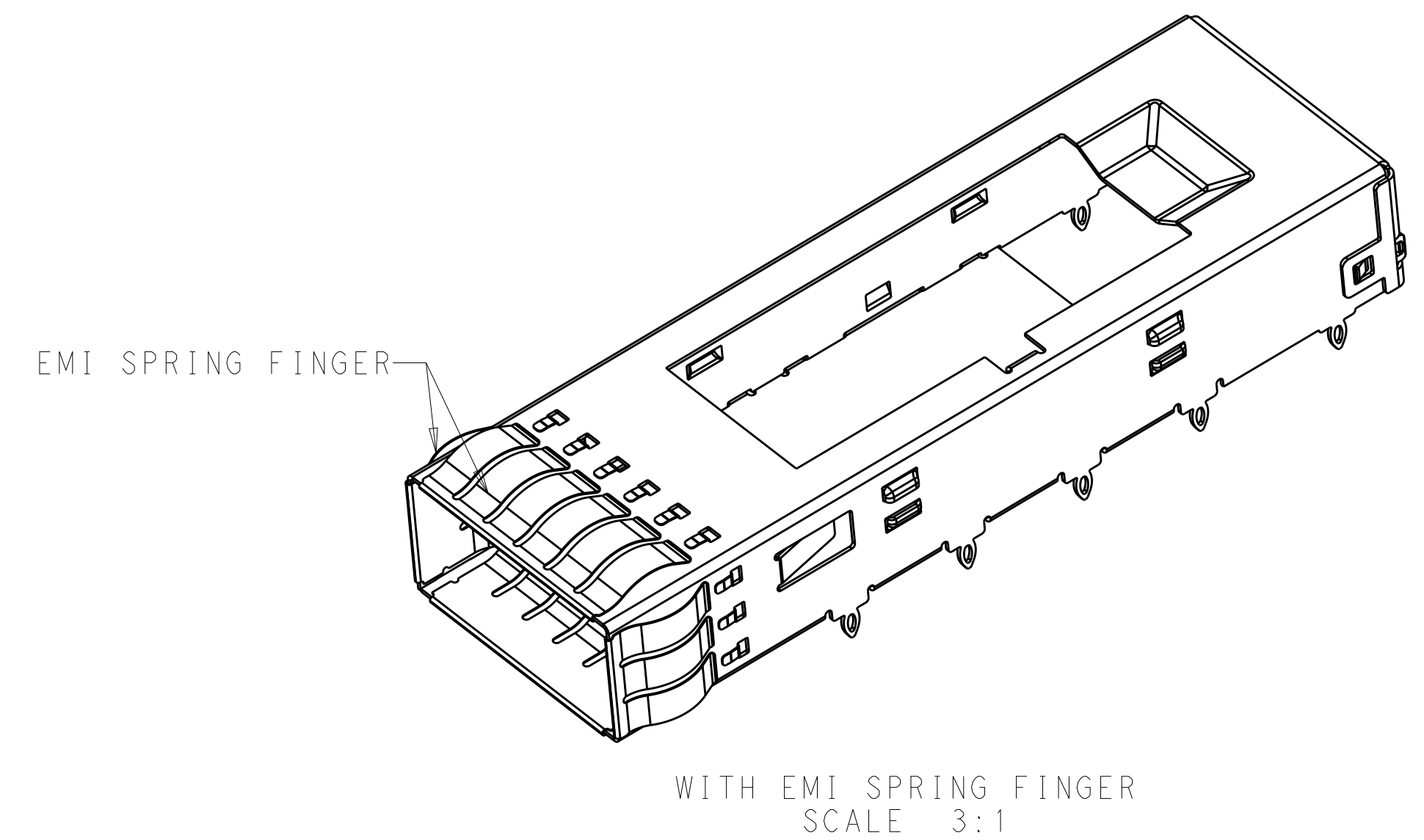


WITH INSULATING TAPE
SCALE 3:1

THIS DRAWING IS A CONTROLLED DOCUMENT.		DWN: JASON YANG 23SEP2013	TE Connectivity
		CHK: SEAN HAN 29JAN2016	
DIMENSIONS:		NAME: CAGE ASSEMBLY, QSPF28 1X1, THRU BEZEL WITH EMI SPRING FINGER	
TOLERANCES UNLESS OTHERWISE SPECIFIED: 0 PLC ±0.25 1 PLC ±0.25 2 PLC ±0.25 3 PLC ±0.25 4 PLC ±0.100 ANGLES ±°		PRODUCT SPEC: 108-19428	RESTRICTED TO: -
MATERIAL: - FINISH: -		APPLICATION SPEC: 114-32023	SIZE: A1
		WEIGHT: -	CAGE CODE: 00779
		CUSTOMER DRAWING	DRAWING NO: 2170703
		SCALE: 2:1	SHEET 2 OF 6
			REV B

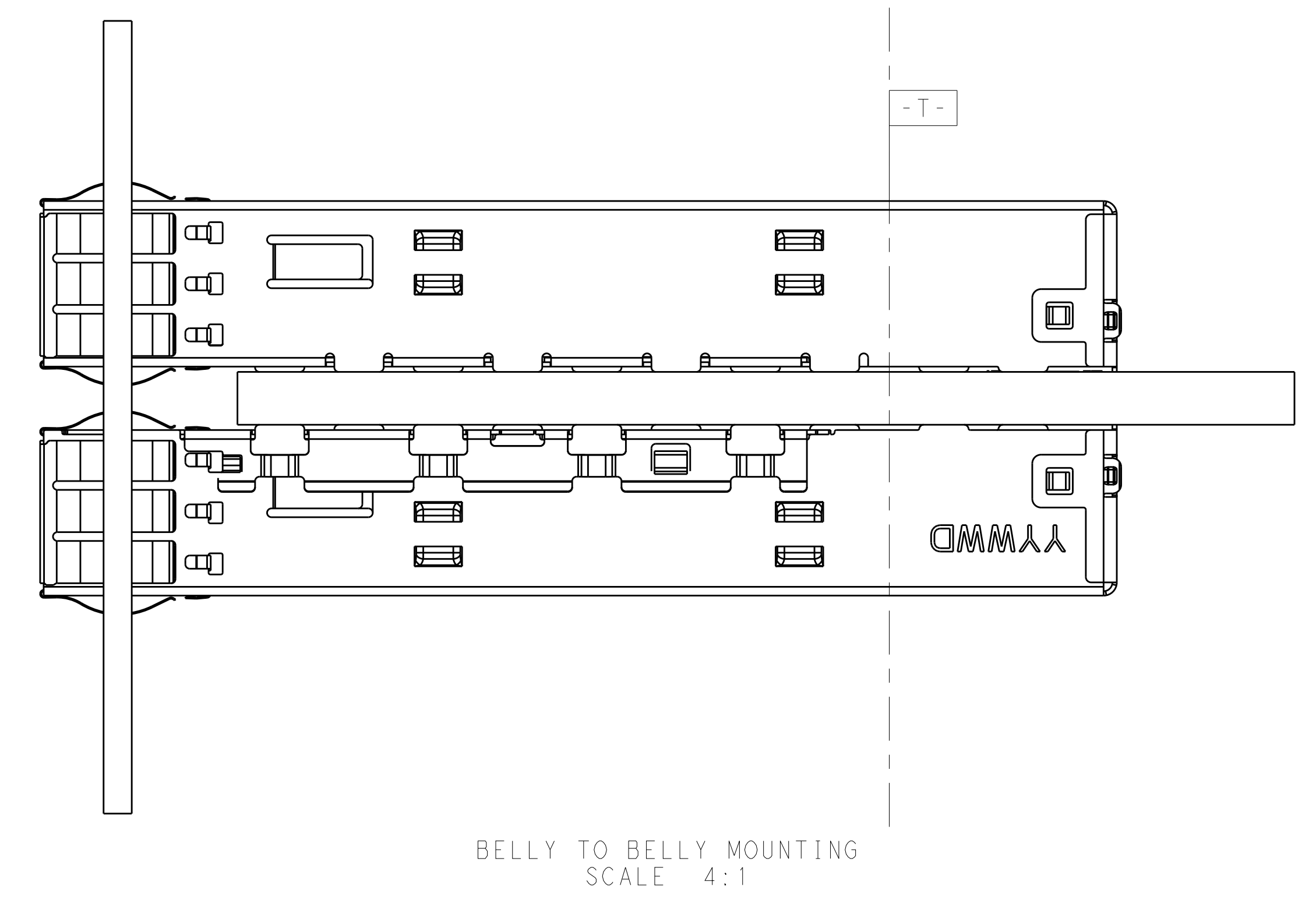
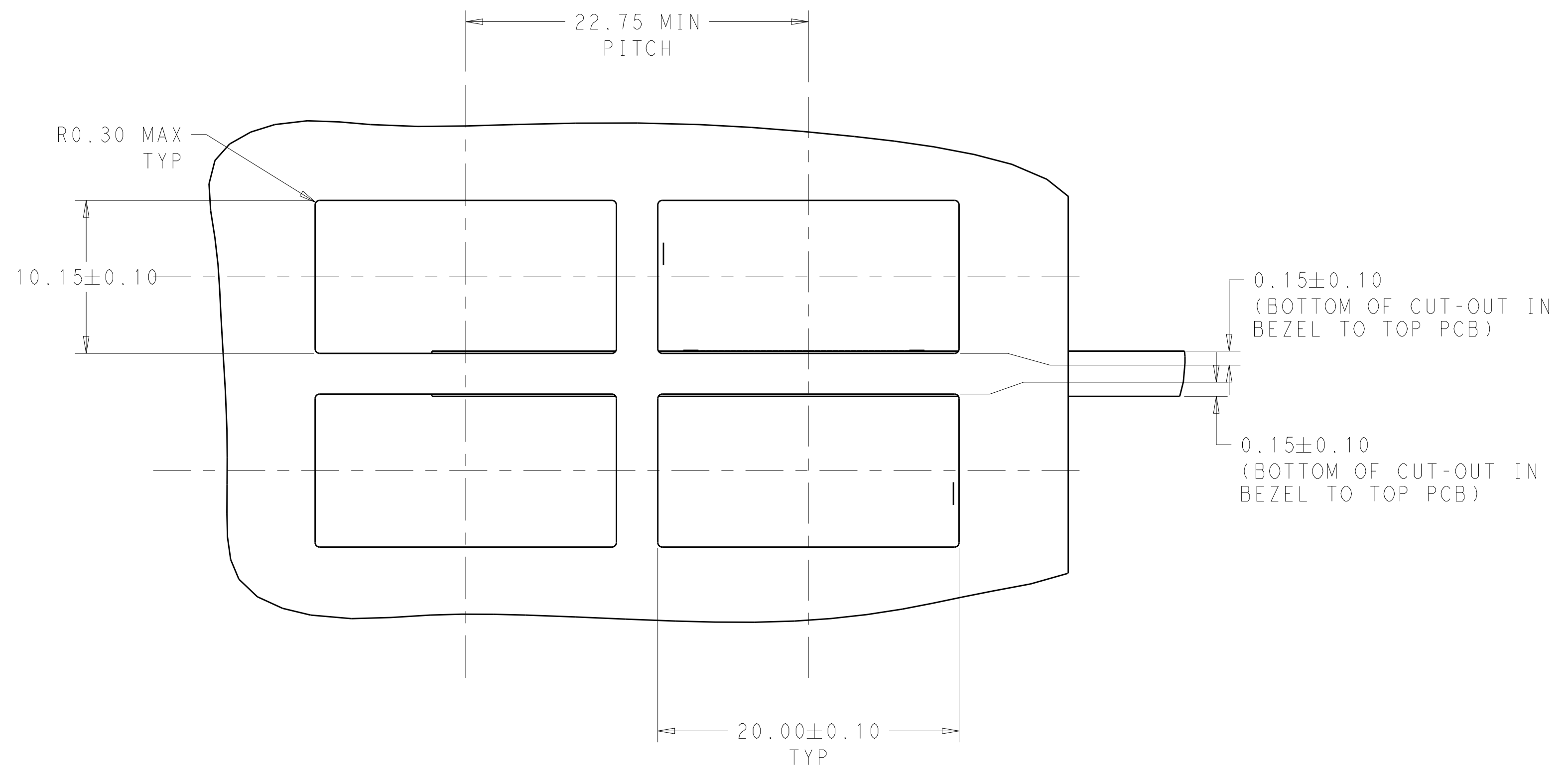
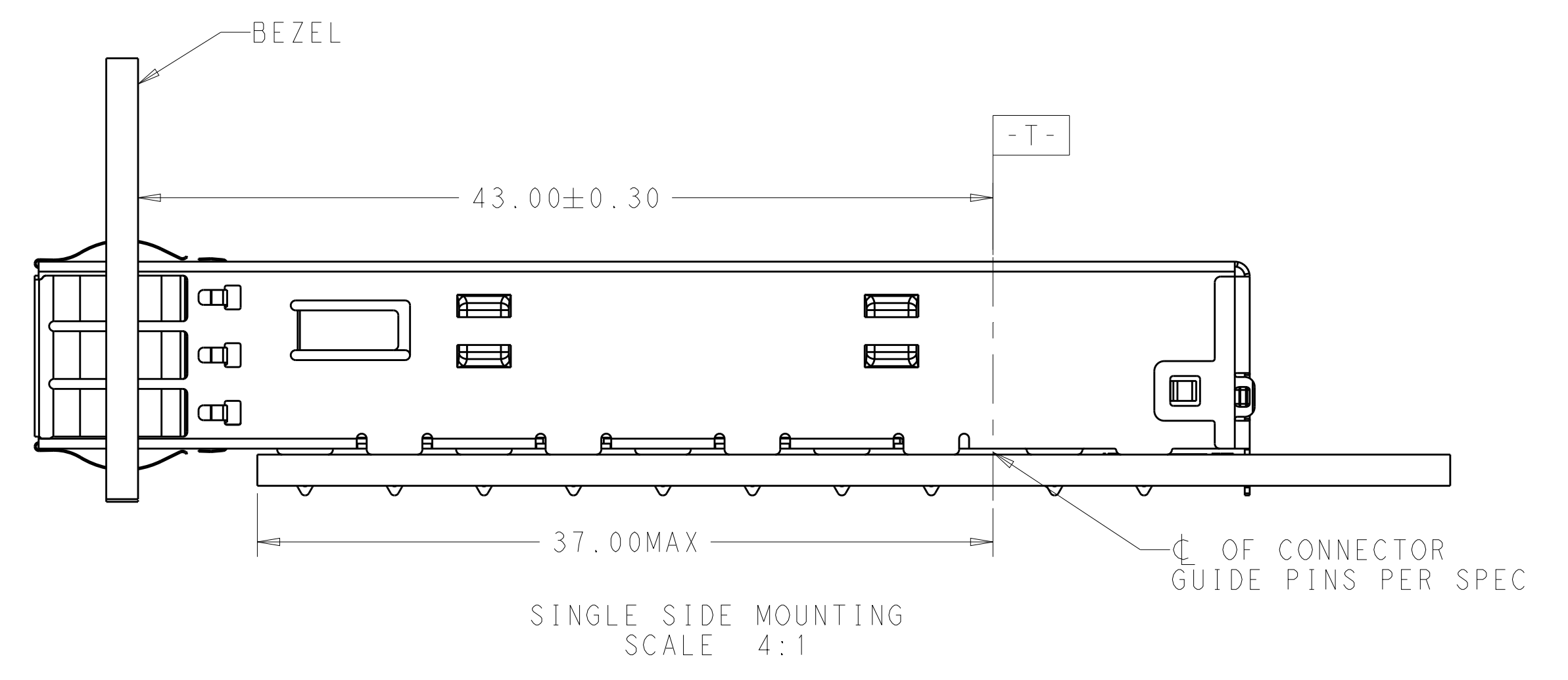
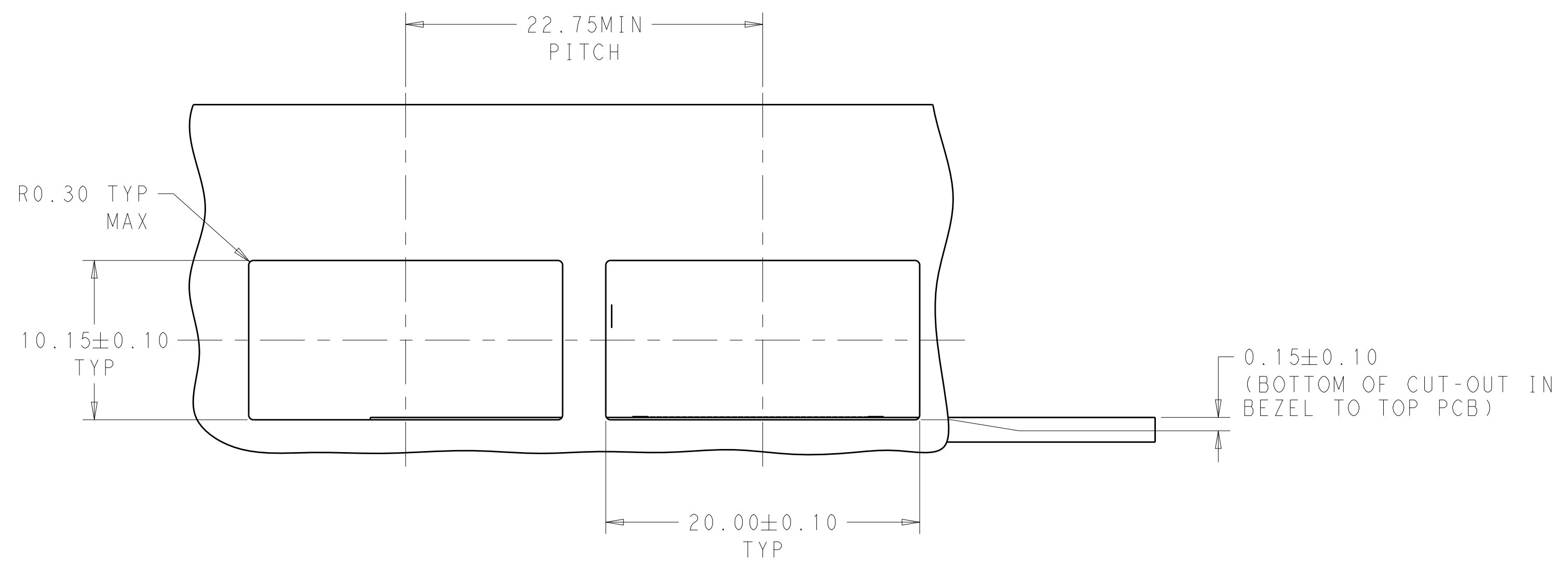
LOC		DIST		REVISIONS			
P.	LTN	DESCRIPTION	DATE	DWN	APVD		
-	-	SEE SHEET 1	-	-	-		

SPRING FINGER OPTIONS



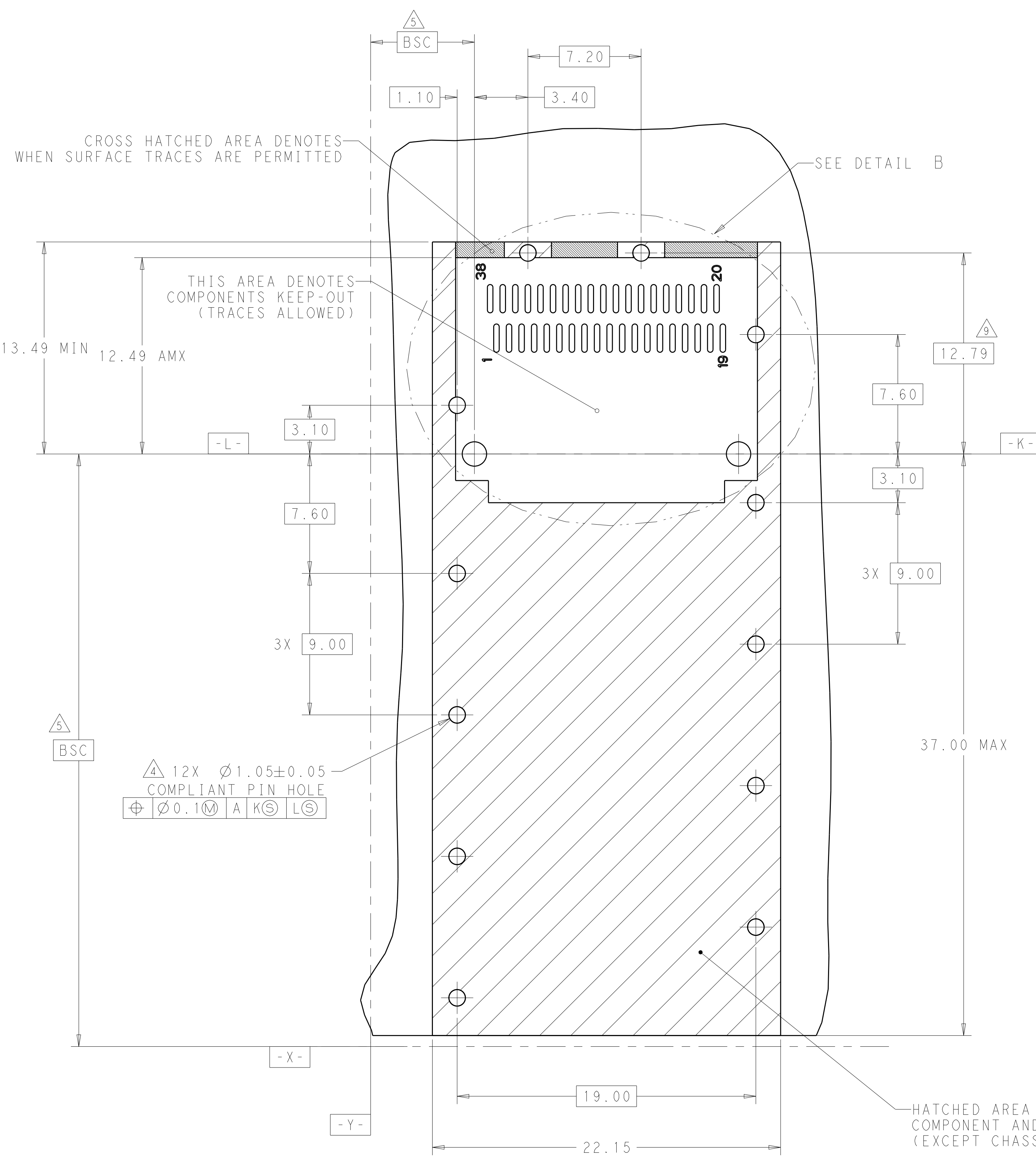
THIS DRAWING IS A CONTROLLED DOCUMENT.		DWN	JASON YANG	23SEP2013		TE Connectivity
		CHK	SEAN HAN	29JAN2016		
DIMENSIONS:		TOLERANCES UNLESS OTHERWISE SPECIFIED:		NAME		
mm	0 PLC ±0.25	1 PLC ±0.25		CAGE ASSEMBLY, QSFP28 1X1, THRU BEZEL		
	2 PLC ±0.25	3 PLC ±0.25		WITH EMI SPRING FINGER		
	4 PLC ±0.100	ANGLES		SIZE CAGE CODE DRAWING NO RESTRICTED TO		
	FINISH	WEIGHT		A100779C=2170703		
MATERIAL		CUSTOMER DRAWING		SCALE 2:1 SHEET 3 OF 6 REV B		

LOC		DIST		REVISIONS			
P	LTN	DESCRIPTION	DATE	DWN	APVD		
-	-	SEE SHEET 1	-	-	-		

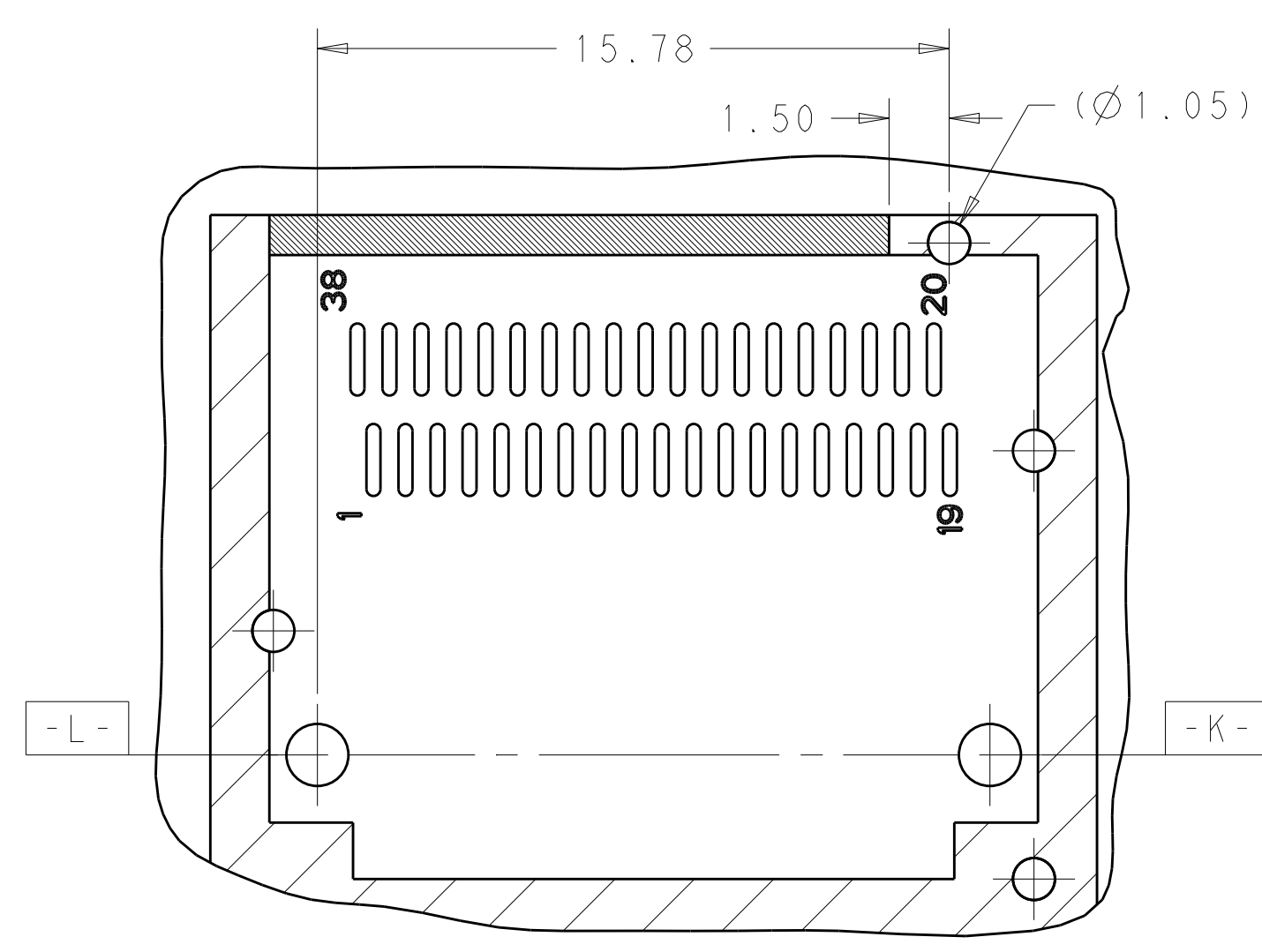


THIS DRAWING IS A CONTROLLED DOCUMENT.		DWN	JASON YANG	23SEP2013	TE Connectivity
		CHK	SEAN HAN	29JAN2016	
DIMENSIONS:		TOLERANCES UNLESS OTHERWISE SPECIFIED:		NAME	
mm	0 PLC ±0.25	1 PLC ±0.25		CAGE ASSEMBLY, QSFP28 1X1, THRU BEZEL	
	2 PLC ±0.20	3 PLC ±0.100		108-19428	
	4 PLC ±	ANGLES		APPLICATION SPEC	
MATERIAL	FINISH	WEIGHT		SIZE CAGE CODE DRAWING NO	
		CUSTOMER DRAWING		A100779C=2170703	
				SCALE	2:1
				SHEET	4 OF 6
				REV	B

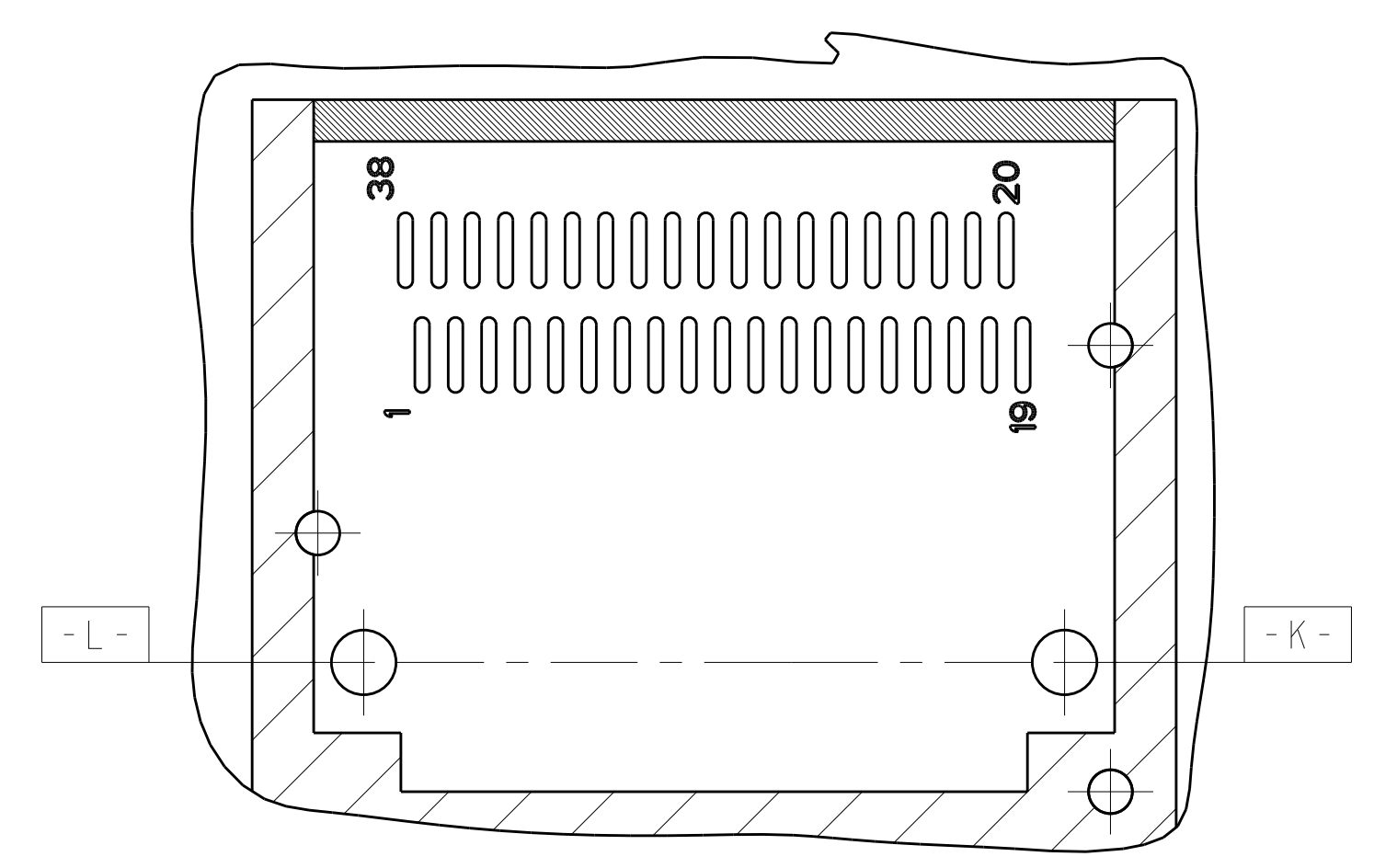
LOC	DIST	REV	DATE	BY	APPD
		1			



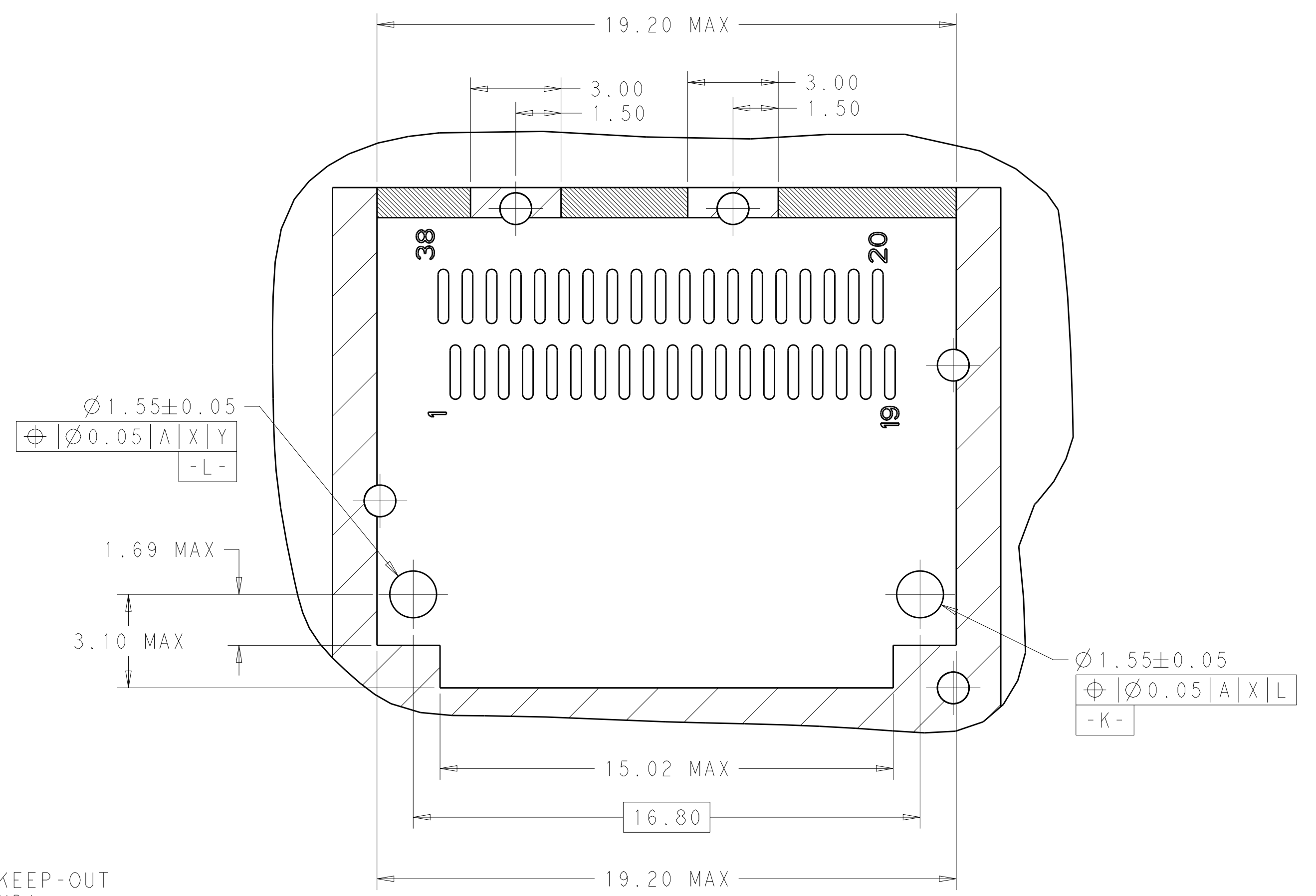
RECOMMENDED PCB LAYOUT
 SINGLE TYPE OF 2 REAR HOLES OF LEGS
 PCB TOLERANCE: ±0.05
 SCALE 6:1



RECOMMENDED PCB LAYOUT
 SINGLE TYPE OF 1 REAR HOLES OF LEGS
 PCB TOLERANCE: ±0.05
 SCALE 6:1



RECOMMENDED PCB LAYOUT
 SINGLE TYPE OF 0 REAR HOLES OF LEGS
 PCB TOLERANCE: ±0.05
 SCALE 6:1

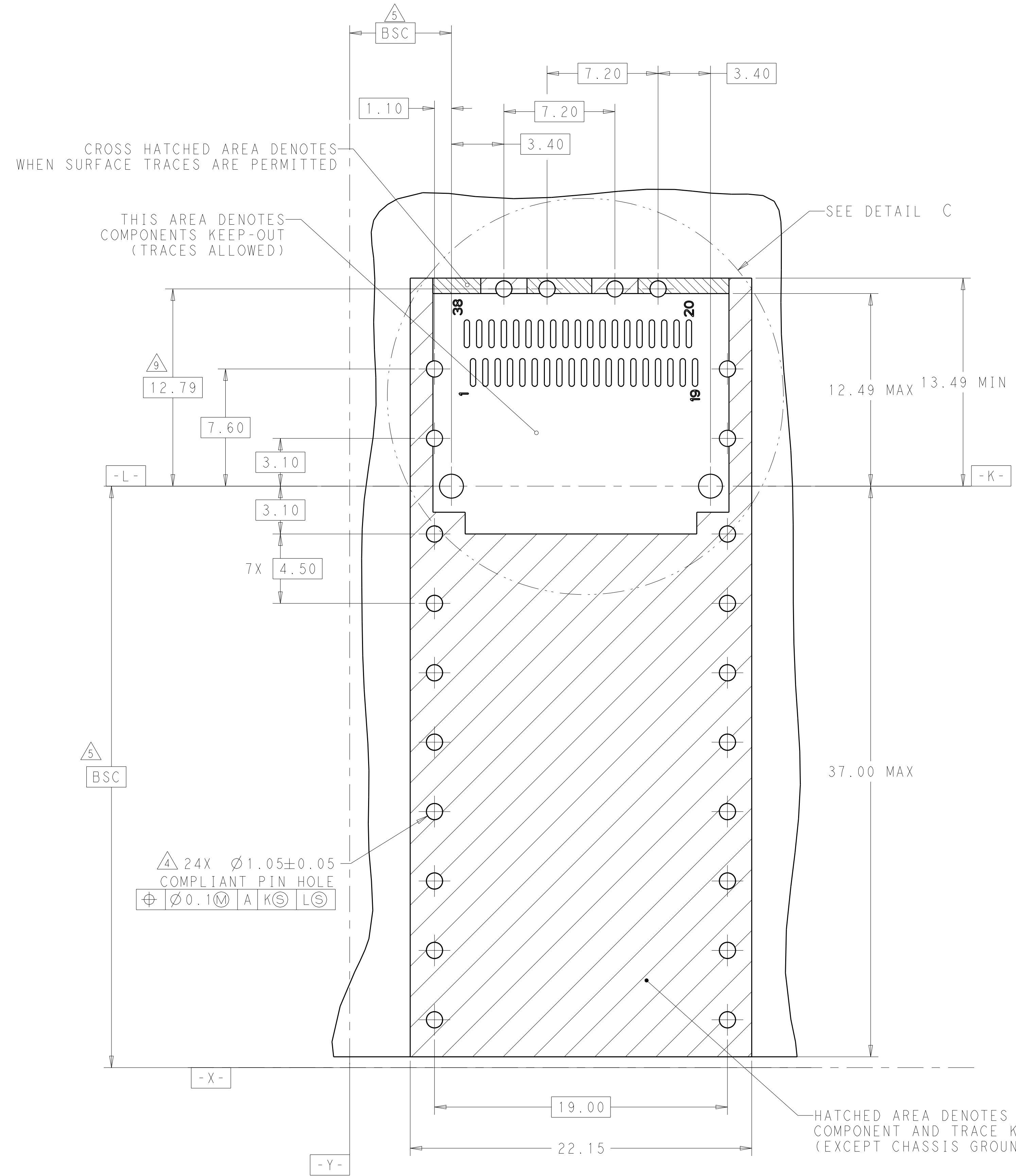


DETAIL B
 SCALE 8:1

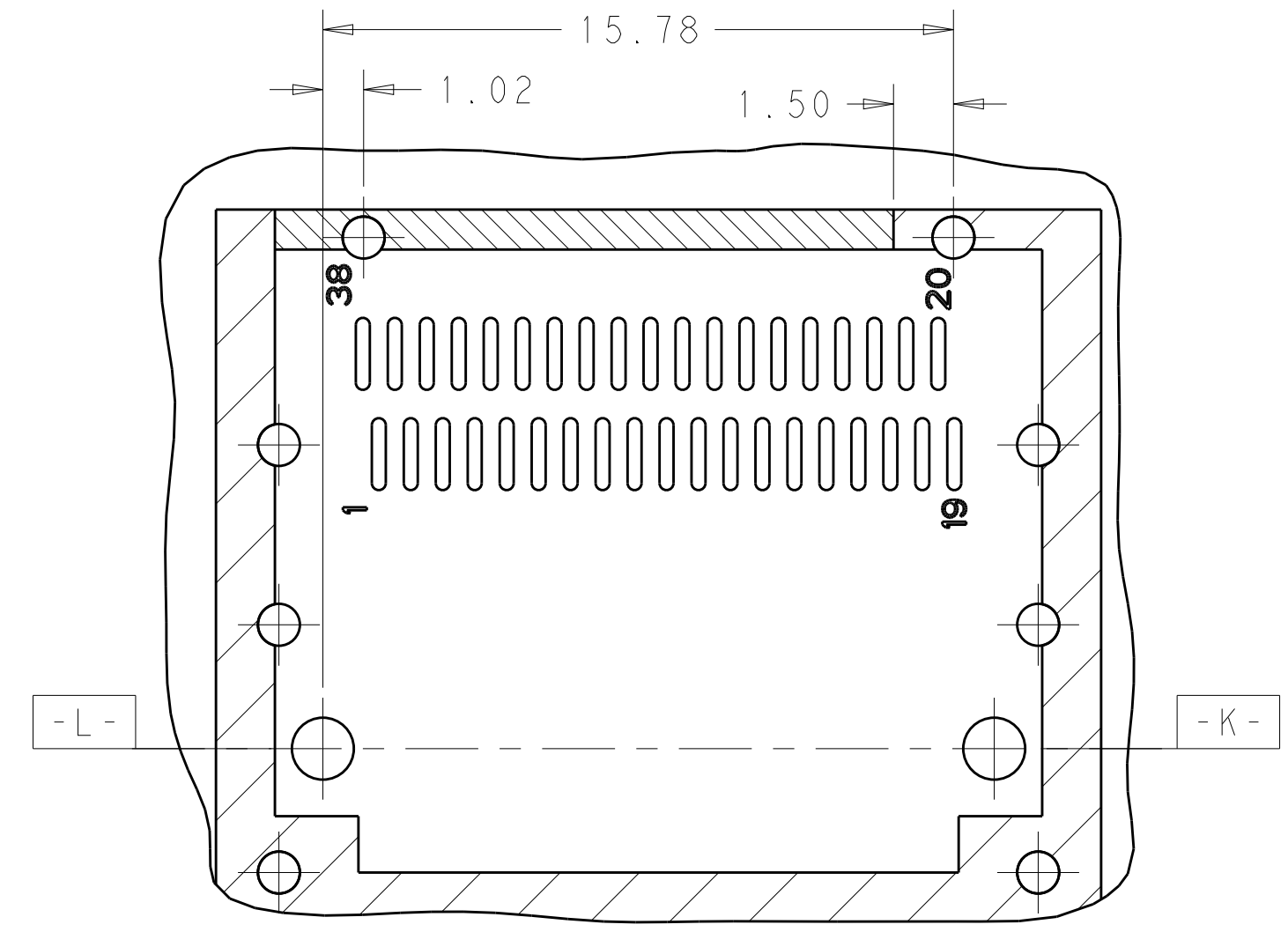
HATCHED AREA DENOTES COMPONENT AND TRACE KEEP-OUT (EXCEPT CHASSIS GROUND)

THIS DRAWING IS A CONTROLLED DOCUMENT.		DWN JASON YANG 23SEP2013 CHN SEAN HAN 29JAN2016 APVD -	TE Connectivity
DIMENSIONS: mm 	TOLERANCES UNLESS OTHERWISE SPECIFIED: 0 PLC ±0.25 1 PLC ±0.25 2 PLC ±0.20 3 PLC ±0.100 4 PLC ± ANGLES ±°	NAME PRODUCT SPEC 108-19428 APPLICATION SPEC 114-32023 WEIGHT CUSTOMER DRAWING	
SCALE 2:1 SHEET 5 OF 6 REV B			

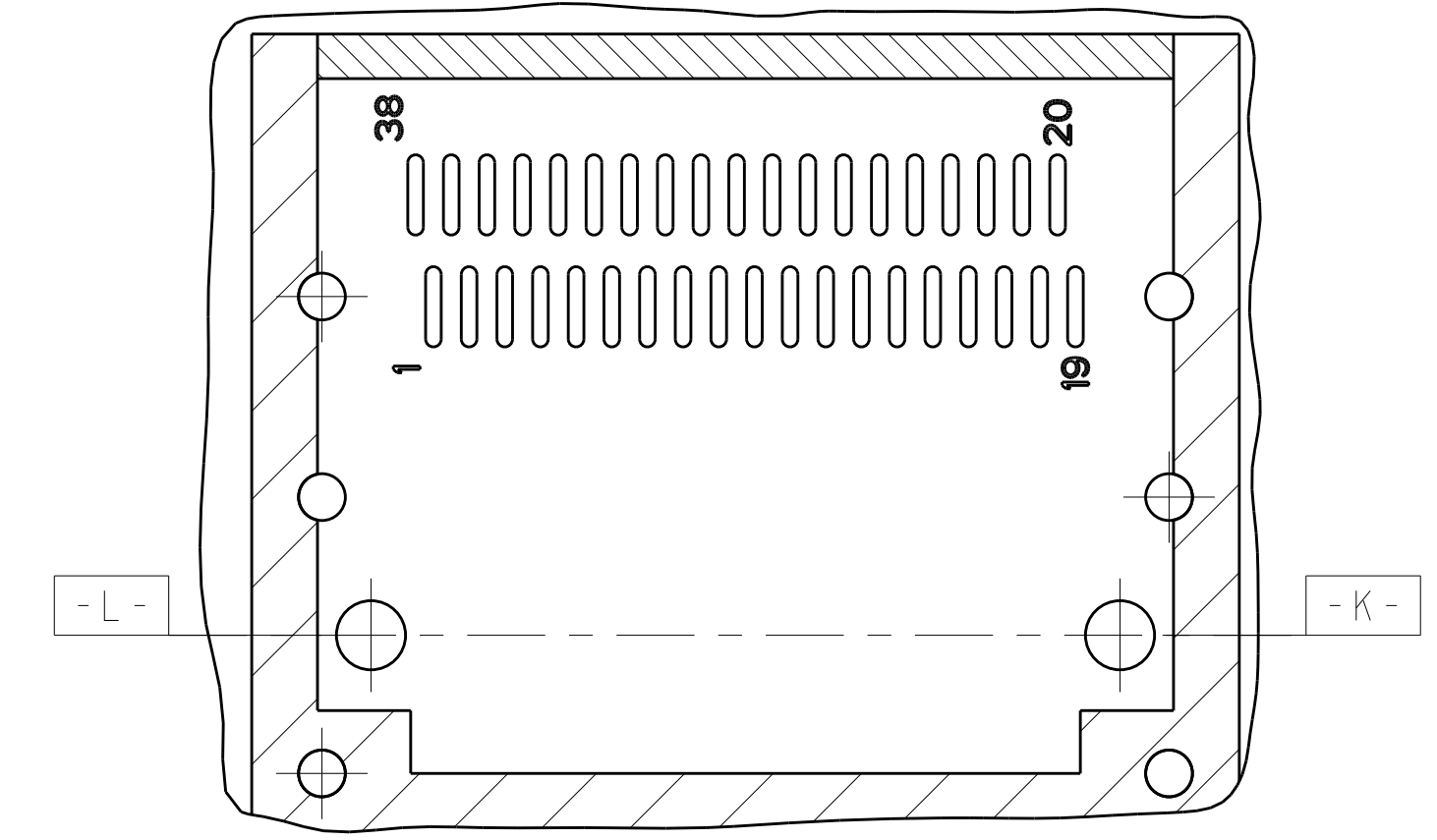
LOC		REVISIONS			
NO.	DIST	DESCRIPTION	DATE	DMN	APVD
-	-	SEE SHEET 1	-	-	-



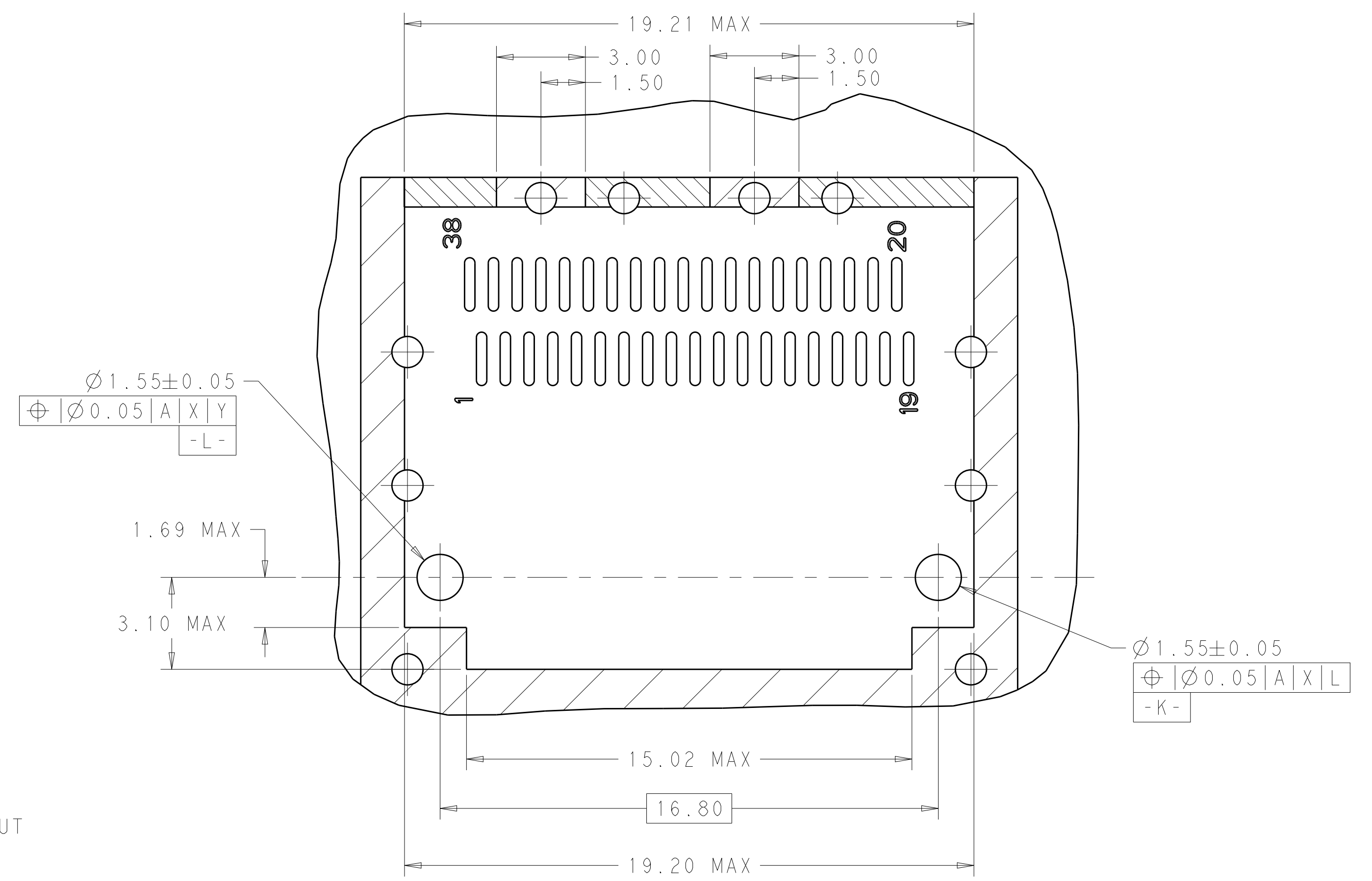
RECOMMENDED PCB LAYOUT
BELLY TO BELLY TYPE OF 2 REAR HOLES OF LEGS
PCB TOLERANCE: ±0.05
SCALE 6:1



RECOMMENDED PCB LAYOUT
BELLY TO BELLY TYPE OF 1 REAR HOLES OF LEGS
PCB TOLERANCE: ±0.05
SCALE 6:1



RECOMMENDED PCB LAYOUT
BELLY TO BELLY TYPE OF 0 REAR HOLES OF LEGS
PCB TOLERANCE: ±0.05
SCALE 6:1



DETAIL C
SCALE 8:1

HATCHED AREA DENOTES
COMPONENT AND TRACE KEEP-OUT
(EXCEPT CHASSIS GROUND)

THIS DRAWING IS A CONTROLLED DOCUMENT.		DMN: JASON YANG 23SEP2013	TE Connectivity
DIMENSIONS: mm		CHK: SEAN HAN 29JAN2016	
TOLERANCES UNLESS OTHERWISE SPECIFIED:		APVD: -	NAME: CAGE ASSEMBLY, QSFP28 1X1, THRU BEZEL WITH EMI SPRING FINGER
0 PLC ±0.25	1 PLC ±0.25	PRODUCT SPEC: 108-19428	SIZE: A1
2 PLC ±0.20	3 PLC ±0.100	APPLICATION SPEC: 114-32023	CAGE CODE: 2170703
4 PLC ±	ANGLES ±	WEIGHT: -	RESTRICTED TO: -
MATERIAL: -	FINISH: -	CUSTOMER DRAWING	SCALE: 2:1 SHEET 6 OF 6 REV B