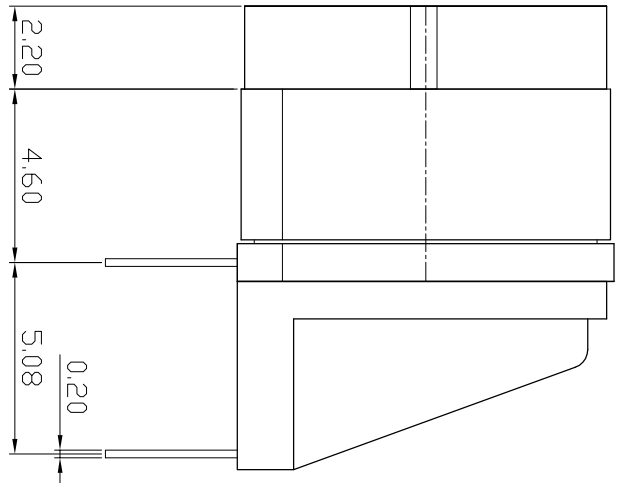
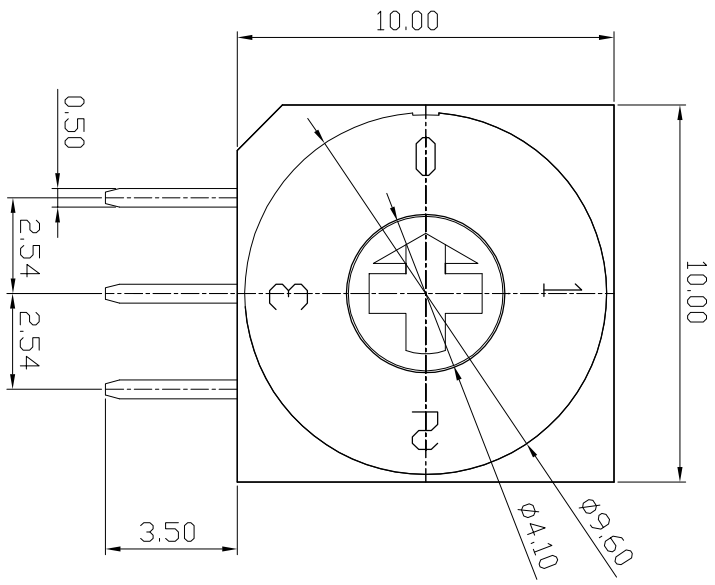


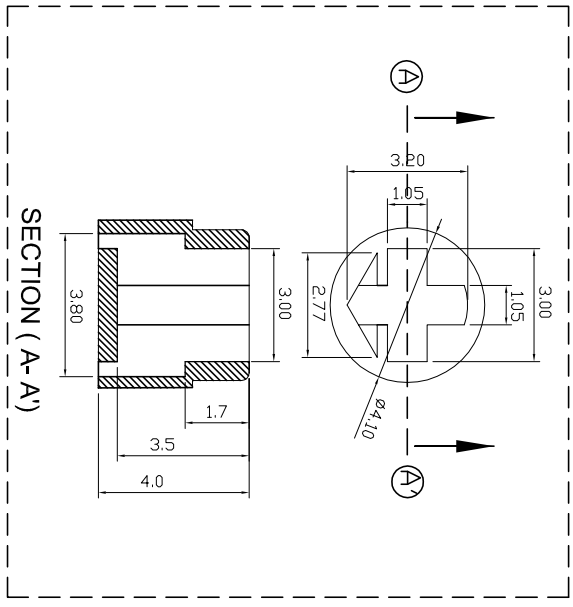
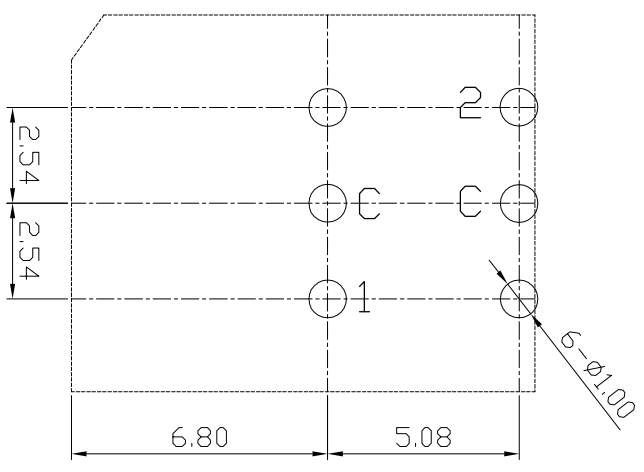
MARK	DATE	REMARKS
△		
△		

SPECIFICATION

1. Rating : 150mA, 42V DC (Switching)
200mA, 42V DC (None-Switching)
2. Contact Resistance : 80mΩ Max
3. Insulation Resistance : 100MΩ Min
4. Operating Force : 700gf Max
5. Life cycle : 10,000 steps



Real Coded			
04	0	1	2
P	●		
S		●	
I			●
I		●	
L			●
O			●
N		●	



APPD	CHKD	D'SGCD	TITLE	MODEL NO.	REV
K.L LEE	J.P ROH	H.S LEE	ROTARY DIP SWITCH	TER-04H	C
SUNGWUN ELECTRONICS CO., LTD.					

P.C.B DIMENSION