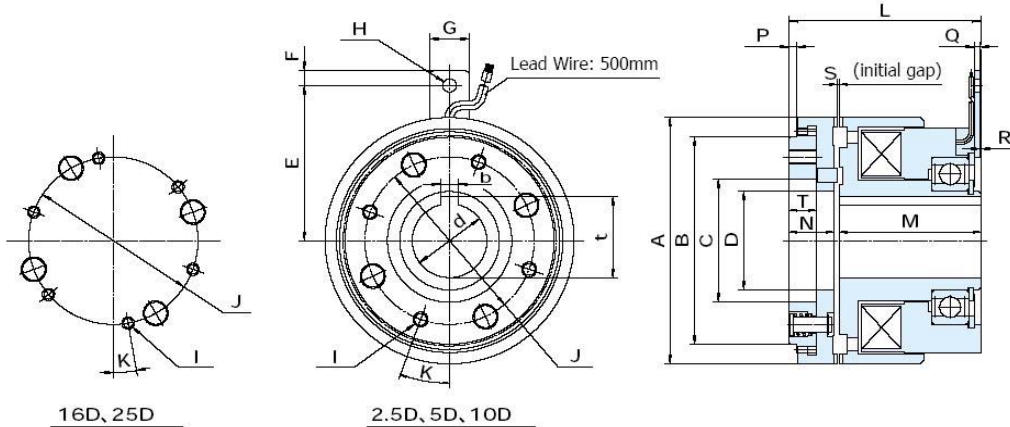


MZS

EM Single-Position Tooth Clutch

Types: 2.5, 5, 10, 16, 25

[EM: Electromagnet]



MZS		2.5D	5D	10D	16D	25D
Static Torque [ft-lbs / N-m]		18 / 25	37 / 50	74 / 100	118 / 160	184 / 250
Coil (20°C)	Voltage [DC-V]	24				
	Current [A]	0.63	0.96	1.25	1.46	1.67
	Resistance [Ω]	38.4	25	19.2	16.5	14.4
	Wattage [W]	15	23	30	35	40
Armature	Pull-In Time [ms]	90	90	90	100	140
	Release Time [ms]	60	70	100	110	140
Max Allowable Speed [rpm]		5000	4500	3800	3500	3200
Moment of Inertia (I) [kg-cm ²]	Rotor	2.5	5	11	21.3	35
	Armature	3.5	6	10.5	18.7	29
Bore [mm]	dH7	20	25	30	35	40
Key Way [mm]	bE9	5	7	7	10	10
	t+0.15/-0	22	28	33	38.5	43.5
Dimensions [mm]	A	75	85	100	110	120
	Bh7	62	70	84	90	98
	CH7	38	45	50	65	65
	D	29	34	40	46	51
	E	54	58	63	68	73
	F	6	6	6	6	6
	G	16	16	16	16	16
	H	5.5	5.5	5.5	5.5	5.5
	I	4xM4	4xM5	4xM6	6xM5	6xM6
	J	50	58	68	78	82
	K	10°	15°	20°	10°	10°
	L	68.5	73.5	76.5	83.5	92
	M	52	55	57	62	70
	N	15.2	17	17.8	19.7	20.2
	P	3	3	3	3	3
	Q	2	2	2	2	2
R	-	-	0.5	0.5	1	
S	0.4~0.5	0.4~0.5	0.5~0.6	0.6~0.7	0.6~0.7	
T	10	10.8	10.8	11.7	12.4	
Weight [lbs / kg]		3.3 / 1.5	4.4 / 2.0	6.6 / 3.0	8.8 / 4.0	11.0 / 5.0

[Included parts & accessories : surge protector]

[1" = 25.4mm]