

## LSK Series

### Features

- Snap-in terminal type
- 105°C, 5,000 hours assured
- Suitable for medium to high voltage circuits
- RoHS Compliance



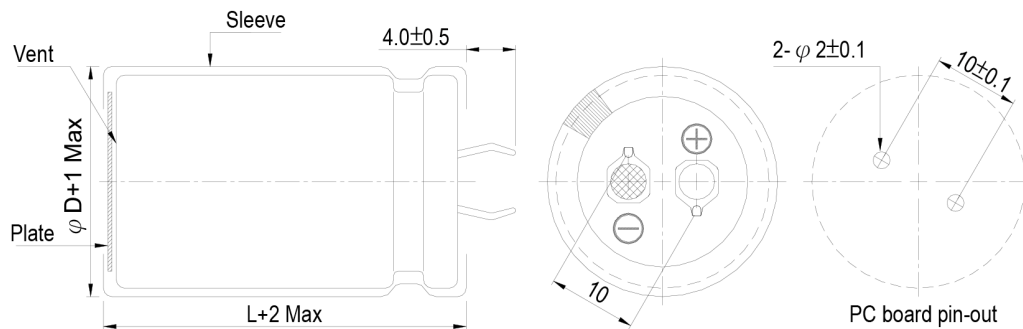
Sleeve & Marking Color: Black & White

### Specifications

Items	Performance																						
Category Temperature Range	-25°C ~ +105°C																						
Capacitance Tolerance	±20% (at 120Hz, 20°C)																						
Leakage Current (at 20°C)	$I = 3\sqrt{CV}$ or 1.5 mA whichever is smaller (after 5 minutes) Where, C = rated capacitance in $\mu\text{F}$ V = rated DC working voltage in V																						
Tan $\delta$ (at 120Hz, 20°C)	<table border="1"> <thead> <tr> <th>Rated Voltage</th> <th>160</th> <th>200</th> <th>250</th> <th>315</th> <th>350</th> <th>400</th> <th>420</th> <th>450</th> <th>500</th> </tr> </thead> <tbody> <tr> <td>Tan<math>\delta</math> (max)</td> <td>0.15</td> <td>0.15</td> <td>0.15</td> <td>0.15</td> <td>0.15</td> <td>0.15</td> <td>0.15</td> <td>0.15</td> <td>0.15</td> </tr> </tbody> </table>	Rated Voltage	160	200	250	315	350	400	420	450	500	Tan $\delta$ (max)	0.15	0.15	0.15	0.15	0.15	0.15	0.15	0.15	0.15		
Rated Voltage	160	200	250	315	350	400	420	450	500														
Tan $\delta$ (max)	0.15	0.15	0.15	0.15	0.15	0.15	0.15	0.15	0.15														
Low Temperature Characteristics (at 120Hz)	<p>Impedance ratio shall not exceed the values given in the table below.</p> <table border="1"> <thead> <tr> <th colspan="2">Rated Voltage</th> <th>160</th> <th>200</th> <th>250</th> <th>315</th> <th>350</th> <th>400</th> <th>420</th> <th>450</th> <th>500</th> </tr> </thead> <tbody> <tr> <td>Impedance Ratio</td> <td>Z(-25°C)/Z(+20°C)</td> <td>4</td> <td>4</td> <td>4</td> <td>4</td> <td>4</td> <td>8</td> <td>8</td> <td>8</td> <td>8</td> </tr> </tbody> </table>	Rated Voltage		160	200	250	315	350	400	420	450	500	Impedance Ratio	Z(-25°C)/Z(+20°C)	4	4	4	4	4	8	8	8	8
Rated Voltage		160	200	250	315	350	400	420	450	500													
Impedance Ratio	Z(-25°C)/Z(+20°C)	4	4	4	4	4	8	8	8	8													
Endurance	<table border="1"> <thead> <tr> <th>Test Time</th> <th>5,000 Hrs</th> </tr> </thead> <tbody> <tr> <td>Capacitance Change</td> <td>Within ±25% of initial value</td> </tr> <tr> <td>Tan<math>\delta</math></td> <td>Less than 250% of specified value</td> </tr> <tr> <td>Leakage Current</td> <td>Within specified value</td> </tr> </tbody> </table> <p>* The above Specifications shall be satisfied when the capacitors are restored to 20°C after the rated voltage applied with rated ripple current for 5,000 hours at 105°C.</p>	Test Time	5,000 Hrs	Capacitance Change	Within ±25% of initial value	Tan $\delta$	Less than 250% of specified value	Leakage Current	Within specified value														
Test Time	5,000 Hrs																						
Capacitance Change	Within ±25% of initial value																						
Tan $\delta$	Less than 250% of specified value																						
Leakage Current	Within specified value																						
Shelf Life Test	<table border="1"> <thead> <tr> <th>Test Time</th> <th>1,000 Hrs</th> </tr> </thead> <tbody> <tr> <td>Capacitance Change</td> <td>Within ±20% of initial value</td> </tr> <tr> <td>Tan<math>\delta</math></td> <td>Less than 150% of specified value</td> </tr> <tr> <td>Leakage Current</td> <td>Within specified value</td> </tr> </tbody> </table> <p>* The above Specifications shall be satisfied when the capacitors are restored to 20°C after exposing them for 1,000 hours at 105°C without voltage applied. The rated voltage shall be applied to the capacitors before the measurements (Refer to JIS C 5101-4.4.1).</p>	Test Time	1,000 Hrs	Capacitance Change	Within ±20% of initial value	Tan $\delta$	Less than 150% of specified value	Leakage Current	Within specified value														
Test Time	1,000 Hrs																						
Capacitance Change	Within ±20% of initial value																						
Tan $\delta$	Less than 150% of specified value																						
Leakage Current	Within specified value																						
Ripple Current & Frequency Multipliers	<table border="1"> <thead> <tr> <th>Frequency (Hz)</th> <th>50 / 60</th> <th>100 / 120</th> <th>300</th> <th>1k</th> <th>10k up</th> </tr> </thead> <tbody> <tr> <td>Multiplier</td> <td>0.8</td> <td>1.0</td> <td>1.1</td> <td>1.3</td> <td>1.4</td> </tr> </tbody> </table>	Frequency (Hz)	50 / 60	100 / 120	300	1k	10k up	Multiplier	0.8	1.0	1.1	1.3	1.4										
Frequency (Hz)	50 / 60	100 / 120	300	1k	10k up																		
Multiplier	0.8	1.0	1.1	1.3	1.4																		
Failure percentage	≤ 3 % (During useful life)																						
Failure rate	≤ 70 fit (70 10 <sup>-9</sup> /h)																						

### Diagram of Dimensions

Unit: mm



## Dimension & Permissible Ripple Current

Working Voltage V. DC	Capacitance 120Hz, 20°C μF	φ D×L mm	Ripple Current 120 Hz, 105°C A/rms	Tan δ at 120Hz, 20°C	ESR 120Hz, 20°C Ω	LC 5 minutes mA	Part Number
<b>160</b>	390	22 × 35	1.05	0.15	0.510	0.75	LSK391M2C--A2235
	470	20 × 40	1.16	0.15	0.423	0.82	LSK471M2C--A2040
	470	22 × 40	1.23	0.15	0.423	0.82	LSK471M2C--A2240
	470	25 × 30	1.17	0.15	0.423	0.82	LSK471M2C--A2530
	560	22 × 45	1.41	0.15	0.355	0.90	LSK561M2C--A2245
	560	25 × 35	1.36	0.15	0.355	0.90	LSK561M2C--A2535
	560	30 × 25	1.32	0.15	0.355	0.90	LSK561M2C--A3025
	680	22 × 50	1.63	0.15	0.293	0.99	LSK681M2C--A2250
	680	25 × 40	1.59	0.15	0.293	0.99	LSK681M2C--A2540
	680	30 × 30	1.56	0.15	0.293	0.99	LSK681M2C--A3030
	820	25 × 45	1.83	0.15	0.243	1.09	LSK821M2C--A2545
	820	30 × 35	1.83	0.15	0.243	1.09	LSK821M2C--A3035
	820	35 × 30	1.89	0.15	0.243	1.09	LSK821M2C--A3530
	1,000	25 × 50	2.12	0.15	0.199	1.20	LSK102M2C--A2550
	1,000	30 × 40	2.13	0.15	0.199	1.20	LSK102M2C--A3040
	1,000	35 × 30	2.08	0.15	0.199	1.20	LSK102M2C--A3530
	1,200	30 × 45	2.46	0.15	0.166	1.31	LSK122M2C--A3045
	1,200	35 × 35	2.42	0.15	0.166	1.31	LSK122M2C--A3535
	1,500	30 × 50	2.88	0.15	0.133	1.47	LSK152M2C--A3050
	1,500	35 × 40	2.86	0.15	0.133	1.47	LSK152M2C--A3540
1,800	35 × 45	3.29	0.15	0.111	1.50	LSK182M2C--A3545	
<b>200</b>	180	22 × 20	0.59	0.15	1.106	0.57	LSK181M2D--A2220
	220	22 × 25	0.72	0.15	0.905	0.63	LSK221M2D--A2225
	220	25 × 20	0.71	0.15	0.905	0.63	LSK221M2D--A2520
	270	22 × 30	0.81	0.15	0.737	0.70	LSK271M2D--A2230
	270	25 × 25	0.81	0.15	0.737	0.70	LSK271M2D--A2525
	330	22 × 35	0.92	0.15	0.603	0.77	LSK331M2D--A2235
	330	30 × 20	0.87	0.15	0.603	0.77	LSK331M2D--A3020
	390	22 × 40	1.02	0.15	0.510	0.84	LSK391M2D--A2240
	390	25 × 30	1.01	0.15	0.510	0.84	LSK391M2D--A2530
	390	30 × 25	1.01	0.15	0.510	0.84	LSK391M2D--A3025
	390	35 × 20	1.02	0.15	0.510	0.84	LSK391M2D--A3520
	470	22 × 45	1.10	0.15	0.423	0.92	LSK471M2D--A2245
	470	25 × 35	1.15	0.15	0.423	0.92	LSK471M2D--A2535
	470	35 × 20	1.12	0.15	0.423	0.92	LSK471M2D--A3520
	560	22 × 50	1.22	0.15	0.355	1.00	LSK561M2D--A2250
	560	25 × 40	1.19	0.15	0.355	1.00	LSK561M2D--A2540
	560	30 × 30	1.17	0.15	0.355	1.00	LSK561M2D--A3030
	560	35 × 25	1.31	0.15	0.355	1.00	LSK561M2D--A3525
	680	25 × 45	1.38	0.15	0.293	1.11	LSK681M2D--A2545
	680	30 × 35	1.37	0.15	0.293	1.11	LSK681M2D--A3035
820	30 × 40	1.50	0.15	0.243	1.21	LSK821M2D--A3040	
820	35 × 30	1.46	0.15	0.243	1.21	LSK821M2D--A3530	
1,000	30 × 50	1.91	0.15	0.199	1.34	LSK102M2D--A3050	
1,000	35 × 35	1.72	0.15	0.199	1.34	LSK102M2D--A3535	
1,200	35 × 40	1.93	0.15	0.166	1.47	LSK122M2D--A3540	
1,500	35 × 50	2.37	0.15	0.133	1.50	LSK152M2D--A3550	
1,800	35 × 55	2.70	0.15	0.111	1.50	LSK182M2D--A3555	
<b>250</b>	150	22 × 25	0.57	0.15	1.327	0.58	LSK151M2E--A2225
	180	25 × 20	0.61	0.15	1.106	0.64	LSK181M2E--A2520
	220	22 × 30	0.68	0.15	0.905	0.70	LSK221M2E--A2230
	220	25 × 25	0.75	0.15	0.905	0.70	LSK221M2E--A2525
	220	30 × 20	0.77	0.15	0.905	0.70	LSK221M2E--A3020
	270	22 × 35	0.78	0.15	0.737	0.78	LSK271M2E--A2235
	270	25 × 30	0.83	0.15	0.737	0.78	LSK271M2E--A2530
	270	30 × 20	0.79	0.15	0.737	0.78	LSK271M2E--A3020
	270	35 × 20	0.86	0.15	0.737	0.78	LSK271M2E--A3520
	330	22 × 40	0.91	0.15	0.603	0.86	LSK331M2E--A2240
	330	25 × 35	0.96	0.15	0.603	0.86	LSK331M2E--A2535
	390	22 × 50	1.08	0.15	0.510	0.94	LSK391M2E--A2250
	390	25 × 40	1.07	0.15	0.510	0.94	LSK391M2E--A2540
	390	30 × 30	1.07	0.15	0.510	0.94	LSK391M2E--A3030
	470	22 × 50	1.12	0.15	0.423	1.03	LSK471M2E--A2250
	470	25 × 45	1.15	0.15	0.423	1.03	LSK471M2E--A2545
470	30 × 35	1.19	0.15	0.423	1.03	LSK471M2E--A3035	

## Dimension & Permissible Ripple Current

Working Voltage V. DC	Capacitance 120Hz, 20°C μF	φD×L mm	Ripple Current 120 Hz, 105°C A/rms	Tan δ at 120Hz, 20°C	ESR 120Hz, 20°C Ω	LC 5 minutes mA	Part Number
<b>250</b>	470	35 × 25	1.10	0.15	0.423	1.03	LSK471M2E--A3525
	560	25 × 50	1.31	0.15	0.355	1.12	LSK561M2E--A2550
	560	30 × 35	1.25	0.15	0.355	1.12	LSK561M2E--A3035
	560	35 × 30	1.29	0.15	0.355	1.12	LSK561M2E--A3530
	680	30 × 40	1.36	0.15	0.293	1.24	LSK681M2E--A3040
	680	35 × 40	1.57	0.15	0.293	1.24	LSK681M2E--A3540
	820	30 × 50	1.65	0.15	0.243	1.36	LSK821M2E--A3050
	1,000	35 × 40	1.76	0.15	0.199	1.50	LSK102M2E--A3540
<b>315</b>	120	22 × 25	0.51	0.15	1.659	0.58	LSK121M2F--A2225
	150	22 × 30	0.62	0.15	1.327	0.65	LSK151M2F--A2230
	180	22 × 35	0.72	0.15	1.106	0.71	LSK181M2F--A2235
	180	25 × 30	0.73	0.15	1.106	0.71	LSK181M2F--A2530
	220	22 × 40	0.85	0.15	0.905	0.79	LSK221M2F--A2240
	220	25 × 35	0.86	0.15	0.905	0.79	LSK221M2F--A2535
	220	30 × 25	0.84	0.15	0.905	0.79	LSK221M2F--A3025
	270	22 × 45	0.99	0.15	0.737	0.87	LSK271M2F--A2245
	270	25 × 40	1.01	0.15	0.737	0.87	LSK271M2F--A2540
	270	30 × 30	1.00	0.15	0.737	0.87	LSK271M2F--A3030
	330	22 × 55	1.20	0.15	0.603	0.97	LSK331M2F--A2255
	330	25 × 45	1.18	0.15	0.603	0.97	LSK331M2F--A2545
	330	30 × 35	1.17	0.15	0.603	0.97	LSK331M2F--A3035
	330	35 × 25	1.13	0.15	0.603	0.97	LSK331M2F--A3525
	390	25 × 50	1.34	0.15	0.510	1.05	LSK391M2F--A2550
	390	30 × 40	1.35	0.15	0.510	1.05	LSK391M2F--A3040
	390	35 × 30	1.31	0.15	0.510	1.05	LSK391M2F--A3530
	470	30 × 45	1.56	0.15	0.423	1.15	LSK471M2F--A3045
	470	35 × 35	1.53	0.15	0.423	1.15	LSK471M2F--A3535
	560	30 × 50	1.78	0.15	0.355	1.26	LSK561M2F--A3050
560	35 × 40	1.77	0.15	0.355	1.26	LSK561M2F--A3540	
680	35 × 45	2.04	0.15	0.293	1.39	LSK681M2F--A3545	
820	35 × 50	2.35	0.15	0.243	1.50	LSK821M2F--A3550	
<b>350</b>	56	22 × 20	0.32	0.15	3.554	0.42	LSK560M2V--A2220
	68	22 × 25	0.39	0.15	2.927	0.46	LSK680M2V--A2225
	82	22 × 30	0.49	0.15	2.427	0.51	LSK820M2V--A2230
	82	25 × 20	0.44	0.15	2.427	0.51	LSK820M2V--A2520
	100	22 × 25	0.45	0.15	1.990	0.56	LSK101M2V--A2225
	100	25 × 25	0.49	0.15	1.990	0.56	LSK101M2V--A2525
	120	22 × 30	0.53	0.15	1.659	0.61	LSK121M2V--A2230
	120	25 × 30	0.55	0.15	1.659	0.61	LSK121M2V--A2530
	120	30 × 20	0.52	0.15	1.659	0.61	LSK121M2V--A3020
	150	22 × 35	0.58	0.15	1.327	0.69	LSK151M2V--A2235
	150	25 × 25	0.54	0.15	1.327	0.69	LSK151M2V--A2525
	150	30 × 25	0.63	0.15	1.327	0.69	LSK151M2V--A3025
	150	35 × 20	0.64	0.15	1.327	0.69	LSK151M2V--A3520
	180	22 × 40	0.67	0.15	1.106	0.75	LSK181M2V--A2240
	180	25 × 30	0.64	0.15	1.106	0.75	LSK181M2V--A2530
	220	22 × 45	0.78	0.15	0.905	0.83	LSK221M2V--A2245
	220	25 × 35	0.76	0.15	0.905	0.83	LSK221M2V--A2535
	220	30 × 25	0.73	0.15	0.905	0.83	LSK221M2V--A3025
	220	35 × 30	0.87	0.15	0.905	0.83	LSK221M2V--A3530
	270	22 × 50	0.88	0.15	0.737	0.92	LSK271M2V--A2250
	270	25 × 40	0.85	0.15	0.737	0.92	LSK271M2V--A2540
	270	30 × 30	0.84	0.15	0.737	0.92	LSK271M2V--A3030
	270	35 × 25	0.86	0.15	0.737	0.92	LSK271M2V--A3525
	330	25 × 45	0.99	0.15	0.603	1.02	LSK331M2V--A2545
	330	30 × 35	0.99	0.15	0.603	1.02	LSK331M2V--A3035
	390	30 × 40	1.14	0.15	0.510	1.11	LSK391M2V--A3040
	390	35 × 30	1.11	0.15	0.510	1.11	LSK391M2V--A3530
	470	30 × 45	1.19	0.15	0.423	1.22	LSK471M2V--A3045
	470	35 × 35	1.18	0.15	0.423	1.22	LSK471M2V--A3535
	560	30 × 50	1.32	0.15	0.355	1.33	LSK561M2V--A3050
	560	35 × 40	1.32	0.15	0.355	1.33	LSK561M2V--A3540
	680	35 × 45	1.52	0.15	0.293	1.46	LSK681M2V--A3545
820	35 × 50	1.75	0.15	0.243	1.50	LSK821M2V--A3550	

## Dimension & Permissible Ripple Current

Working Voltage V. DC	Capacitance 120Hz, 20°C μF	φ D×L mm	Ripple Current 120 Hz, 105°C A/rms	Tan δ at 120Hz, 20°C	ESR 120Hz, 20°C Ω	LC 5 minutes mA	Part Number
<b>400</b>	56	22 × 25	0.34	0.15	3.554	0.45	LSK560M2G--A2225
	68	25 × 20	0.37	0.15	2.927	0.49	LSK680M2G--A2520
	82	22 × 35	0.50	0.15	2.427	0.54	LSK820M2G--A2235
	82	30 × 20	0.50	0.15	2.427	0.54	LSK820M2G--A3020
	100	22 × 30	0.51	0.15	1.990	0.60	LSK101M2G--A2230
	100	25 × 25	0.51	0.15	1.990	0.60	LSK101M2G--A2525
	100	30 × 25	0.58	0.15	1.990	0.60	LSK101M2G--A3025
	120	22 × 35	0.59	0.15	1.659	0.66	LSK121M2G--A2235
	120	25 × 25	0.55	0.15	1.659	0.66	LSK121M2G--A2525
	120	35 × 20	0.65	0.15	1.659	0.66	LSK121M2G--A3520
	150	22 × 40	0.70	0.15	1.327	0.73	LSK151M2G--A2240
	150	25 × 30	0.67	0.15	1.327	0.73	LSK151M2G--A2530
	180	22 × 45	0.81	0.15	1.106	0.80	LSK181M2G--A2245
	180	25 × 35	0.78	0.15	1.106	0.80	LSK181M2G--A2535
	180	30 × 25	0.76	0.15	1.106	0.80	LSK181M2G--A3025
	220	22 × 50	0.94	0.15	0.905	0.89	LSK221M2G--A2250
	220	25 × 40	0.91	0.15	0.905	0.89	LSK221M2G--A2540
	220	30 × 30	0.90	0.15	0.905	0.89	LSK221M2G--A3030
	270	25 × 45	1.06	0.15	0.737	0.99	LSK271M2G--A2545
	270	30 × 35	1.06	0.15	0.737	0.99	LSK271M2G--A3035
	270	35 × 25	1.02	0.15	0.737	0.99	LSK271M2G--A3525
	330	25 × 50	1.23	0.15	0.603	1.09	LSK331M2G--A2550
	330	30 × 40	1.24	0.15	0.603	1.09	LSK331M2G--A3040
	330	35 × 30	1.21	0.15	0.603	1.09	LSK331M2G--A3530
	390	30 × 45	1.42	0.15	0.510	1.18	LSK391M2G--A3045
	390	35 × 35	1.40	0.15	0.510	1.18	LSK391M2G--A3535
	470	30 × 50	1.63	0.15	0.423	1.30	LSK471M2G--A3050
470	35 × 40	1.62	0.15	0.423	1.30	LSK471M2G--A3540	
560	35 × 45	1.86	0.15	0.355	1.42	LSK561M2G--A3545	
<b>420</b>	39	22 × 25	0.25	0.15	5.104	0.38	LSK390M2P--A2225
	68	25 × 25	0.36	0.15	2.927	0.51	LSK680M2P--A2525
	100	22 × 30	0.43	0.15	1.990	0.61	LSK101M2P--A2230
	100	25 × 25	0.43	0.15	1.990	0.61	LSK101M2P--A2525
	120	22 × 35	0.50	0.15	1.659	0.67	LSK121M2P--A2235
	120	35 × 25	0.59	0.15	1.659	0.67	LSK121M2P--A3525
	150	22 × 40	0.61	0.15	1.327	0.75	LSK151M2P--A2240
	150	25 × 30	0.58	0.15	1.327	0.75	LSK151M2P--A2530
	150	30 × 25	0.58	0.15	1.327	0.75	LSK151M2P--A3025
	180	22 × 45	0.70	0.15	1.106	0.82	LSK181M2P--A2245
	180	25 × 35	0.68	0.15	1.106	0.82	LSK181M2P--A2535
	180	30 × 30	0.71	0.15	1.106	0.82	LSK181M2P--A3030
	220	22 × 50	0.82	0.15	0.905	0.91	LSK221M2P--A2250
	220	25 × 40	0.80	0.15	0.905	0.91	LSK221M2P--A2540
	220	30 × 35	0.84	0.15	0.905	0.91	LSK221M2P--A3035
	220	35 × 25	0.78	0.15	0.905	0.91	LSK221M2P--A3525
	270	25 × 45	0.93	0.15	0.737	1.01	LSK271M2P--A2545
	270	30 × 40	0.98	0.15	0.737	1.01	LSK271M2P--A3040
	270	35 × 30	0.92	0.15	0.737	1.01	LSK271M2P--A3530
	330	25 × 55	1.12	0.15	0.603	1.12	LSK331M2P--A2555
	330	30 × 45	1.14	0.15	0.603	1.12	LSK331M2P--A3045
	330	35 × 35	1.09	0.15	0.603	1.12	LSK331M2P--A3535
	390	30 × 50	1.25	0.15	0.510	1.21	LSK391M2P--A3050
	390	35 × 40	1.25	0.15	0.510	1.21	LSK391M2P--A3540
	470	35 × 45	1.44	0.15	0.423	1.33	LSK471M2P--A3545
	560	35 × 50	1.64	0.15	0.355	1.45	LSK561M2P--A3550
	<b>450</b>	39	22 × 25	0.37	0.15	5.104	0.40
68		25 × 25	0.47	0.15	2.927	0.52	LSK680M2W--A2525
82		22 × 30	0.61	0.15	2.427	0.58	LSK820M2W--A2230
100		22 × 45	0.64	0.15	1.990	0.64	LSK101M2W--A2245
100		25 × 25	0.67	0.15	1.990	0.64	LSK101M2W--A2525
100		30 × 25	0.57	0.15	1.990	0.64	LSK101M2W--A3025
120		22 × 35	0.72	0.15	1.659	0.70	LSK121M2W--A2235
120		25 × 30	0.73	0.15	1.659	0.70	LSK121M2W--A2530
150		25 × 35	0.87	0.15	1.327	0.78	LSK151M2W--A2535
150		30 × 30	0.71	0.15	1.327	0.78	LSK151M2W--A3030

## Dimension & Permissible Ripple Current

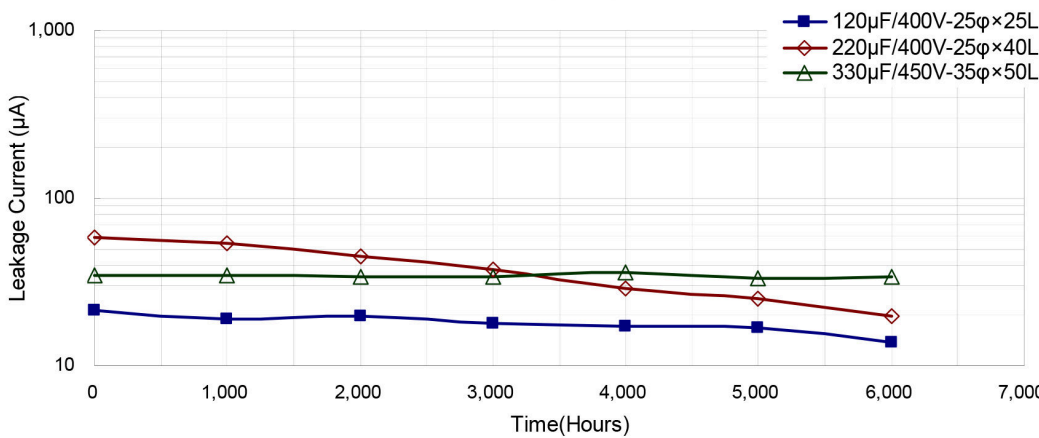
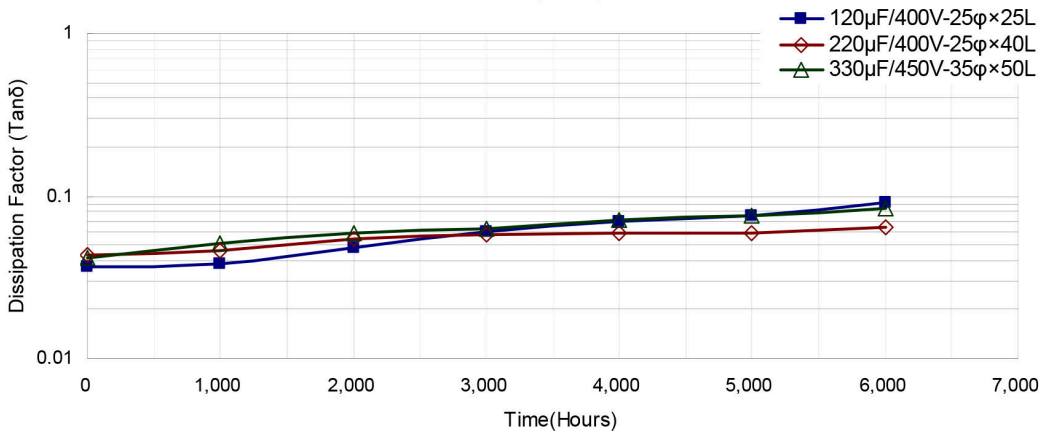
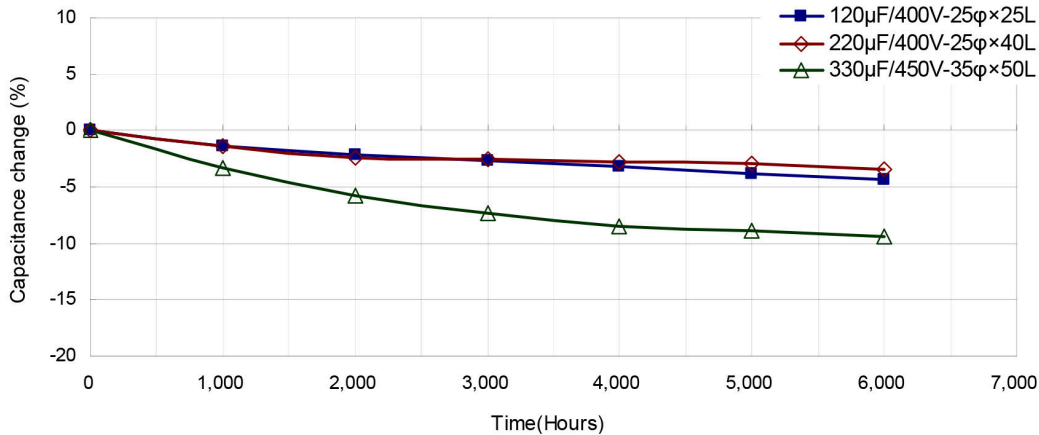
Working Voltage V. DC	Capacitance 120Hz, 20°C μF	φ D×L mm	Ripple Current 120 Hz, 105°C A/rms	Tan δ at 120Hz, 20°C	ESR 120Hz, 20°C Ω	LC 5 minutes mA	Part Number
<b>450</b>	180	22 × 50	0.98	0.15	1.106	0.85	LSK181M2W--A2250
	180	25 × 40	1.01	0.15	1.106	0.85	LSK181M2W--A2540
	180	30 × 30	1.00	0.15	1.106	0.85	LSK181M2W--A3030
	220	25 × 45	1.07	0.15	0.905	0.94	LSK221M2W--A2545
	220	30 × 35	1.07	0.15	0.905	0.94	LSK221M2W--A3035
	220	35 × 25	1.03	0.15	0.905	0.94	LSK221M2W--A3525
	270	30 × 40	1.25	0.15	0.737	1.05	LSK271M2W--A3040
	270	35 × 30	1.30	0.15	0.737	1.05	LSK271M2W--A3530
	330	30 × 45	1.46	0.15	0.603	1.16	LSK331M2W--A3045
	330	35 × 35	1.44	0.15	0.603	1.16	LSK331M2W--A3535
	390	35 × 45	1.69	0.15	0.510	1.26	LSK391M2W--A3545
	470	35 × 50	1.87	0.15	0.423	1.38	LSK471M2W--A3550
<b>500</b>	47	22 × 25	0.30	0.15	4.235	0.46	LSK470M2H--A2225
	56	22 × 30	0.35	0.15	3.554	0.50	LSK560M2H--A2230
	56	25 × 25	0.35	0.15	3.554	0.50	LSK560M2H--A2525
	68	22 × 30	0.39	0.15	2.927	0.55	LSK680M2H--A2230
	68	25 × 30	0.42	0.15	2.927	0.55	LSK680M2H--A2530
	82	22 × 35	0.46	0.15	2.427	0.61	LSK820M2H--A2235
	82	25 × 30	0.46	0.15	2.427	0.61	LSK820M2H--A2530
	100	22 × 40	0.54	0.15	1.990	0.67	LSK101M2H--A2240
	100	25 × 35	0.54	0.15	1.990	0.67	LSK101M2H--A2535
	120	22 × 45	0.62	0.15	1.659	0.73	LSK121M2H--A2245
	120	25 × 40	0.63	0.15	1.659	0.73	LSK121M2H--A2540
	150	22 × 50	0.73	0.15	1.327	0.82	LSK151M2H--A2250
	150	25 × 45	0.75	0.15	1.327	0.82	LSK151M2H--A2545
	150	30 × 30	0.7	0.15	1.327	0.82	LSK151M2H--A3030
	180	25 × 50	0.86	0.15	1.106	0.90	LSK181M2H--A2550
	180	30 × 35	0.81	0.15	1.106	0.90	LSK181M2H--A3035
	220	25 × 50	0.95	0.15	0.905	0.99	LSK221M2H--A2550
	220	30 × 45	1.00	0.15	0.905	0.99	LSK221M2H--A3045
	220	35 × 30	0.93	0.15	0.905	0.99	LSK221M2H--A3530
	270	35 × 35	1.09	0.15	0.737	1.10	LSK271M2H--A3535
330	35 × 40	1.28	0.15	0.603	1.22	LSK331M2H--A3540	

## Part Numbering System

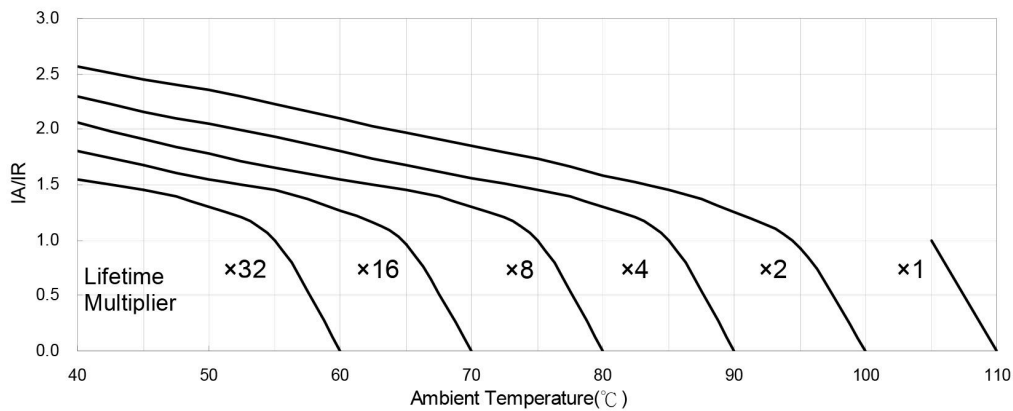
LSK series	100μF	±20%	400V	--	4.0±0.5mm	22 φ × 30L	Pb-free Terminal + PET Sleeve																								
<b>LSK</b>	<b>101</b>	<b>M</b>	<b>2G</b>	<b>--</b>	<b>A</b>	<b>2230</b>																									
Series name	Capacitance	Capacitance tolerance	Rated voltage	Terminal type	Terminal length	Case size	Terminal and Sleeve Type																								
Example:	Example:	Example:	Example:	Example:	Example:	Example:																									
<table border="1"> <tr><th>Cap.</th><th>Symbol</th></tr> <tr><td>56</td><td>560</td></tr> <tr><td>220</td><td>221</td></tr> <tr><td>470</td><td>471</td></tr> </table>	Cap.	Symbol	56	560	220	221	470	471	<table border="1"> <tr><th>WV</th><th>Symbol</th></tr> <tr><td>400</td><td>2G</td></tr> <tr><td>450</td><td>2W</td></tr> </table>	WV	Symbol	400	2G	450	2W	<table border="1"> <tr><th>Type</th><th>Symbol</th></tr> <tr><td>2 pins</td><td>--</td></tr> <tr><td>5 pins</td><td>L5</td></tr> </table>	Type	Symbol	2 pins	--	5 pins	L5	<table border="1"> <tr><th>φ D×L</th><th>Code</th></tr> <tr><td>22×30</td><td>2230</td></tr> <tr><td>25×25</td><td>2525</td></tr> <tr><td>30×40</td><td>3040</td></tr> </table>	φ D×L	Code	22×30	2230	25×25	2525	30×40	3040
Cap.	Symbol																														
56	560																														
220	221																														
470	471																														
WV	Symbol																														
400	2G																														
450	2W																														
Type	Symbol																														
2 pins	--																														
5 pins	L5																														
φ D×L	Code																														
22×30	2230																														
25×25	2525																														
30×40	3040																														
	M = ±20% K = ±10%				6.3±1.0 mm																										

Note: For more details, please refer to "Part Numbering System (Snap-in Type)" on page 13.

## Typical Endurance Curves



## Useful Life Chart



IA: Actual Ripple Current IR: Rated Ripple Current