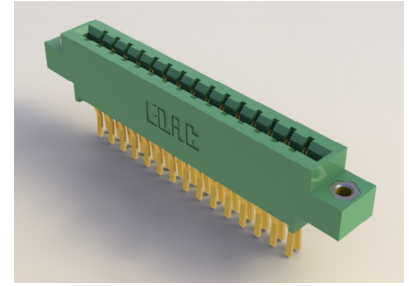


Card Edge Connectors 0.156" (3.96mm) Pitch

Features:

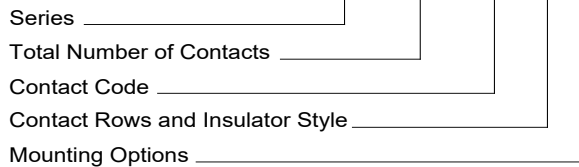
- 0.156" (3.96mm) contact spacing x 0.200" (5.08mm) row spacing
- Accepts 0.062" (1.57mm) nominal thickness P.C. board
- High profile insulator body, 0.600" (15.24mm)
- Card slot depth of 0.388" (9.86mm)
- Contact termination options include P.C. tail, wire hole, wire wrap, 90 degree and extender board bends
- Single or dual row configurations
- Large variety of mounting options, flush or offset lugs
- Accepts between contact and in-contact polarizing keys
- RoHS Compliant



Specifications:

| | |
|---------------------------------|--|
| Insulator Material | UL 94V-0 Thermoplastic Polyester, Green Color |
| Contact Material | Copper Alloy |
| Contact Plating | Gold Plating on mating area and Tin Plating on tails with Nickel underplating all over |
| Current Rating | 3 amps |
| Contact Resistance | 10 milliohms maximum |
| Dielectric Withstanding Voltage | 1800 V AC rms at sea level between adjacent contacts |
| Insulation Resistance | 5000 megaohms minimum |
| Operating Temperature | -40°C to +105°C |
| Insertion Force | 16 oz (4.45 N) maximum per contact pair when tested with .070" (1.78mm) thick gauge |
| Withdrawal Force | 1 oz (0.28 N) minimum per contact pair when tested with .054" (1.37mm) thick gauge |

Example Part Number: **333-044-520-204**

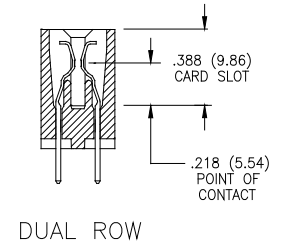
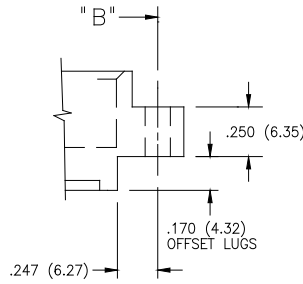
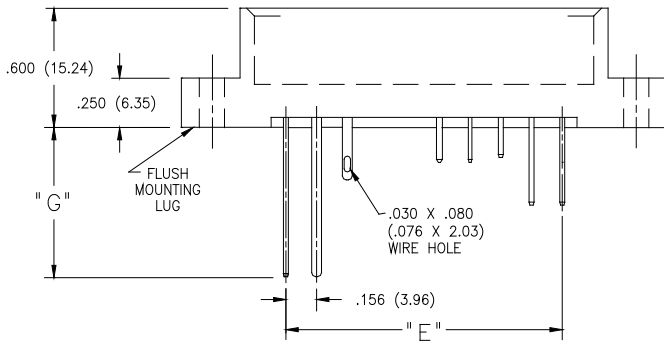
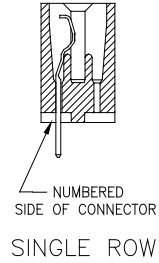
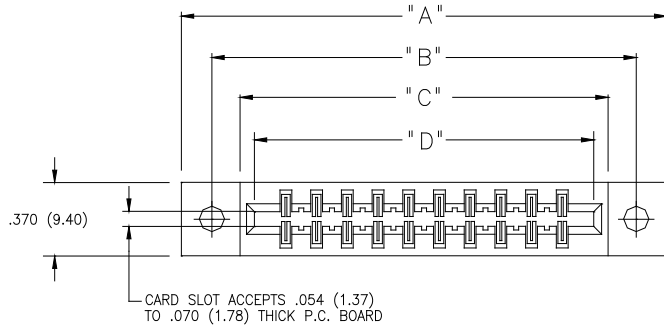


| Series: | Contact Code | Tail Description | Tail Size | Tail Length "G" |
|----------------------------------|--------------|---------------------|---------------------------|-----------------|
| 333 | 500 | Wire Hole | .050 x .025 (1.27 x 0.64) | .260 (6.60) |
| Total Number of Contacts: | 520 | P.C. Tail | .030 x .018 (0.76 x 0.46) | .175 (4.45) |
| 006, 007, 043 | 521 | P.C. Tail | .025 Square (0.64 Square) | .150 (3.81) |
| Contact Rows: | 523 | P.C. Tail | .025 Square (0.64 Square) | .390 (9.91) |
| 012, 014, 086 | 524 | P.C. Tail | .018 Square (0.46 Square) | .175 (4.45) |
| Description: | 540 | Wire Wrap | .025 Square (0.64 Square) | .560 (14.22) |
| 1 | 541 | Wire Wrap | .025 Square (0.64 Square) | .750 (19.05) |
| 2 | 542 | Wire Wrap | .025 Square (0.64 Square) | .645 (16.38) |
| 6 | 544 | Wire Wrap | .050 x .025 (1.27 x 0.64) | .750 (19.05) |
| 8 | 555 | EXTENDER BOARD BEND | (Code 500 Contacts) | |
| Insulator Style: | 556 | EXTENDER BOARD BEND | (Code 520 Contacts) | |
| 1 | 558 | 90 DEGREE BEND | (Code 541 Contacts) | |
| Mounting Options: | 559 | 90 DEGREE BEND | (Code 541 Contacts) | |
| 01 | 560 | EXTENDER BOARD BEND | (Code 523 Contacts) | |
| 02 | | | | |
| 03 | | | | |
| 04 | | | | |
| 07 | | | | |
| 08 | | | | |
| 12 | | | | |

Ordering Code Notes:

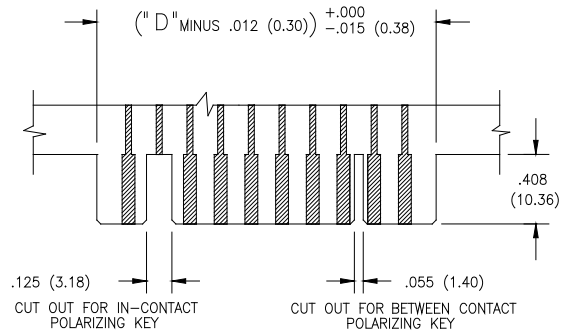
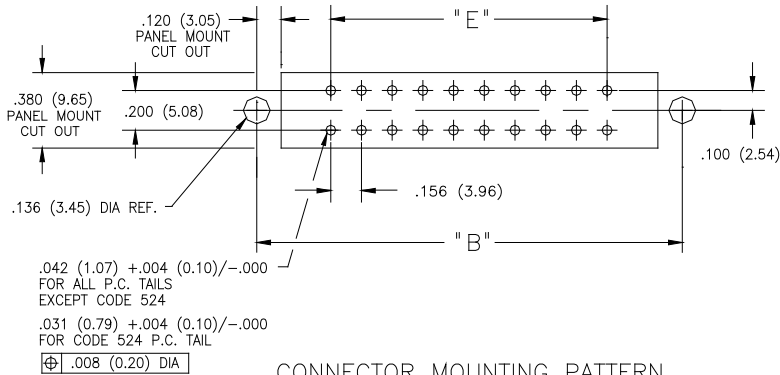
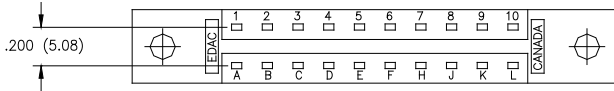
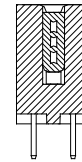
- 1) All connector sizes up to 43 contacts single row / 86 contacts dual row are available upon request.
- 2) When the 500 contact code is ordered, Green Diallyl Phthalate insulator material will be supplied.
- 3) For details of the extender board and 90 degree bends refer to next page.
- 4) For lugless connectors, code 01 mounting, specify contact row code 1 or 2.
- 5) For details of the mounting options refer to next pages.

Card Edge Connectors 0.156" (3.96mm) Pitch



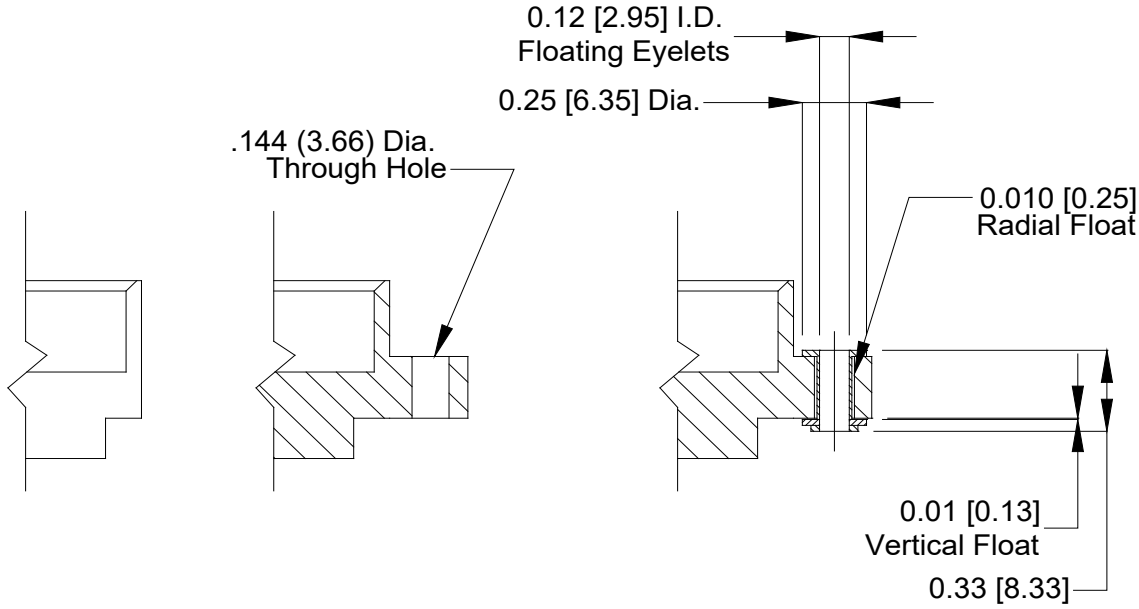
IN-CONTACT POLARIZING KEY
P/N 345-240-328

BETWEEN CONTACT POLARIZING KEY
P/N 306-240-318



| NUMBER OF CONTACTS | | "A" | | "B" | | "C" | | "D" | | "E" | |
|--------------------|--------|-------|--------|-------|--------|-------|--------|-------|--------|-------|--------|
| Single | Double | Inch | mm | Inch | mm | Inch | mm | Inch | mm | Inch | mm |
| 6 | 12 | 1.784 | 45.31 | 1.534 | 38.96 | 1.261 | 32.03 | 1.100 | 27.94 | 0.780 | 19.81 |
| 10 | 20 | 2.408 | 61.16 | 2.158 | 54.81 | 1.885 | 47.88 | 1.724 | 43.79 | 1.404 | 35.66 |
| 15 | 30 | 3.148 | 79.96 | 2.898 | 73.61 | 2.625 | 66.68 | 2.464 | 62.59 | 2.144 | 54.46 |
| 18 | 36 | 3.656 | 92.86 | 3.406 | 86.51 | 3.133 | 79.58 | 2.972 | 75.49 | 2.652 | 67.36 |
| 22 | 44 | 4.280 | 108.71 | 4.030 | 102.36 | 3.757 | 95.43 | 3.596 | 91.34 | 3.276 | 83.21 |
| 28 | 56 | 5.216 | 132.49 | 4.966 | 126.14 | 4.693 | 119.20 | 4.532 | 115.11 | 4.212 | 106.98 |
| 36 | 72 | 6.464 | 164.19 | 6.214 | 157.84 | 5.941 | 150.90 | 5.780 | 146.81 | 5.460 | 138.68 |
| 37 | 74 | 6.620 | 168.15 | 6.370 | 161.80 | 6.097 | 154.86 | 5.936 | 150.77 | 5.616 | 142.65 |
| 43 | 86 | 7.556 | 191.92 | 7.306 | 185.57 | 7.033 | 178.64 | 6.872 | 174.55 | 6.552 | 166.42 |

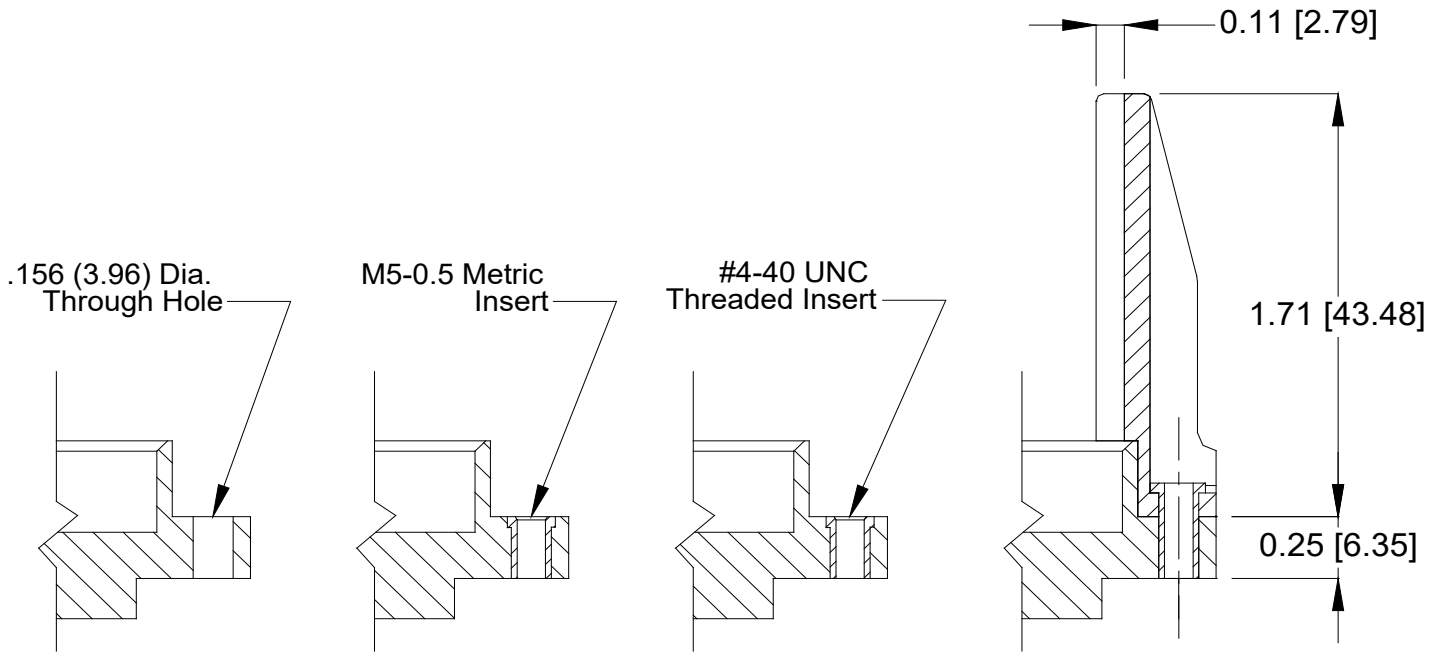
Mounting Options:



Code x01

Code x02

Code x03



Code x04

Code x07

Code x08

Code x78