

PRODUCT NUMBER

77313-YXX-XXLF

PLATING SEE SHEET 2

PIN STYLE SEE SHEET 2

WHEN REQUIRED, ADD SUFFIX LETTER "LF" INDICATES THE PRODUCT IS RoHS COMPATIBLE, SEE NOTE 7

TOTAL NB OF POSITIONS 04 TO 72

OPTION LETTERS : NOTE 8

PRODUCT NUMBER (BERGSTRIK PACKAGING)

77313-YXX-00LF

PLATING

1= 0.76µm GOLD/GXT ON CONTACT AREA, 2µm TIN MIN ON TAILS

8= 0.38µm GOLD/GXT ON CONTACT AREA, 2µm TIN MIN ON TAILS

4= 2.0µm TIN MIN FULL PLATED 1.27µm NICKEL MIN UNDERLAYER FOR ALL PLATING VERSIONS

INDICATES THE PRODUCT IS RoHS COMPATIBLE, SEE NOTE 6

POSITIONS PER REEL : 00=45,000 (BERGSTRIK)

PIN STYLE	MATING	SOLDER	OAL
01	5.84	2.41	10.8
02	5.84	3.42	11.8
18	5.84	3.05	11.43
22	7.75	3.05	13.35
24	6.75	2.9	12.2
27	6.6	2.66	11.8

NOTES:

1. HOUSING MAT'L : HIGH TEMPERATURE THERMOPLASTIC. UL94V-0 COLOR: BLACK

2. PIN MATERIAL : PHOSPHOR BRONZE

3. BERGSTRIK PRODUCT PACKAGED IN POLY BAGS. BERGSTRIK PRODUCT PACKAGED PER REELS.

4. 9N MIN RETENTION IN EITHER DIRECTION

5. TO DETERMINE DIMENSIONS : N = NUMBER OF POSITIONS PER ROW EXAMPLE : 8 POS N x 2.54 = 20.32mm

6. FOR PIN IN PASTE SOLDERING APPLICATION : FINISHED PLATED HOLE Ø1.02-Ø1.06 LAND Ø1.45 MAX

7. RoHS COMPATIBLE PRODUCT SPECIFICATIONS

a - PLATING:

- "LF" MEANS THE PRODUCT IS LEAD-FREE, 2µm MINIMUM MATTE TIN OVER 1.27µm MINIMUM NICKEL UNDERPLATE

b - MANUFACTURING PROCESS COMPATIBILITY

- THE HOUSING WILL WITHSTAND EXPOSURE TO 260°C ±5°C SOLDER BATH TEMPERATURE FOR 5 SECONDS IN A WAVE SOLDER APPLICATION WITH A 1.6mm MIN THICK CIRCUIT BOARD

c - LABELING:

- MEETS PACKAGING SPECS AS PER GS-14-920

d - LEGAL STATEMENT: SEE GS-22-008

8. OPTIONS :

- = POLYBAG PACK

"A" = TAPE & REEL WITH CAP

"T" = STANDARD TUBE PACKAGING

"V" = BLIBOX PACK FOR VALEO

"AV" = TAPE & REEL WITH CAP FOR VALEO

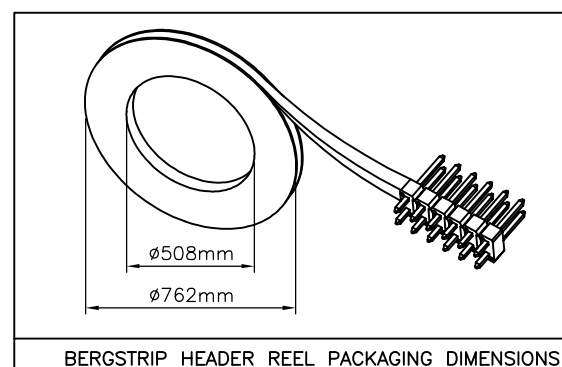
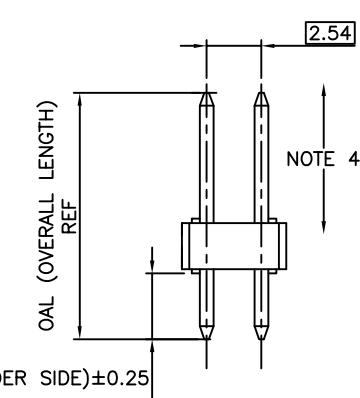
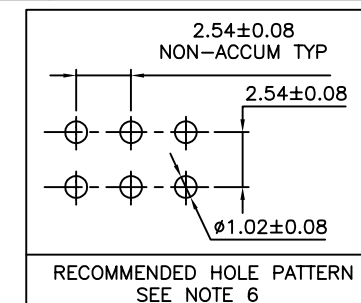
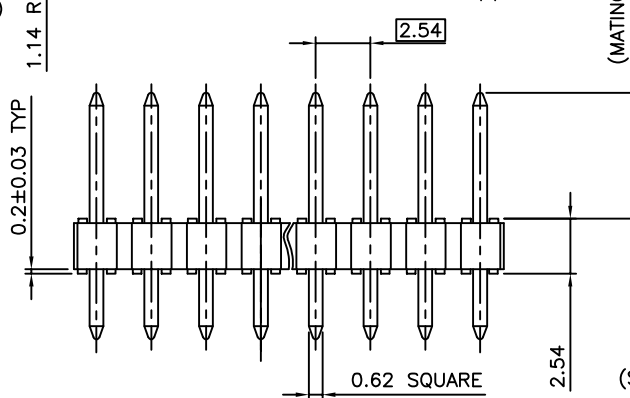
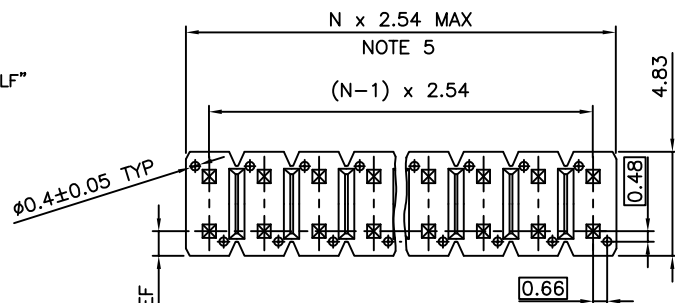
"KV" = TAPE & REEL WITHOUT CAP FOR VALEO

"TV" = TUBE WITHOUT CAP FOR VALEO

"R" = RETENTION FEATURE PAGE 2

IF RETENTION FEATURE "R" AND TUBE PACKAGING "T" ARE BOTH REQUIRED OPTIONAL LETTER "R" WILL APPEAR INSTEAD OF THE FIRST DASH

EXAMPLE : 77313R118T40LF

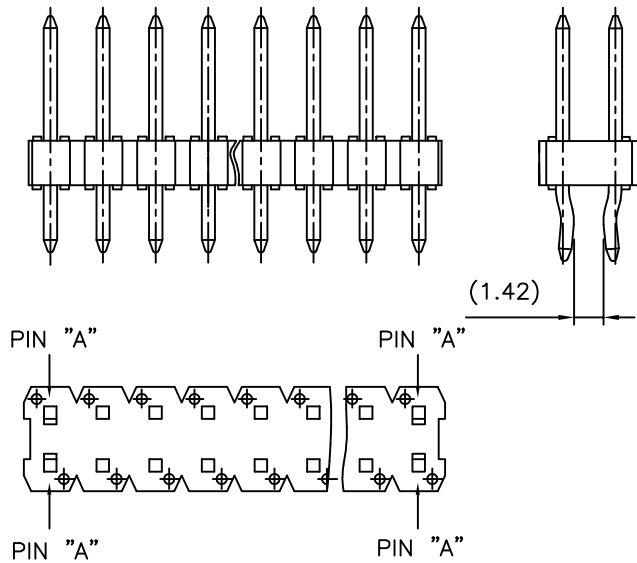


mat'l. code		surface		tolerance		projection		product family	
SEE NOTES		ISO 1302		ISO 406 ISO 1101		mm		BERGSTIK	
ltr	ecn no	dr	date	tolerances unless otherwise specified		mm		title	
BP	F11-0320	LMU	12.01.25	angles	linear	.x ±0.3 .xx ±0.15 .xxx ±0.05		UNSHR.HEADER STR DR TMT	
BJ	F10-0066	JCO	10.06.22			scale 5:1		dwg no	
BK	F10-0069	JCO	10.07.05	dr	D.LE	01.01.24		sheet 1 of 2	
BL	F10-0099	LMU	10.09.08	enrg	JM.C	01.01.24		size	
BM	F11-0055	LMU	11.06.08	chr	JM.C	01.01.24		77313	
BN	F11-0307	LMU	11.09.26	appd	JCO	01.01.24		A3	
sheet	revision	BP	BC					type	
index	sheet	1	2					CUSTOMER Drawing	

PLATING

- 1 = 0.76µm GOLD/GXT ON CONTACT AREA 3.81µm TIN-LEAD ON TAIL
- 4 = 3.81µm TIN-LEAD ON CONTACT AREA 3.81µm TIN-LEAD ON TAIL
- 8 = 0.38µm GOLD/GXT ON CONTACT AREA 3.81µm TIN-LEAD ON TAIL
- G = 0.76µm FULL GXT
- S = 0.38µm FULL GXT
- 1.27µm NICKEL MIN UNDERLAYER FOR ALL PLATING VERSIONS
- WHEN "LF" IS REQUIRED, 2µm MATTE TIN OVER 1.27µm MIN NICKEL PROVIDED INSTEAD OF TIN-LEAD

RETENTION OPTION



NOTES:

1. PART NUMBER 77313-YXXRXX(LF)
2. 4 PINS "A" USED FOR RETENTION
DIRECTION OF RETENTION SHOWN BY ARROWS
PIN "A" AT EACH END OF HEADER.
3. FOR RETENTION OPTION , SOLDER TAIL LENGTH TO BE
2.9 MIN UP TO 3.5 MAX.

PRODUCTS SPECIFICATIONS			
PIN STYLE	MATING	SOLDER	OAL
01	5.84	2.41	10.8
02	5.84	3.42	11.8
03	5.72	5.09	13.35
04	5.72	7.64	15.90
15	8.51	2.55	13.6
18	5.84	3.05	11.43
19	12.83	3.03	18.4
20	15.37	3.04	20.95
22	7.75	3.05	13.35
24	6.75	2.9	12.2
27	6.6	2.65	11.8
29	17.46	3.50	23.5
38	5.84	3.82	12.20
46	8.08	2.98	13.6
52	9.5	3.05	15.09
57	8.46	3.05	14.05
58	14.47	3.05	20.06
83	20.46	3.0	26.0
85	10.5	2.9	15.9
87	6.98	3.05	12.57

PRODUCTS SPECIFICATIONS			
PIN STYLE	MATING	SOLDER	OAL
89	6.93	5.00	14.47
90	6.75	4.05	13.34
91	5.60	10.21	18.4
92	5.65	12.76	20.95
93	6.00	4.81	13.35
94	9.65	2.90	15.09
95	8.90	3.60	15.09
96	20.83	3.05	26.42
97	14.70	3.70	20.95
98	6.00	6.00	14.47
99	8.05	2.25	12.8
AA	11.90	3.30	17.70
AB	7.00	1.50	11.00
AC	N/A		
AD	8.51	10.59	21.64
AE	3.30	3.30	9.14
AF	N/A		
AG	4.79	3.00	10.33

mat'l. code		surface	tolerance	projection	product family
		ISO 1302	ISO 406 ISO 1101		BERGSTIK
ltr	ecn no	dr	date	title	
AW	F08-0148	RTR	08.03.31	UNSHR.HEADER	
AX	F08-0205	LMU	08.07.24	STR DR TMT	
AY	F09-0095	JCO	09.11.02	mm	
BA	F11-0055	LMU	11.06.08	scale N/A	
BB	F11-0307	LMU	11.09.26	dwg no	
BC	F11-0320	LMU	12.01.25	sheet 2 of - size	
				77313 A3	
				type CUSTOMER Drawing	
sheet index	revision sheet				