

PUSH - PULL SINGLE OUTPUT

Turns Ratio (± 5%)

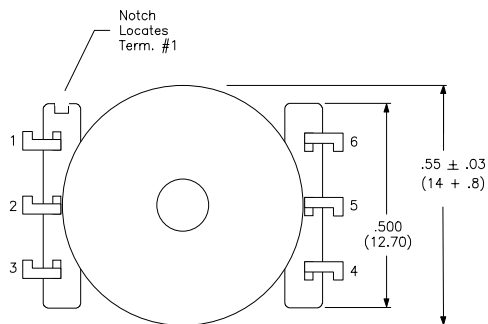
1CT:1CT

PARAMETER	MIN.	MAX.	UNITS
Inductance	8		mH
Primary DC Resistance		2.0	ohms
Secondary DC Resistance		2.4	ohms
Dielectric Strength	2000		VRMS
Output Power		1.5	Watts

Test Conditions:

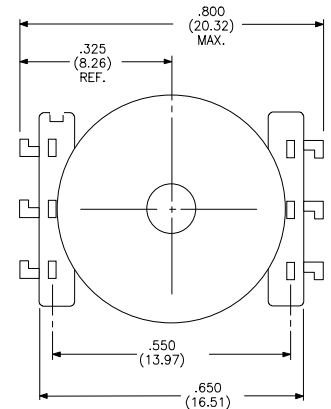
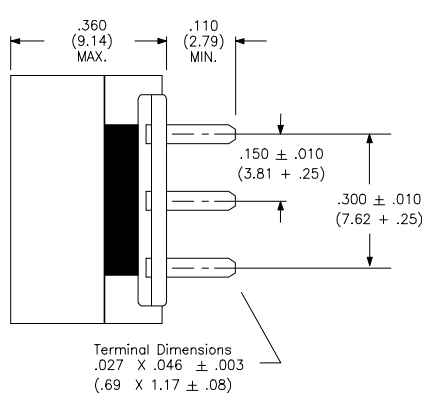
Inductance tested on Primary at 100mV and 100KHz

PHYSICAL DIMENSIONS All dimensions in inches (mm):

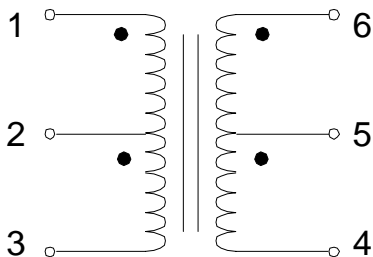


Termination Numbers for Reference Only.

Tolerances + .015 (.38) Unless Otherwise Specified.



SCHEMATIC DIAGRAM:



RHOMBUS P/N: T-1034

CUST P/N:

NAME:

DATE: 3/03/95

SHEET: