

**PLEASE CHECK WWW.MOLEX.COM FOR LATEST PART INFORMATION**

**Part Number:** [0366440008](#)

**Status:** **Active**

**Overview:** [mlx](#)

**Description:** 2.13mm (.084") Diameter MLX™ Pin and Socket Receptacle, 15 Circuit, PA Polyamide Nylon 6/6 94V-2, Glow Wire Compatible

**Documents:**

[3D Model](#)

[Product Specification PS-42022-0001 \(PDF\)](#)

[Drawing \(PDF\)](#)

[RoHS Certificate of Compliance \(PDF\)](#)

**General**

Product Family	Crimp Housings
Series	<a href="#">36644</a>
Overview	<a href="#">mlx</a>
Product Name	MLX™

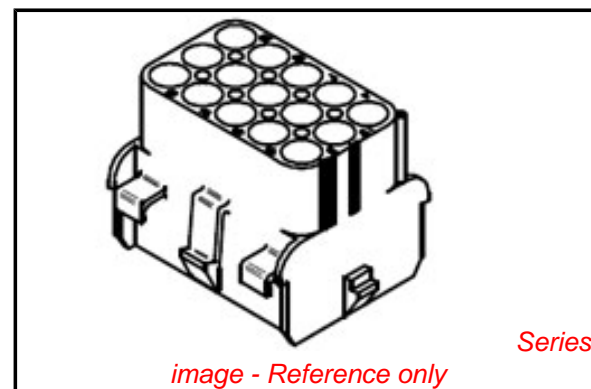
**Physical**

Circuits (maximum)	15
Circuits Detail	15
Color - Resin	Natural
Gender	Female
Glow-Wire Compliant	Yes
Keying to Mating Part	None
Lock to Mating Part	Yes
Material - Resin	Nylon
Number of Rows	5
Packaging Type	Bag
Panel Mount	No
Pitch - Mating Interface (in)	0.250 In
Pitch - Mating Interface (mm)	6.35 mm
Pitch - Term. Interface (in)	0.250 In
Pitch - Term. Interface (mm)	6.35 mm
Polarized to Mating Part	Yes
Stackable	No
Temperature Range - Operating	-55°C to +105°C

**Material Info**

**Reference - Drawing Numbers**

Packaging Specification	PK-42022-**
Product Specification	PS-42022-0001
Sales Drawing	SD-42022-**



**EU RoHS**

**ELV and RoHS  
Compliant**  
**REACH SVHC  
Not Reviewed**  
**Halogen-Free  
Status  
Not Reviewed**

**China RoHS**



**Need more information on product  
environmental compliance?**

Email [productcompliance@molex.com](mailto:productcompliance@molex.com)  
For a multiple part number RoHS Certificate of  
Compliance, [click here](#)

Please visit the [Contact Us](#) section for any  
non-product compliance questions.

**Search Parts in this Series**

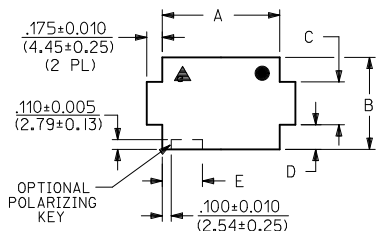
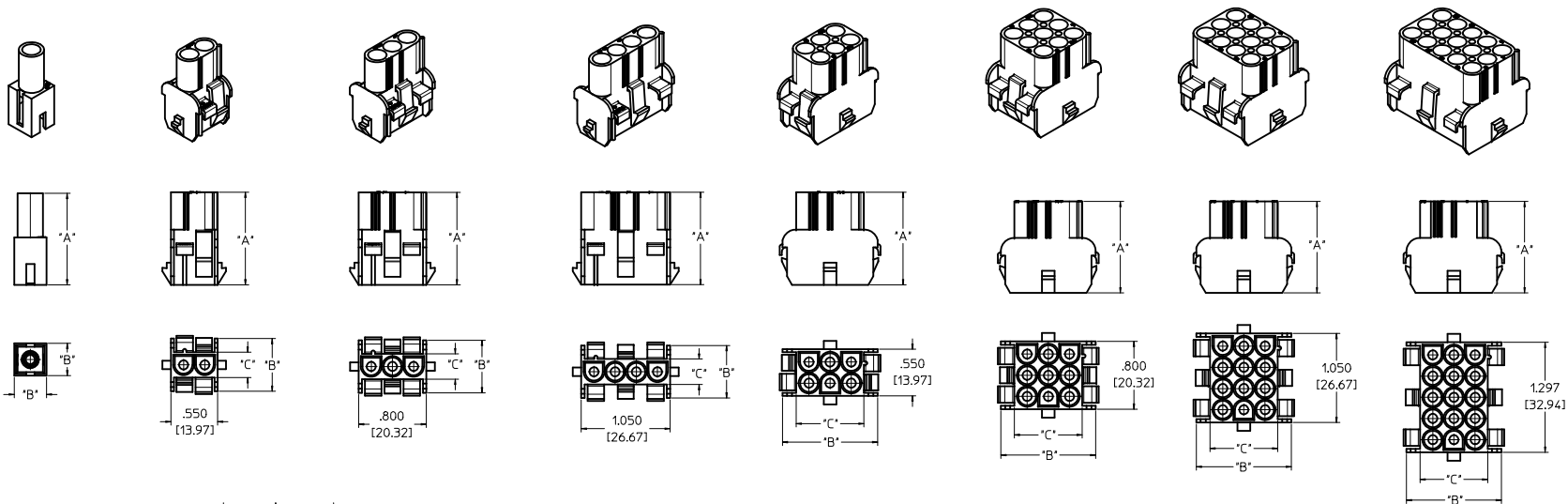
[36644Series](#)

**Mates With**

[42021](#) MLX™ Power Crimp Housing Plug

**Use With**

MLX Crimp Terminal [42023](#) , [42024](#)



**RECOMMENDED PANEL CUTOUT**

PANEL THICKNESS: .030-.090/(0.76-2.29)  
(SEE NOTE 6)

CIRCUIT SIZE	DIMENSIONS				
	A±.005	B±.005	C±.010	D±.010	E±.010
2	.565 (14.35)	.530 (13.46)	.340 (8.64)	.095 (2.41)	.250 (6.35)
3	.815 (20.70)	.530 (13.46)	.340 (8.64)	.095 (2.41)	.250 (6.35)
4	1.065 (27.05)	.530 (13.46)	.340 (8.64)	.095 (2.41)	.250 (6.35)
6	.565 (14.35)	1.030 (26.16)	.480 (12.19)	.275 (6.99)	.250 (6.35)
8	2.065 (52.45)	.530 (13.46)	.340 (8.64)	.095 (2.41)	.250 (6.35)
9	.815 (20.70)	1.030 (26.16)	.480 (12.19)	.275 (6.99)	.250 (6.35)
12	1.065 (27.05)	1.030 (26.16)	.480 (12.19)	.275 (6.99)	.350 (8.89)
15	1.315 (33.40)	1.030 (26.16)	.480 (12.19)	.275 (6.99)	.350 (8.89)

▲ - CIRCUIT #1 LOCATION WHEN USING POLARIZING KEY OPTION WITH 2, 3, 4 AND 8 CIRCUIT HOUSINGS.

● - OPTION WITH 6, 9, 12 AND 15 CIRCUIT HOUSINGS.

**NOTES:**

1) MATERIAL CODES:

- \*A\* = PA6/6, V-2  
COLOUR: NATURAL-TRANSLUCENT
- \*C\* = PA66/6, V-0  
COLOUR: NATURAL-OPAQUE
- \*D\* = PA6, 94V-2  
COLOUR-NATURAL  
FOR GLOW WIRE APPLICATION WITH  
CTI OF 325 VOLTS, AS PER IEC-60335-1 4TH EDITION
- \*E\* = NYLON PA6, 94V-2  
COLOUR- BLACK (ZYTEL 101F)

2) UNLESS OTHERWISE INDICATED, DIMENSIONS ARE FOR REFERENCE ONLY.

3) CAP HOUSINGS MATE WITH :

- PLUG HOUSINGS, .084/(2.13) DIA. SERIES: (42021-\*\*-\*)

4) HOUSINGS DESIGNED TO BE USED WITH TERMINALS:

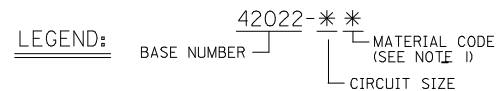
- PINS, .084/(2.13) DIA. SERIES: (42023-\*\*\*\*)
- SOCKETS, .084/(2.13) DIA. SERIES: (42024-\*\*\*\*)

5) CONTACTS ARE ON .250/(6.35) GRID CENTERLINE SPACING.

6) PANEL TO BE PUNCHED SO THAT THE HOUSING ENTERS THE PANEL OPPOSITE THE SIDE WITH THE BURR (I.E. OPPOSITE THE BREAK SIDE).

7) PRODUCT SPECIFICATION PS-42022-0001 APPLIES.

8) LEGEND SCHEME IS NOT APPLICABLE FOR GLOW WIRE COMPATIBLE PART NUMBERS



<b>ENTER DESCRIPTION</b> EC NO: Z005-0548 2006/11/08 CHG APPR: SAO 2006/11/23 APPR: APPR: SAO 2006/12/07	<b>QUALITY SYMBOLS</b> 	<b>GENERAL TOLERANCES (UNLESS SPECIFIED)</b> mm INCH		<b>DIMENSION STYLE</b> <b>MM ONLY</b>		<b>SCALE</b> 2:1	<b>DESIGN UNITS</b> METRIC	<b>THIRD ANGLE PROJECTION</b>	
		4 PLACES ± --- ± --- 3 PLACES ± --- ± --- 2 PLACES ± 0.25 ± --- 1 PLACE ± 0.36 ± ---	INCH ± --- ± --- INCH ± --- ± --- INCH ± --- ± ---	DRAWN BY RK	DATE 8/11/15	<b>TITLE</b> HOUSING CAP .084/(2.13) DIA. SERIES			
		<b>DRAFT WHERE APPLICABLE MUST REMAIN WITHIN DIMENSIONS</b>		CHECKED BY GWJ	DATE 8/11/15	APPROVED BY GWJ	DATE 8/11/15	MATERIAL NO. 9999999999	DOCUMENT NO. SD-42022-**-**

INCORPORATED AND SHOULD NOT BE USED WITHOUT WRITTEN PERMISSION

PART NO.	ENG. NO.	CIRCUIT SIZE	MATERIAL (SEE NOTE 1)	STATUS	DIM. "A"	DIM. "B"	DIM. "C"
050-84-2010	42022-1A	1	A	ACTIVE	1.090 (27.70)	.380 (9.65)	----
050-84-2012	42022-1C	1	C	ACTIVE			
366440001	36644-001	1	D	ACTIVE			
366480021	36648-021	1	E	ACTIVE			
050-84-2020	42022-2A	2	A	ACTIVE	1.090 (27.70)	.620 (15.75)	.300 (7.62)
050-84-2022	42022-2C	2	C	ACTIVE			
366440002	36644-002	2	D	ACTIVE			
366480022	36648-022	2	E	ACTIVE			
050-84-2030	42022-3A	3	A	ACTIVE	1.090 (27.70)	.620 (15.75)	.300 (7.62)
050-84-2032	42022-3C	3	C	ACTIVE			
366440003	36644-003	3	D	ACTIVE			
366480023	36648-023	3	E	ACTIVE			
050-84-2040	42022-4A	4	A	ACTIVE	1.090 (27.70)	.620 (15.75)	.300 (7.62)
050-84-2042	42022-4C	4	C	ACTIVE			
366440004	36644-004	4	D	ACTIVE			
366480024	36648-024	4	E	ACTIVE			
050-84-2060	42022-6A	6	A	ACTIVE	1.090 (27.70)	1.120 (28.45)	.800 (20.32)
050-84-2062	42022-6C	6	C	ACTIVE			
366440005	36644-005	6	D	ACTIVE			
366480025	36648-025	6	E	ACTIVE			
050-84-2090	42022-9A	9	A	ACTIVE	1.090 (27.70)	1.120 (28.45)	.800 (20.32)
050-84-2092	42022-9C	9	C	ACTIVE			
366440006	36644-006	9	D	ACTIVE			
366480026	36648-026	9	E	ACTIVE			
050-84-2120	42022-12A	12	A	ACTIVE	1.090 (27.70)	1.120 (28.45)	.800 (20.32)
050-84-2122	42022-12C	12	C	ACTIVE			
366440007	36644-007	12	D	ACTIVE			
366480027	36648-027	12	E	ACTIVE			
050-84-2150	42022-15A	15	A	ACTIVE	1.090 (27.70)	1.120 (28.45)	.800 (20.32)
050-84-2152	42022-15C	15	C	ACTIVE			
366440008	36644-008	15	D	ACTIVE			
366480028	36648-028	15	E	ACTIVE			

<b>ENTER DESCRIPTION</b> EC NO: 2005-0545 2006/11/08 CHN: CHN: 2006/11/23 APPR: CHN: 2006/12/07	<b>QUALITY SYMBOLS</b> 60 30	<b>GENERAL TOLERANCES (UNLESS SPECIFIED)</b> <table border="1"> <tr> <th></th> <th>mm</th> <th>INCH</th> </tr> <tr> <td>4 PLACES</td> <td>± .005</td> <td>± .0005</td> </tr> <tr> <td>3 PLACES</td> <td>± .003</td> <td>± .0003</td> </tr> <tr> <td>2 PLACES</td> <td>± 0.25</td> <td>± .010</td> </tr> <tr> <td>1 PLACE</td> <td>± 0.36</td> <td>± .014</td> </tr> <tr> <td>ANGULAR</td> <td>± .005</td> <td>± .0005</td> </tr> </table>		mm	INCH	4 PLACES	± .005	± .0005	3 PLACES	± .003	± .0003	2 PLACES	± 0.25	± .010	1 PLACE	± 0.36	± .014	ANGULAR	± .005	± .0005	<b>DIMENSION STYLE</b> <b>MM ONLY</b>	<b>SCALE</b> DESIGN UNITS <b>METRIC</b>	<input checked="" type="checkbox"/> THIRD ANGLE PROJECTION
		mm	INCH																				
	4 PLACES	± .005	± .0005																				
	3 PLACES	± .003	± .0003																				
2 PLACES	± 0.25	± .010																					
1 PLACE	± 0.36	± .014																					
ANGULAR	± .005	± .0005																					
<b>DESCRIPTION</b> D2	<b>DRAWN BY</b> RK	<b>DATE</b> 87/11/15	<b>TITLE</b> HOUSING CAP .084/(2.13) DIA. SERIES	<b>APPROVED BY</b> GWF	<b>DATE</b> 87/11/15																		
<b>DRAFT WHERE APPLICABLE MUST REMAIN WITHIN DIMENSIONS</b>	<b>SEE CHART</b>	<b>INCORPORATED AND SHOULD NOT BE USED WITHOUT WRITTEN PERMISSION</b>	<b>MOLEX INCORPORATED</b>	<b>DOCUMENT NO.</b> SD-42022-***	<b>SHEET NO.</b> 2 OF 2																		
THIS DRAWING CONTAINS INFORMATION THAT IS PROPRIETARY TO MOLEX																							