



FEATURES:

- No heatsink required
- 3 Pin SIP package
- Non-isolated
- Low ripple and noise
- RoHS compliant
- Operating temperature -40°C to +85°C
- Very high efficiency up to 96%
- Pin compatible to multiple manufacturers
- Regulated outputs



Models
Single output

| Model | Input Voltage (V) | Output Voltage (V) | Output Current max (mA) | Efficiency Vin Max (%) | Efficiency Vin Min (%) |
|----------------|-------------------|--------------------|-------------------------|------------------------|------------------------|
| AMSRB-783.3-NZ | 4.5 ~ 30 | 3.3 | 500 | 77 | 90 |
| AMSRB-7805-NZ | 6.5 ~ 30 | 5 | 500 | 81 | 94 |
| AMSRB-786.5-NZ | 8 ~ 30 | 6.5 | 500 | 85 | 95 |
| AMSRB-7809-NZ | 11 ~ 30 | 9 | 500 | 89 | 95 |
| AMSRB-7812-NZ | 15 ~ 30 | 12 | 500 | 92 | 96 |
| AMSRB-7815-NZ | 18 ~ 30 | 15 | 500 | 93 | 96 |

NOTE: All specifications in this datasheet are measured at an ambient temperature of 25°C, humidity<75%, nominal input voltage and at rated output load unless otherwise specified.

Input Specifications

| Parameters | Conditions | Typical | Maximum | Units |
|---------------------------|------------------------|---------|---------|-------|
| Voltage range | See the table above | | | VDC |
| Filter | Capacitor | | | |
| Quiescent current | Vin=(LL-HL) at 0% load | | 13 | mA |
| Short circuit consumption | | 1.8 | | W |

Output Specifications

| Parameters | Conditions | Typical | Maximum | Units |
|--------------------------|--------------------------|---------|---------|--------|
| Voltage accuracy | 100% load | ±3 | | % |
| Short circuit protection | Continuous | | | |
| Short circuit restart | Auto recovery | | | |
| Output current limit | | | 2 | A |
| Thermal shutdown | Internal IC junction | 160 | | °C |
| Line voltage regulation | Vin=(LL-HL) at full load | ±1 | | % |
| Load voltage regulation | 10-100% load | ±0.75 | | % |
| Temperature coefficient | -40°C to +85°C ambient | ±0.02 | | %/°C |
| Ripple & Noise | 20MHz Bandwidth | 35 | | mV p-p |
| Max capacitive load | | | 1000 | uF |

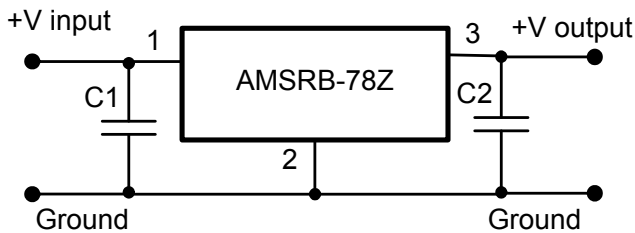
General Specifications

| Parameters | Conditions | Typical | Maximum | Units |
|--------------------------|--|--|-------------------------|-------|
| Switching frequency | 100% load | 330 | | KHz |
| Operating temperature | With derating above 71 °C | | -40 to +85 | °C |
| Storage temperature | | | -55 to +125 | °C |
| Maximum case temperature | | | 100 | °C |
| Cooling | Free air convection | | | |
| Humidity | | | 95 | % |
| Case material | Non-conductive black plastic (UL94V-0 rated) | | | |
| Weight | | 2 | | g |
| Dimensions (L x W x H) | | 0.45 x 0.30 x 0.40 inches | 11.50 x 7.55 x 10.20 mm | |
| MTBF | | > 2 000 000 hrs (MIL-HDBK-217F, Ground Benign, t=+25 °C) | | |
| Soldering temperature | 1.5 mm from case for 10 sec | | 300 | °C |

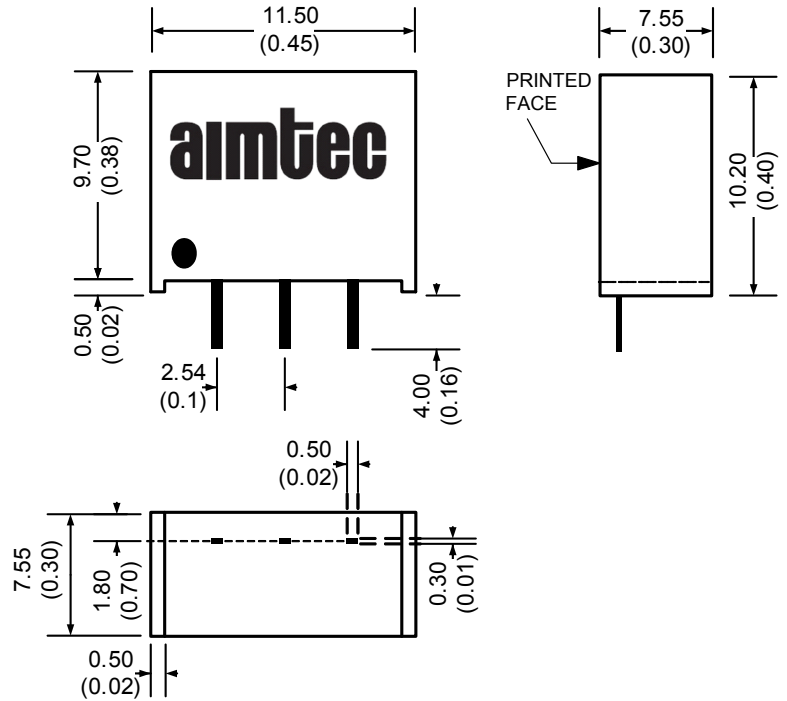
Pin Out Specifications

| Pin | Positive Output | Negative Output |
|-----|-----------------|-----------------|
| 1 | +V Input | +V Input |
| 2 | Ground | -V Output |
| 3 | +V Output | Ground |

Standard Application Circuit



Dimensions

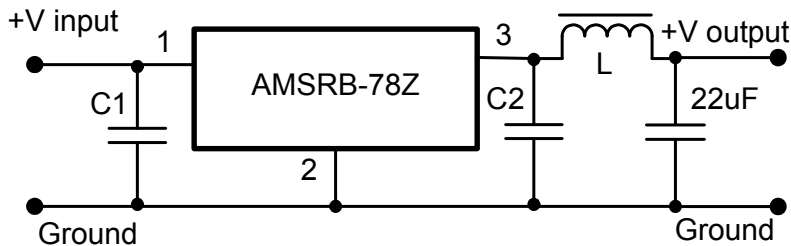


Dimensions are in mm (inch)
Pin Tolerance: ± 0.16 mm(0.004 inch)
Case Tolerance: ± 0.25 mm(0.01 inch)

External Capacitor values

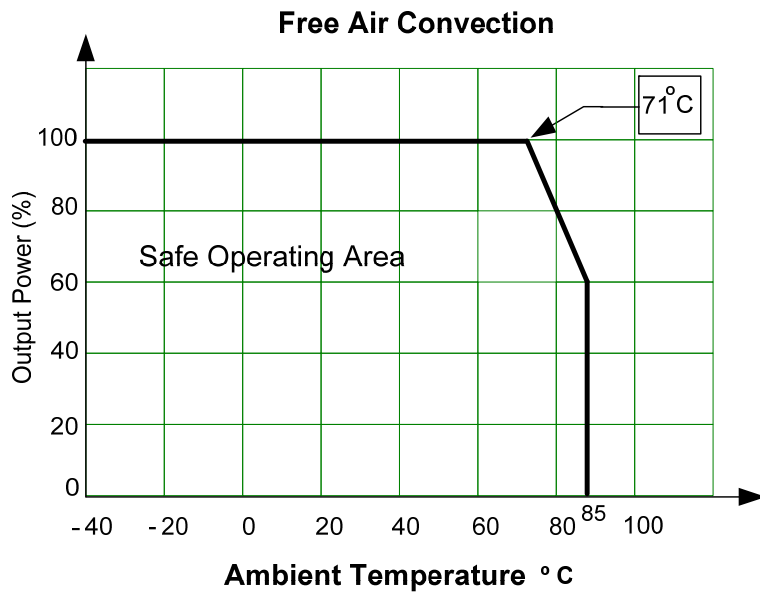
| Model Number | C1 (ceramic capacitor) | C2 (ceramic capacitor) |
|----------------|---------------------------|---------------------------|
| AMSRB-783.3-NZ | 10uF/50V | 22uF/16V |
| AMSRB-7805-NZ | 10uF/50V | 22uF/16V |
| AMSRB-786.5-NZ | 10uF/50V | 10uF/16V |
| AMSRB-7809-NZ | 10uF/50V | 10uF/16V |
| AMSRB-7812-NZ | 10uF/50V | 10uF/25V |
| AMSRB-7815-NZ | 10uF/50V | 10uF/25V |

Ripple and Noise Reduction

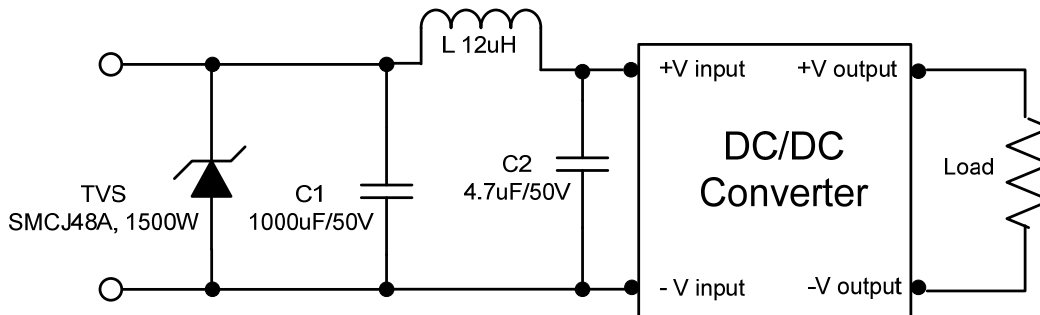


Recommended value of inductor L is between 10uH to 47uH

Derating



Recommended Circuits Conducted and Radiated Emissions



NOTE: 1. Datasheets are updated as needed and as such, specifications are subject to change without notice. Once printed or downloaded, datasheets are no longer controlled by Aimtec; refer to www.aimtec.com for the most current product specifications. 2. Product labels shown, including safety agency certifications on labels, may vary based on the date manufactured. 3. Mechanical drawings and specifications are for reference only. 4. All specifications are measured at an ambient temperature of 25°C, humidity<75%, nominal input voltage and at rated output load unless otherwise specified. 5. Aimtec may not have conducted destructive testing or chemical analysis on all internal components and chemicals at the time of publishing this document. CAS numbers and other limited information are considered proprietary and may not be available for release. 6. This product is not designed for use in critical life support systems, equipment used in hazardous environments, nuclear control systems or other such applications which necessitate specific safety and regulatory standards other the ones listed in this datasheet. 7. Warranty is in accordance with Aimtec's standard Terms of Sale available at www.aimtec.com.