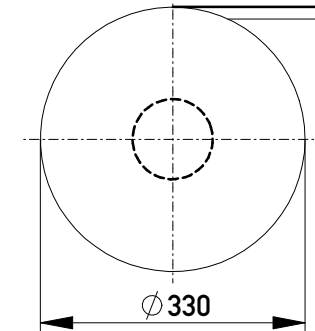
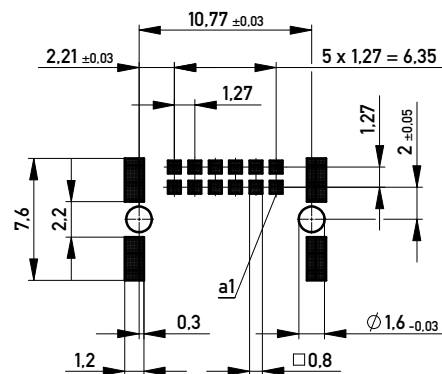


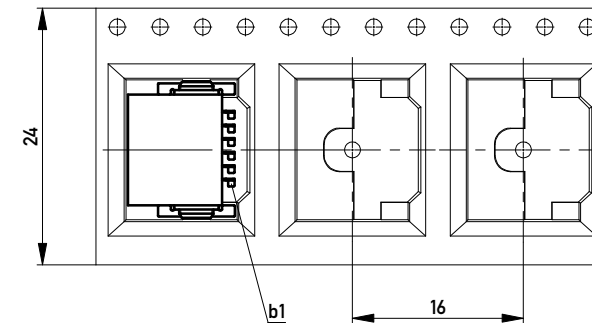
Verpackt in Gurtverpackung
 Tape on Reel Packaging
 Verpackungseinheit: 560 Stück
 Packaging unit: 560 pcs



Leiterplatten-Layout Vorschlag für SMT
PCB-Layout Proposal for SMT



Abspulrichtung - Reel off Direction



BA7-03 - Standard Bauhöhe
 type7-03 - Standard Assembly Height

Information:		Tolerances	Scale 3:1
All rights reserved. Only for Information. To ensure that this is the latest version of this drawing, please contact one of the ERNI companies before using.		All Dimensions in mm	Designation Messl. SMC-B 12-SMD-BA7-03 <i>Male SMC-B 12-SMD-type7-03</i>
d	18.10.2011	101800100001	
Index	Date	Class SMCB	

Copyright by ERNI GmbH
 Proprietary notice pursuant to ISO 16018 to be observed.