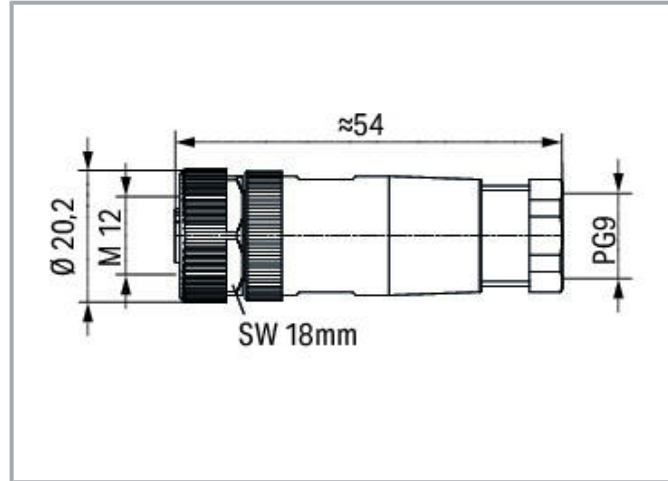


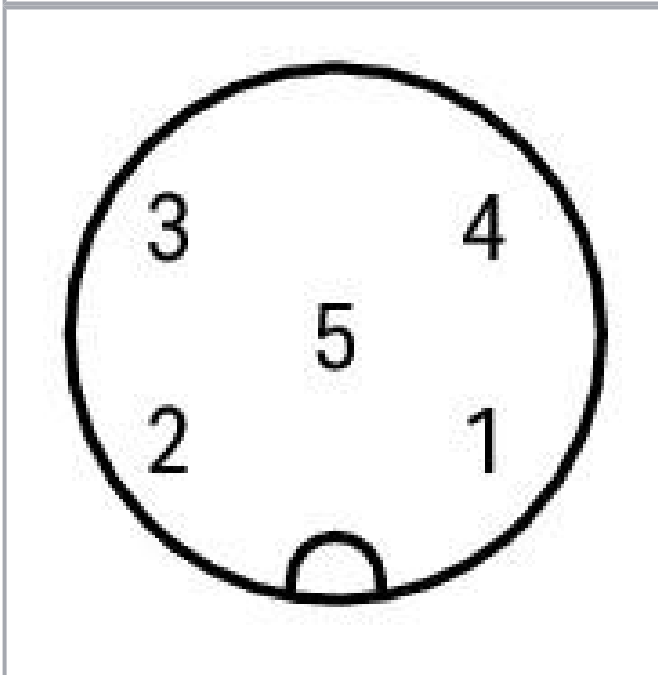
Data sheet | Item number: 756-9213/050-000

Fitted pluggable connector; 5-pole; M12 socket, straight; Spring

www.wago.com/756-9213/050-000



 Picture differs from the item.



Conductor size
Ø 6 ... 8 mm / 0.14 - 0.5 mm²

Subject to changes. Please also observe the further product documentation!

WAGO GmbH & Co. KG
Hansastr. 27
32423 Minden
Phone: +49571 887-0 | Fax: +49571 887-169
Email: info.de@wago.com | Web: www.wago.com

Do you have any questions about our products?
We are always happy to take your call at +49 (571) 887-44222.



Data

Technical data

Connection type	M12 socket
Pole No.	5
Cable connection direction to mating direction	0°
Connector interface coding (cable/adaptor) 1 1	A-coded

Connection data

Connection type (1)	Spring clamp technology
Solid conductor	0.14 ... 0.5 mm ²

Mechanical data

Connectable sheathed cable diameter	6 ... 8 mm
Weight	25 g

Environmental requirements

Surrounding air temperature (operation)	-25 ... 85 °C
Protection type	IP67

Commercial data

PU (SPU)	5 (1) Stück
Packaging type	box
Country of origin	DE
GTIN	4050821114307
Customs tariff number	85366990990

Downloads

CAD/CAE-Data

CAE data

WSCAD Universe 756-9213/050-000	URL	Download
WSCAD Universe 756-9213/050-000	URL	Download

Subject to changes. Please also observe the further product documentation!



Environmental Product Compliance

Compliance Search

Environmental Product Compliance 756-9213/050-000
Fitted pluggable connector; 5-pole; M12 socket, straight; Spring

URL

Download

Installation Notes

Subject to changes. Please also observe the further product documentation!

WAGO GmbH & Co. KG
Hansastr. 27
32423 Minden
Phone: +49571 887-0 | Fax: +49571 887-169
Email: info.de@wago.com | Web: www.wago.com

Do you have any questions about our products?
We are always happy to take your call at +49 (571) 887-44222.