

THIS DRAWING IS UNPUBLISHED.

RELEASED FOR PUBLICATION

2000

© COPYRIGHT 2000

ALL RIGHTS RESERVED.

LOC
A1

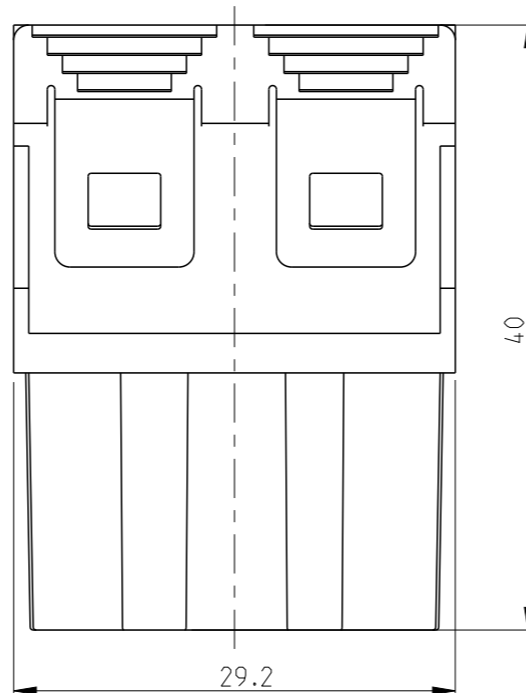
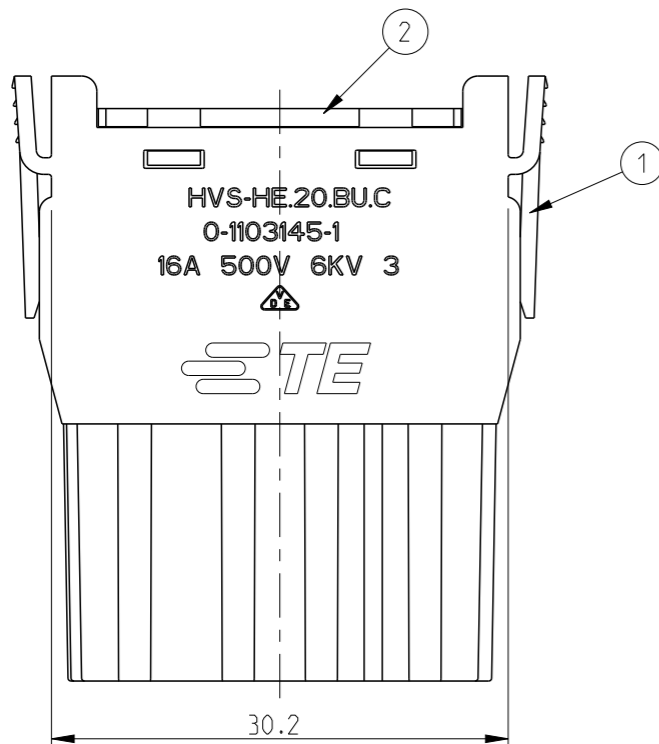
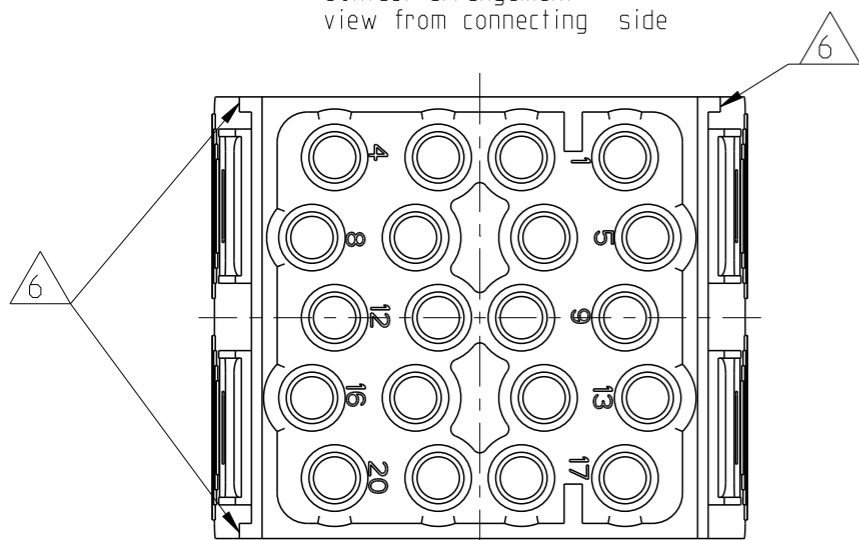
DIST
-

REVISIONS

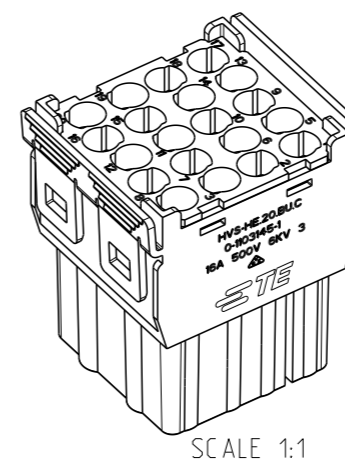
P	LTR	DESCRIPTION	DATE	DWN	APVD
A5		RELEASED ASPER ECR-09-010234	6-May-09	CJ	TS
B1		ECR-10-015645	27JUL2010	SR	OH
C		ECR-15-007597	05JUN2015	GSK	JB

PN 0-1 As Shown

Contact arrangement
view from connecting side



PN 0-1 As Shown

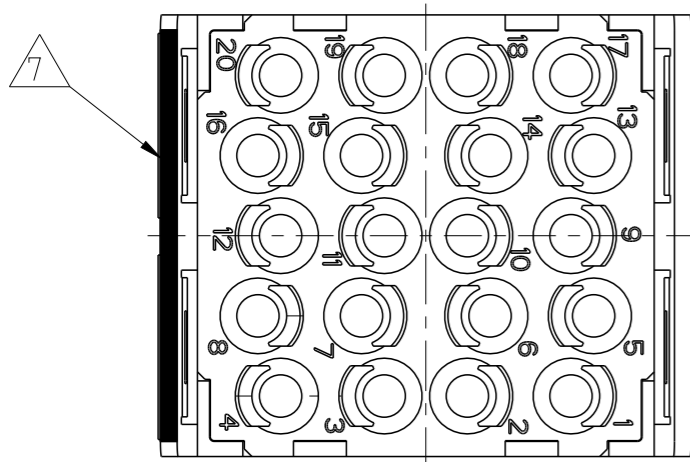


SCALE 1:1

NOTES

- 1 SUITABLE CRIMP CONTACTS: SERIES HE/HA
CUSTOMER DRAWING: 1105101
OUTER DIMENSIONS OF INSULATION: MAX. Ø4.9mm
- 2 SUITABLE MODULE FIXING FRAME: SERIES HVS SIZE 3 TO 8
CUSTOMER DRAWING: 1103250
- 3 SUITABLE INSERTION TOOL:
CUSTOMER DRAWING: 0-1102855-6
- 4 SUITABLE EXTRACTION TOOL:
CUSTOMER DRAWING: 0-1102855-7
- 5 STANDARDS:
DIN EN 61984; DIN EN 60664-1
- 6 POLARIZATION RIPS
- 7 MARKING OF POLARIZATION ACCORDING TO MARKING OF
MODULE FRAME
- 8 PACKAGING:
10 SETS IN A CARTON, PRE-MOUNTED

Contact arrangement
view from termination side



QTY	DESCRIPTION	MATERIAL	COLOR	ITEM
1	FEMALE INSERT	PBT-GF10	LIGHT GREY	2
1	COVER	PBT-GF15	LIGHT GREY	1
HVS-HE.20.Bu.C				

THIS DRAWING IS A CONTROLLED DOCUMENT.		DWN M.SCHWEIGER 31.08.2008	TE Connectivity	
DIMENSIONS: mm		CHK T.SCHNURPFEIL 01.09.2008		
TOLERANCES UNLESS OTHERWISE SPECIFIED: ISO 8075 DIN ISO 2768 mH-E DIN 15901-120		APVD -	NAME FEMALE INSERT HVS-HE.20.BU.C	
 0 PLC 1 PLC 2 PLC 3 PLC 4 PLC ANGLES ±1°		PRODUCT SPEC 108-74073	SIZE A3	
MATERIAL 9		APPLICATION SPEC 114-74073	CAGE CODE 00779	DRAWING NO C-1103145
FINISH 10		WEIGHT -	RESTRICTED TO -	
CUSTOMER DRAWING			SCALE 2:1	SHEET 1 OF 1