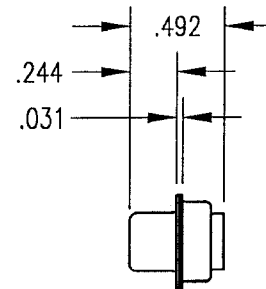
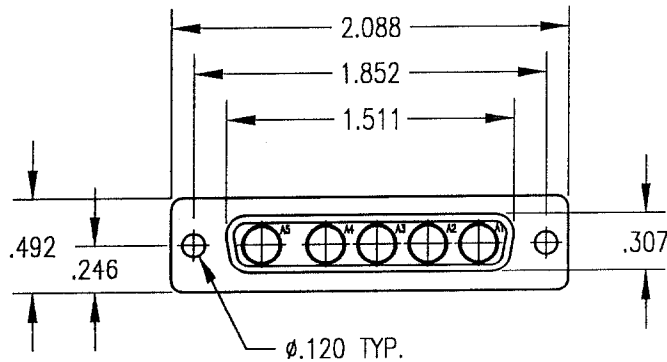
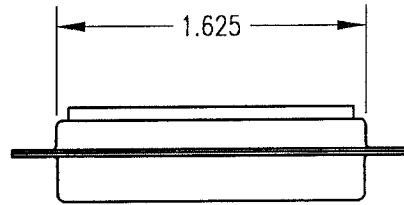


DWG. NO.		RM5W5S-00-ZB	
REV	DESCRIPTION	BY DATE	APPD
A	RELEASE PER NPR 1787	00/4/00	[Signature]



NOTES:

- MATERIALS:
SHELL: STEEL PER ASTM A568
INSULATOR: GLASS FILLED POLYESTER
- FINISH:
SHELL: YELLOW CHROMATE OVER ZINC PER ASTM B633
INSULATOR: GREEN
- CONTACT ARRANGEMENT:
(5) COAX OR POWER CONTACTS (NOT SUPPLIED)

PER ASME Y14.5M-1994 UNLESS OTHERWISE SPECIFIED: DIMENSIONS ARE IN INCHES (MM)		Litton	
TOLERANCES: DECIMALS .XX ± .01/0.254 XXX ± .005/0.127 ANGLES ± 2°		400 Park Road Winsted, Connecticut 06725	
SCALE: 1:1		TITLE	
CUSTOMER DRAWING		5W5S D-SUB CONNECTOR	
DRAWN JED	DATE 4/5/00	CHECKED JH	DATE 4/5/00
APPROVED KJT	DATE 4/5/00	APPROVED SP	DATE 4/5/00
A		RM5W5S-00-ZB	SHT. OF REV. 1 1 A