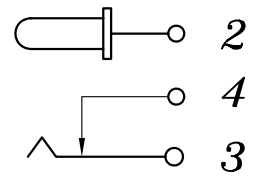
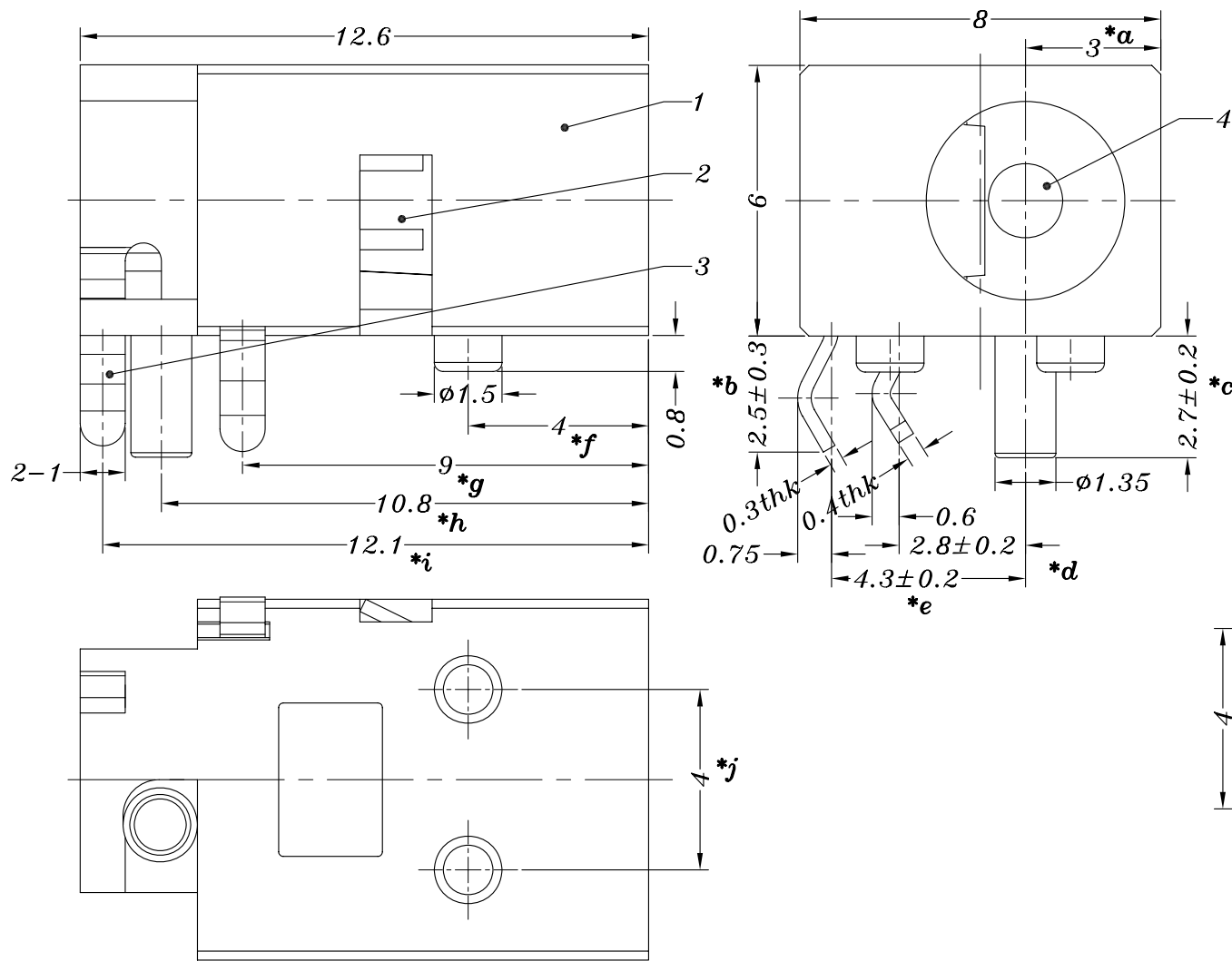
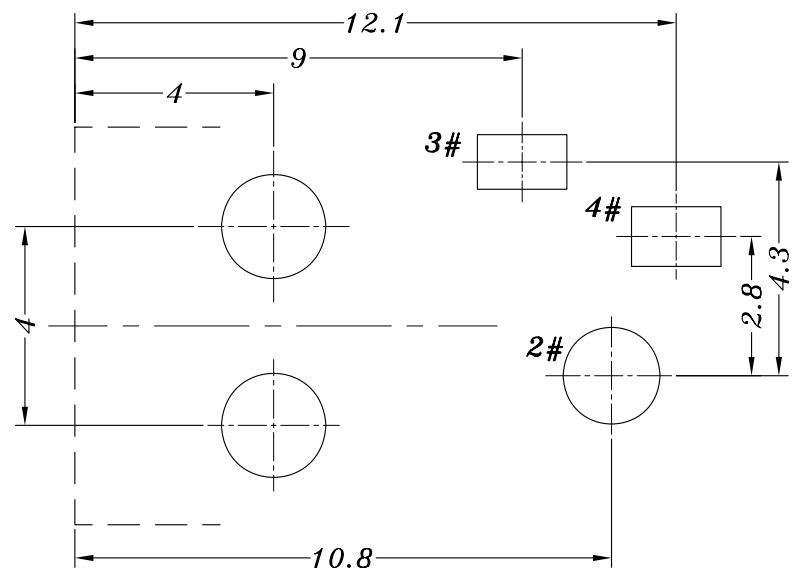


HAOYU



SCHEMATIC



P.C.B LAYOUT

					TOLERANCE UNLESS SPECIFIED							
					UP TO 5mm: ±0.1	ANGULAR	1	2013.8.26	初版			
					ABOVE 5mm: ±0.2	±1°	NO	DATE	REVISIONS		BY	APPD
4	PING	BRASS	1	Ni PLATED	TITLE:DC JACK			UNIT : MM	ROHS COMPLIANT	DWN		
3	4#CURVE PIECE	BRASS	1	Ag PLATED	MODEL:DC-023 1.65			SCALE: 6:1	CHK'D			
2	3#SPRING	PBS	1	Ag PLATED	<b>HAOYU(HONGKONG)LIMITED</b> 皓宇(香港)有限公司			APPD				
1	CASE	PBT	1	BLACK				PRO.AGL:		REV : A		
NO.	PART NAME	MATERIAL	QTY	FINISHING								