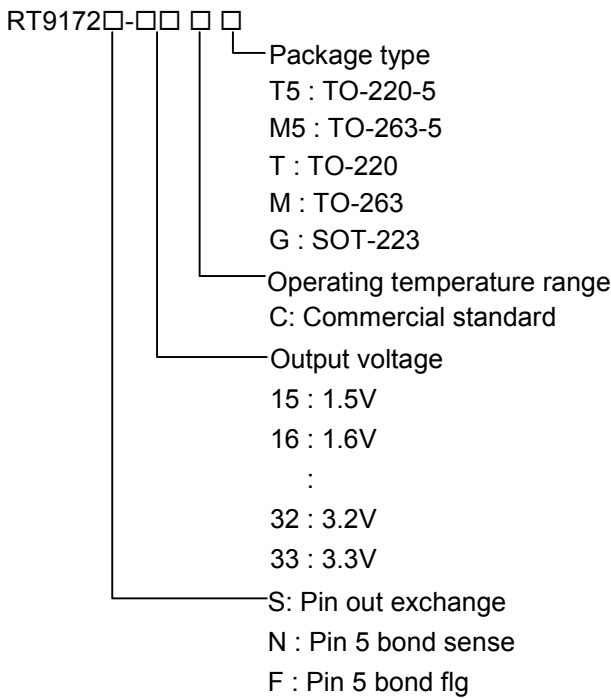


# 3A Fixed Output Voltage LDO Regulator

## General Description

The RT9172 series of low-dropout linear regulators operate from a +2.25V to +6.0V input supply. A wide range of preset output voltage options is available. These low dropout linear regulators respond very fast to step changes in load, which are suitable for low voltage microprocessor applications. The RT9172 uses an internal PMOS as the pass device, which does not cause extra GND current in heavy load and dropout condition. The shutdown mode of low operation current makes the IC suitable for power-saving systems. The other features include current limiting and over temperature protection.

## Ordering Information



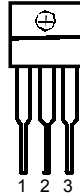
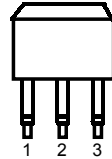
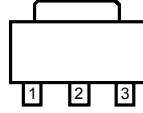
## Features

- Low Dropout Voltage
- Low Ground Pin Current
- Load Regulation of 0.4% at 3A
- 0.5μA Quiescent Current in Shutdown Mode
- Guaranteed Output Current of 3A DC
- Available in TO-263 and TO-220 Packages
- Output Voltage Accuracy ±1.5%
- Error Flag Indicates Output Status
- Sense Option Improves Better Load Regulation
- Extremely Low Output Capacitor Requirements
- Over-temperature/Over-current Protection

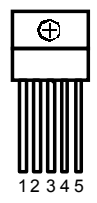
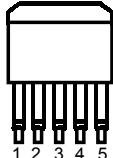
## Applications

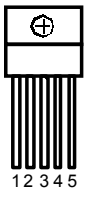
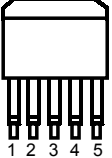
- Microprocessor Power Supplies
- GTL, GTL+, BTL, and SSTL Bus Terminators
- Power Supplies for DSPs
- SCSI Terminator
- Post Regulators
- High Efficiency Linear Regulators
- Battery Chargers
- Other Battery Powered Applications

## Pin Configurations

| Part Number                      | Pin Configurations   |
|----------------------------------|--|
| RT9172-□□CT<br>(Plastic TO-220)  |  <p>TOP VIEW</p> <p>1. VIN<br/>2. GND (TAB)<br/>3. VOUT</p> |
| RT9172-□□CM<br>(Plastic TO-263)  |  <p>TOP VIEW</p> <p>1. VIN<br/>2. GND (TAB)<br/>3. VOUT</p> |
| RT9172-□□CG<br>(Plastic SOT-223) |  <p>TOP VIEW</p> <p>1. VIN<br/>2. GND (TAB)<br/>3. VOUT</p> |

*To be continued*

| Part Number  | Pin Configurations   |
|--|--|
| RT9172N-□□CT5<br>RT9172F-□□CT5<br>(Plastic TO-220-5) |  <p>TOP VIEW</p> <ol style="list-style-type: none"> <li>1. EN</li> <li>2. VIN</li> <li>3. GND (TAB)</li> <li>4. VOUT</li> <li>5. SENSE/FLG</li> </ol> |
| RT9172N-□□CM5<br>RT9172F-□□CM5<br>(Plastic TO-263-5) |  <p>TOP VIEW</p> <ol style="list-style-type: none"> <li>1. EN</li> <li>2. VIN</li> <li>3. GND (TAB)</li> <li>4. VOUT</li> <li>5. SENSE/FLG</li> </ol> |

| Part Number                         | Pin Configurations   |
|-------------------------------------|--|
| RT9172S-□□CT5<br>(Plastic TO-220-5) |  <p>TOP VIEW</p> <ol style="list-style-type: none"> <li>1. VIN</li> <li>2. EN</li> <li>3. GND (TAB)</li> <li>4. SENSE</li> <li>5. VOUT</li> </ol> |
| RT9172S-□□CM5<br>(Plastic TO-263-5) |  <p>TOP VIEW</p> <ol style="list-style-type: none"> <li>1. VIN</li> <li>2. EN</li> <li>3. GND (TAB)</li> <li>4. SENSE</li> <li>5. VOUT</li> </ol> |

**Typical Application Circuit**

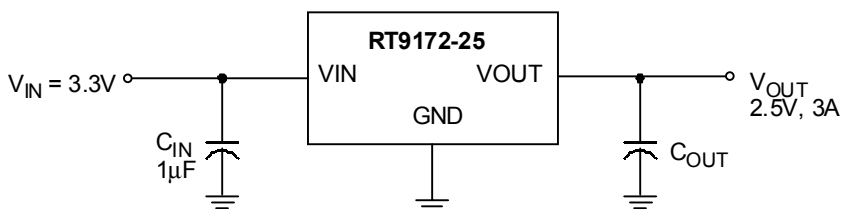


Fig. 1

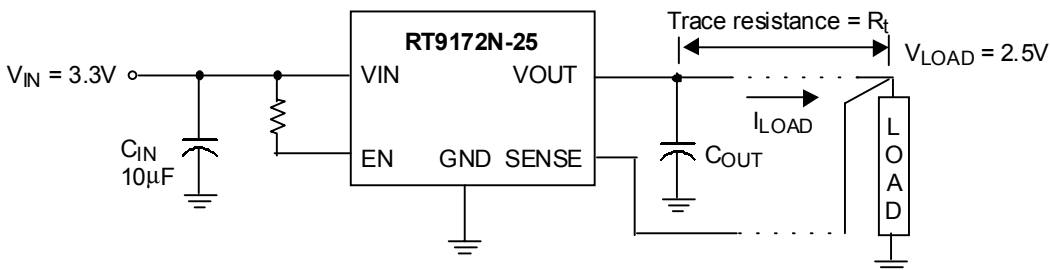


Fig. 2

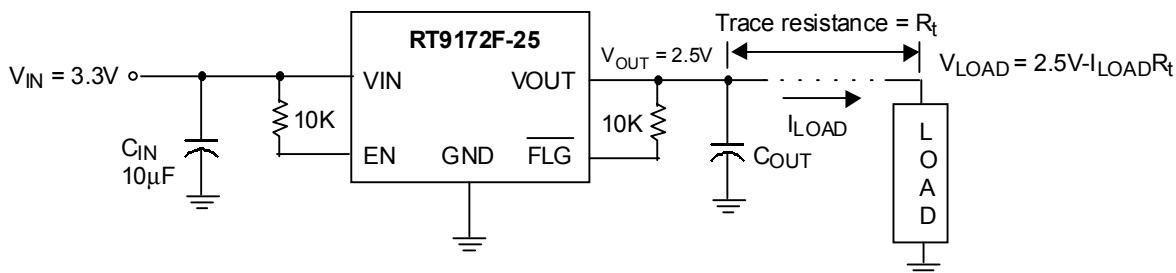
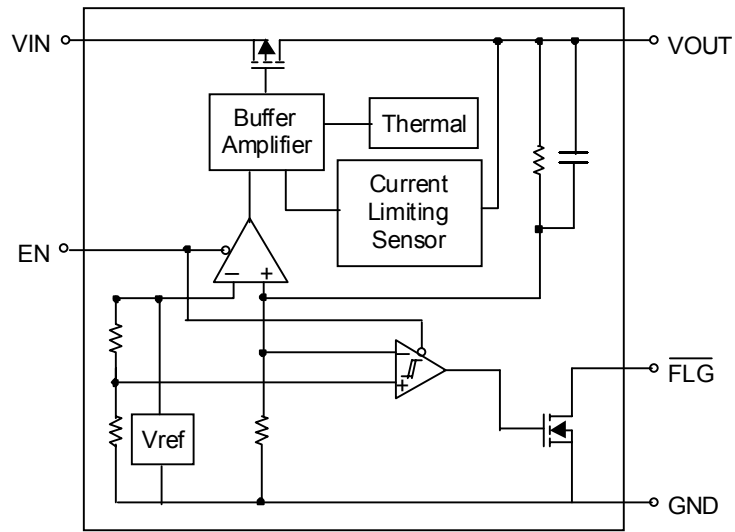


Fig. 3

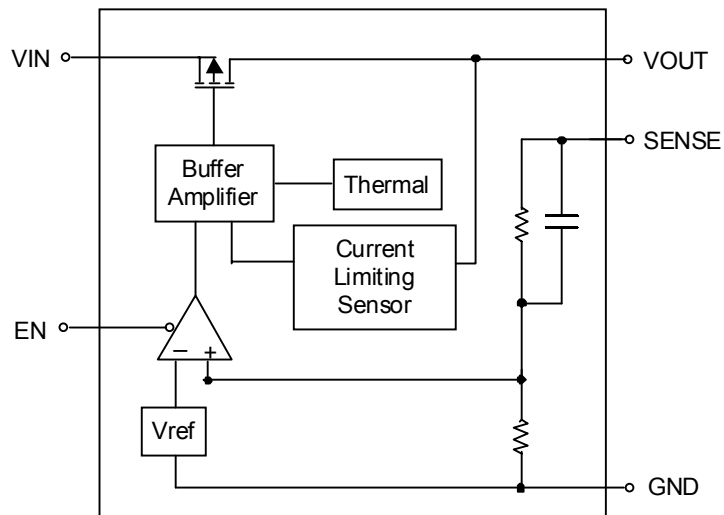
Recommend  $C_{OUT}$ : (1) 10µF (or larger) electrolytic or tantalum capacitance  
 (2) 1µF or 10µF ceromic capacitor parrell with 100µF electrolytic or tantalum capacitance

**Function Block Diagram**

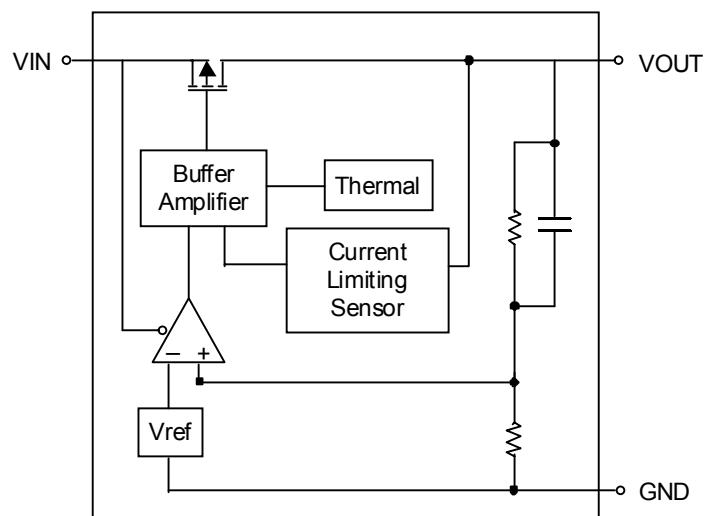
RT9172F



RT9172N/RT9172S



RT9172



**Absolute Maximum Ratings**

- Input Voltage ..... 6V
- Power Dissipation ..... Internally Limited
- ESD Rating ..... 3 kV
- Storage Temperature Range ..... -65°C to 150°C
- Lead Temperature (Soldering, 5 sec.) ..... 260°C
- Package Thermal Resistance
  - TO-263,  $\theta_{JC}$  ..... 8°C/W
  - TO-263,  $\theta_{JA}$  ..... 19.4°C/W
  - TO-220,  $\theta_{JC}$  ..... 8°C/W
  - TO-220,  $\theta_{JA}$  ..... 62°C/W
  - SOT-223,  $\theta_{JC}$  ..... 15°C/W
  - SOT-223,  $\theta_{JA}$  ..... 60°C/W
- Junction Temperature Range ..... -40°C to +125°C

**Electrical Characteristics**

(Limits in standard typeface are for  $T_A = 25^\circ\text{C}$ , unless otherwise specified:  $V_{IN} = V_{O(NOM)} + 1.0\text{V}$ ,  $I_L = 10\text{mA}$ ,  $C_{OUT} = 10\mu\text{F}$  (Ceramic),  $V_{EN} = V_{IN}$ )

| Parameter                          | Symbol            | Test Conditions                                | Min  | Typ      | Max  | Units            |
|------------------------------------|-------------------|--|------|----------|------|------------------|
| Output Voltage Tolerance           |                   |  | -1.5 | 0        | +1.5 | %                |
| Input Voltage Range                | $V_{IN}$          |  | 2.25 | --       | 6    | V                |
| Line Regulation                    | $\Delta V_{LINE}$ | $V_{OUT} + 0.4\text{V} < V_{IN} < 6.0\text{V}$ | --   | 0.35     | 0.8  | %                |
| Load Regulation                    | $\Delta V_{LOAD}$ | Note 1   | --   | 0.4      | 1    | %                |
|                                    |                   | Note 2   | --   | 0.1      | 0.3  |                  |
| Dropout Voltage                    | $V_{DROP}$        | $I_L = 300\text{mA}$                           | --   | 50       | 70   | mV               |
|                                    |                   | $I_L = 3\text{A}$                              | --   | 400      | 700  |                  |
| Quiescent Current                  | $I_Q$             |  | --   | 1.2      | 3    | mA               |
| Shutdown Supply Current            | $I_{GSD}$         | $V_{EN} = 0\text{V}$                           | --   | 0.5      | 5    | $\mu\text{A}$    |
| Peak Output Current                | $I_{O(PEAK)}$     |  | 3.5  | 5        | --   | A                |
| <b>Short Circuit Protection</b>    |                   |  |      |          |      |                  |
| Current Limit                      | $I_{LIMIT}$       |  | 3.5  | 5        | --   | A                |
| <b>Over Temperature Protection</b> |                   |  |      |          |      |                  |
| Shutdown Threshold                 | $T_{SD}$          | Guaranteed by design                           | --   | 170      | --   | $^\circ\text{C}$ |
| Thermal Shutdown Hysteresis        |                   | Guaranteed by design                           | --   | 10       | --   | $^\circ\text{C}$ |
| <b>Shutdown Function</b>           |                   |  |      |          |      |                  |
| EN Pin Shutdown Threshold          | $V_{EN}$          | Output = High                                  | 1.2  | $V_{IN}$ | --   | V                |
|                                    |                   | Output = Low                                   | --   | 0        | 0.4  |                  |
| EN Input Current                   |                   | $V_{EN} = V_{IN}$                              | --   | 0.1      | --   | nA               |
| FLG Pin Leakage Current            | $I_{LEAKAGE}$     |  | --   | 1        | --   | nA               |
| FLG Pin Sink Current               |                   | $V_{FLG} = 0.5\text{V}$                        | 2    | --       | --   | mA               |

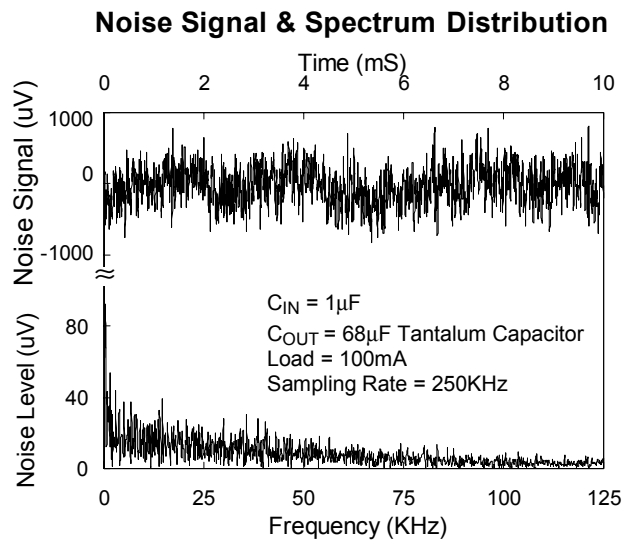
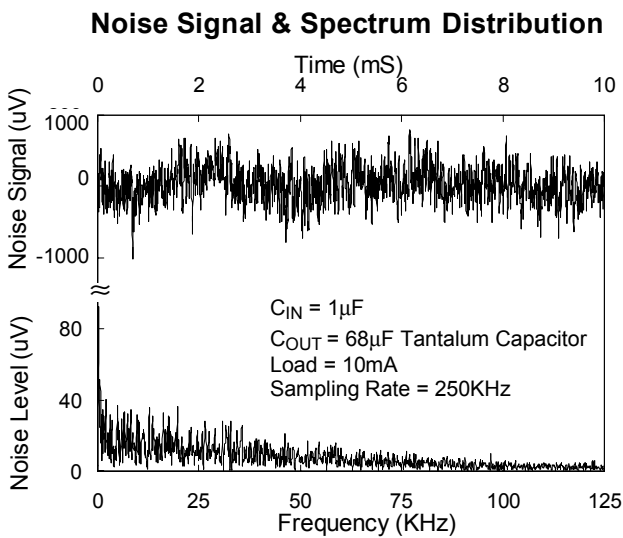
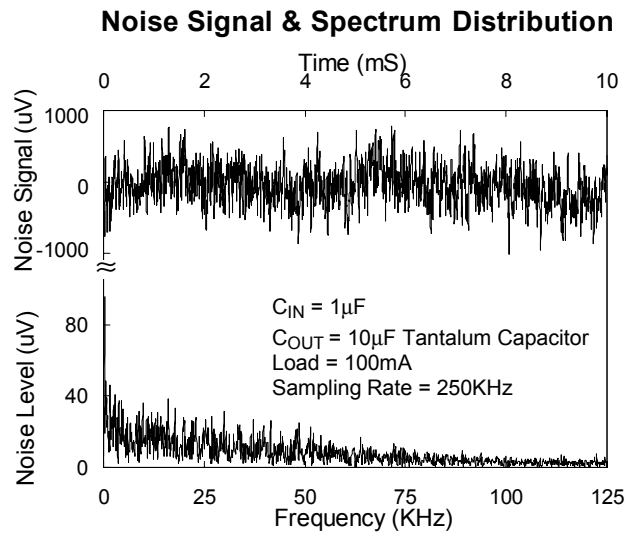
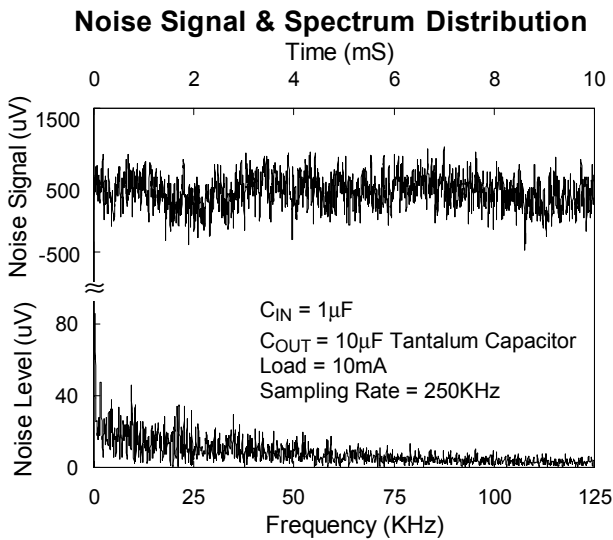
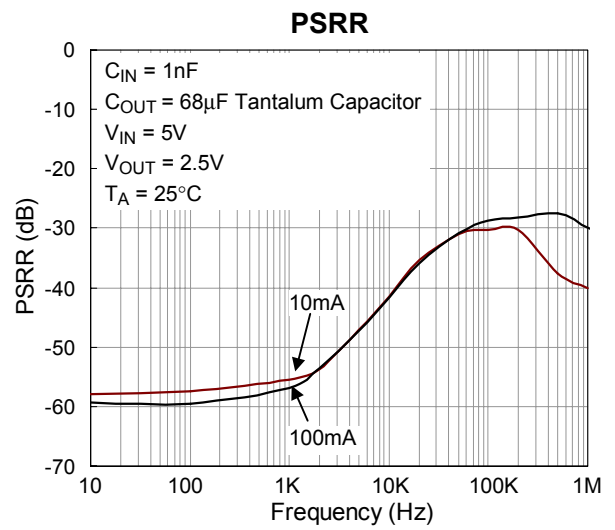
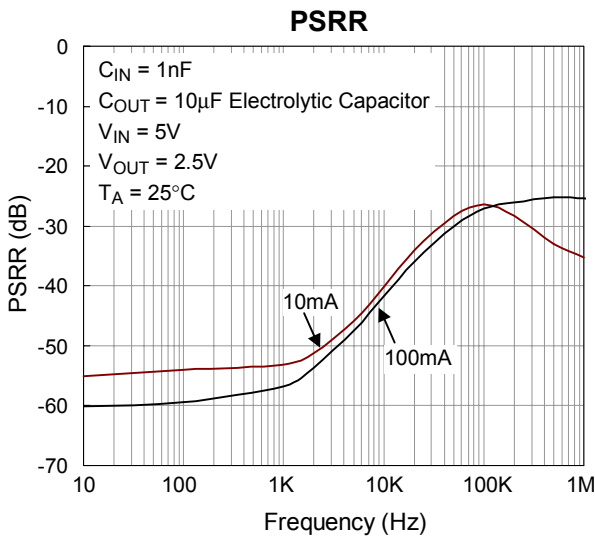
Note 1: RT9172-CX, RT9172F-XXCX5,  $10\text{mA} < I_L < 3\text{A}$

Note 2: RT9172S-XXCX5, RT9172N-XXCX5,  $10\text{mA} < I_L < 3\text{A}$

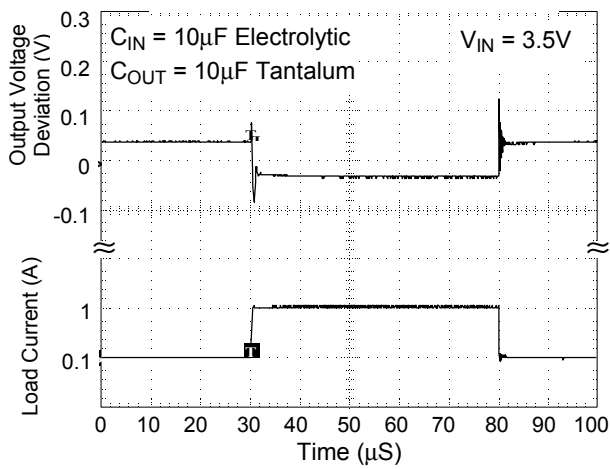
**Pin Description**

| Pin No. |         |         |        | Pin Name                | Pin Function   |
|---------|---------|---------|--------|-------------------------|----------------|
| RT9172F | RT9172N | RT9172S | RT9172 |                         |                |
| 1       | 1       | 2       | --     | EN                      | Chip Enable    |
| 2       | 2       | 1       | 1      | VIN                     | Power Input    |
| 3       | 3       | 3       | 2      | GND                     | Ground         |
| 4       | 4       | 5       | 3      | VOUT                    | Output Voltage |
| 5       | --      | --      | --     | $\overline{\text{FLG}}$ | ERROR Flag     |
| --      | 5       | 4       | --     | SENSE                   | Remote Sense   |

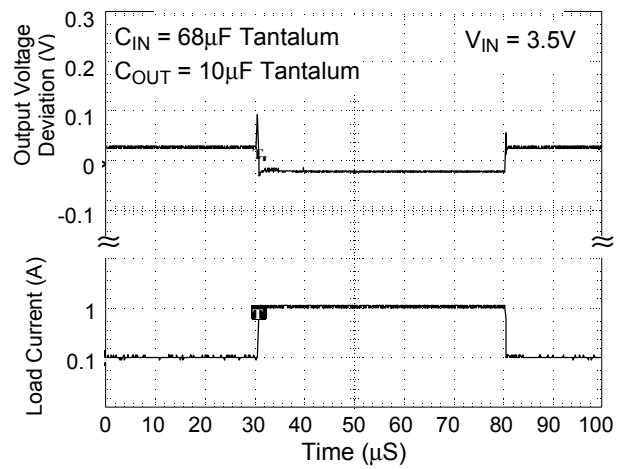
Typical Operating Characteristics



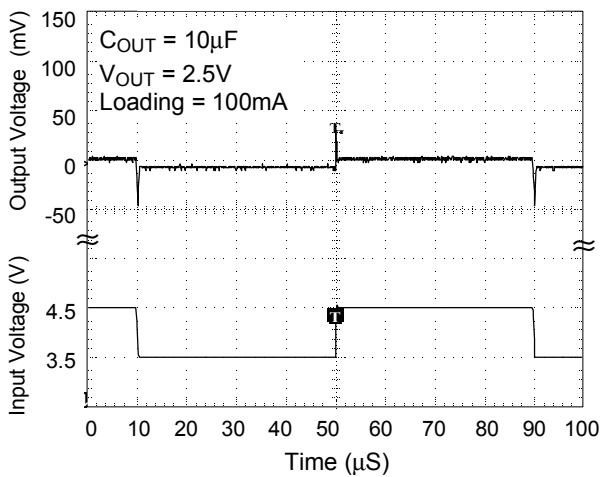
**Load Transient Response**



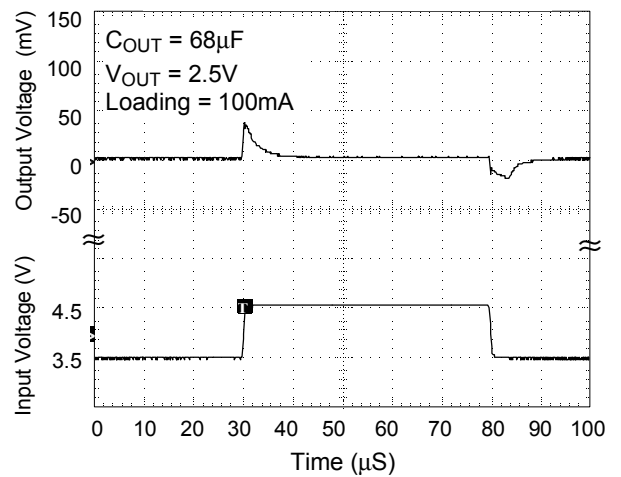
**Load Transient Response**



**Line Transient Response**



**Line Transient Response**



## Functional Description

### Capacitor Selection

The RT9172 requires a minimum input capacitance of 1 $\mu$ F between the input and ground pins to prevent any impedance interactions with the supply. The RT9172 requires a minimum of 10 $\mu$ F (tantalum, or electrolytic) capacitance between the output and ground pins for proper operation, if used 10 $\mu$ F ceramic please parallel with 100 $\mu$ F tantalum or electrolytic. Larger capacitance provides better load dynamics and noise performance.

### Error Operation ( $\overline{\text{FLG}}$ )

The RT9172 produces a logic low signal at the  $\overline{\text{FLG}}$  pin when the output drops out of regulation due to low input voltage, current limiting, or thermal limiting.

The internal error  $\overline{\text{FLG}}$  comparator has an open drain output stage. Hence, the  $\overline{\text{FLG}}$  pin should be pulled high through a pull up resistor.

### Sense Pin

In applications where the regulator output is not very close to the load, RT9172 can provide better remote load regulation using the SENSE pin. Fig.2 and Fig.3 depict the advantage of the SENSE option. RT9172 regulates the voltage at the output pin. Hence, the voltage at the remote load will be the regulator output voltage minus the drop across the trace resistance. For example, in the case of a 3.3V output, if the trace resistance is 100m $\Omega$ , the voltage at the remote load will be 3V with 3A of load current,  $I_{\text{LOAD}}$ . The RT9172 regulates the voltage at the sense pin. Connecting the sense pin to the remote load will provide regulation at the remote load, as shown in Fig.2 and Fig.3.

### Chip Enable Operation

A CMOS logic level signal at the chip enable (EN) pin will turn-off the regulator. Pin EN must be actively terminated through a 10k $\Omega$  pull-up resistor for a proper operation. If this pin is driven from a source that actively pulls high and low (such as a CMOS rail to rail comparator), the pull-up resistor is not required. This pin must be tied to  $V_{\text{IN}}$  if not used.

### Dropout Voltage

The dropout voltage of a regulator is defined as the minimum input-to-output differential required to stay within 2% of the output voltage. The RT9172 uses an internal MOS-FET with an  $R_{\text{DS(ON)}}$  160m $\Omega$ . For CMOS LDOs, the dropout voltage is the product of the load current and the  $R_{\text{DS(ON)}}$  of the internal MOSFET.

### Maximum Output Current Capability

RT9172 can deliver a continuous current of 1.5 A over the full operating temperature range. A heatsink may be required depending on the maximum power dissipation and maximum ambient temperature of the application. Under all possible conditions, the junction temperature must be within the range specified under operating conditions. The total power dissipation of the device is given by:

$$P_D = (V_{\text{IN}} - V_{\text{OUT}}) I_{\text{OUT}} + (V_{\text{IN}}) I_{\text{GND}}$$

where  $I_{\text{GND}}$  is the operating ground current of the device (specified under Electrical Characteristics).

The maximum allowable temperature rise ( $T_{\text{RMAX}}$ ) depends on the maximum ambient temperature ( $T_{\text{AMAX}}$ ) of the application, and the maximum allowable junction temperature ( $T_{\text{JMAX}}$ ):

$$T_{\text{RMAX}} = T_{\text{JMAX}} - T_{\text{AMAX}}$$

The maximum allowable value for junction to ambient Thermal Resistance,  $\theta_{\text{JA}} = T_{\text{RMAX}} - T_{\text{AMAX}}$

The maximum allowable value for junction to ambient Thermal Resistance,  $\theta_{\text{JA}}$ , can be calculated using the formula:

$$\theta_{\text{JA}} = T_{\text{RMAX}} / P_D$$

RT9172 are available in TO-220, TO-263, and SOT-223 packages. The thermal resistance depends in amount of copper area or heat sink, and on air flow. If the maximum allowable value of  $\theta_{\text{JA}}$  calculated above is  $\geq 60$   $^{\circ}\text{C/W}$  for TO-220 package,  $\geq 60$   $^{\circ}\text{C/W}$  for TO-263 package, and  $\geq 140$   $^{\circ}\text{C/W}$  for SOT-223 package, no heatsink is needed since the package can dissipate enough heat to satisfy these requirements. If the value for allowable  $\theta_{\text{JA}}$  falls below these limits, a heat sink is required.



**Heatsinking TO-220 Packages**

The thermal resistance of a TO-220 package can be reduced by attaching it to a heat sink or a copper plane on a PC board. If a copper plane is to be used, the values of  $\theta_{JA}$  will be same as shown in next section for TO-263 package.

As shown in the figure, increasing the copper area beyond 1 square inch produces very little improvement. The minimum value for  $\theta_{JA}$  for the TO-263 package mounted to a PCB is 32°C/W.

**Heatsinking TO-263 and SOT-223 Packages**

The TO-263 and SOT-223 packages use the copper plane on the PCB as a heatsink. The tab of these packages are soldered to the copper plane for heat sinking. Fig.4 shows a curve for  $\theta_{JA}$  of TO-263 package for different copper area sizes, using a typical PCB with 1 ounce copper and no solder mask over the copper area for heat sinking.

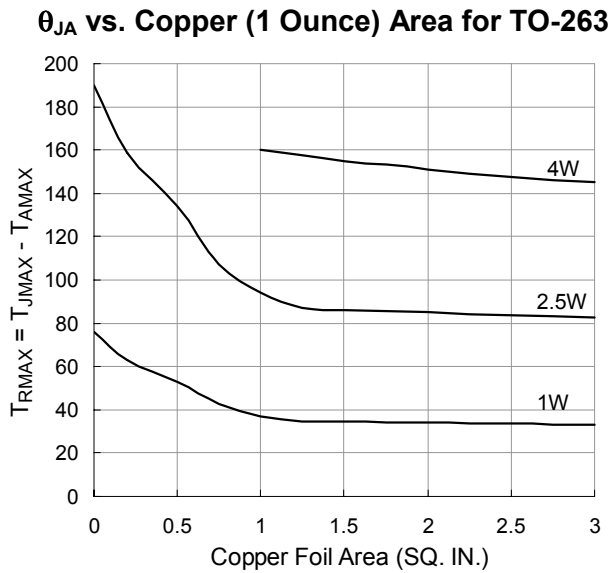
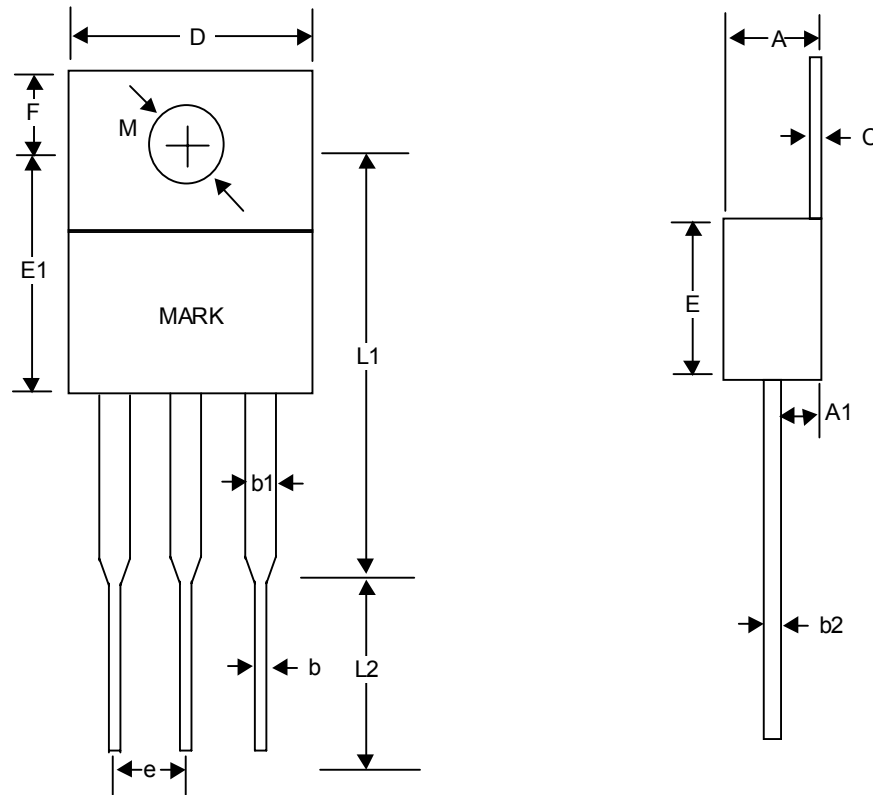


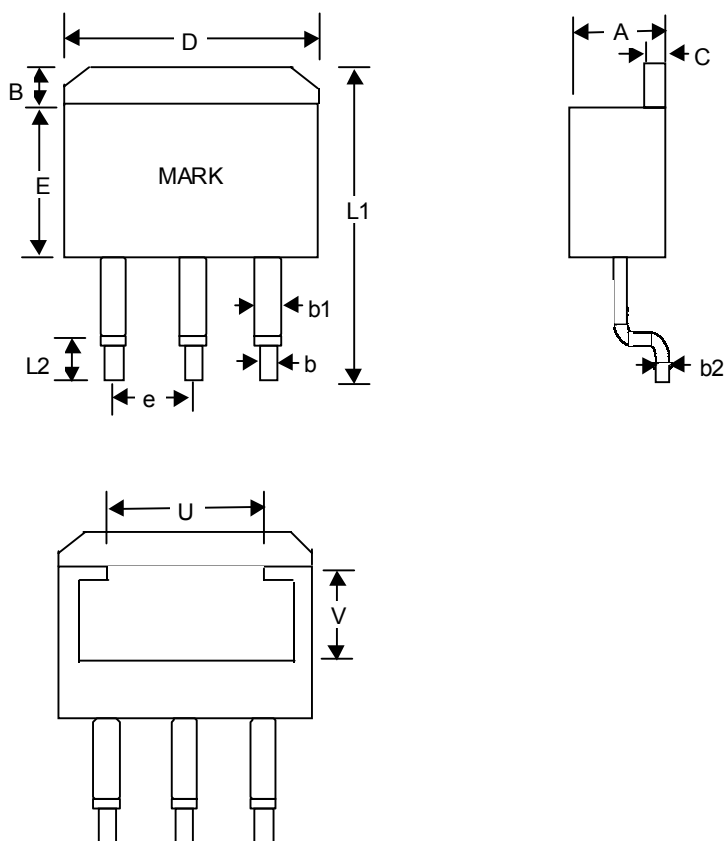
Fig. 4

Package Information



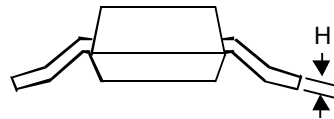
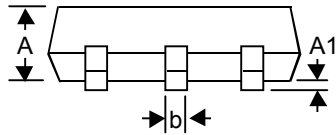
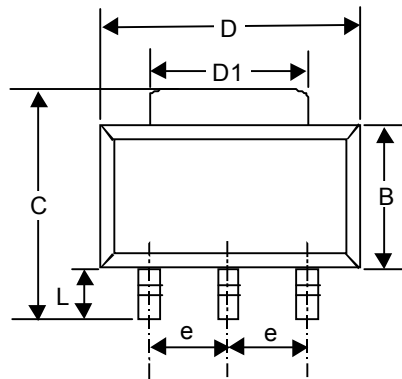
| Symbol | Dimensions In Millimeters |        | Dimensions In Inches |       |
|--------|---------------------------|--------|----------------------|-------|
|        | Min                       | Max    | Min                  | Max   |
| A      | 4.064                     | 4.826  | 0.160                | 0.190 |
| A1     | 2.032                     | 2.921  | 0.080                | 0.115 |
| b      | 0.635                     | 1.016  | 0.025                | 0.040 |
| b1     | 1.143                     | 1.524  | 0.045                | 0.060 |
| b2     | 0.305                     | 0.559  | 0.012                | 0.022 |
| C      | 1.143                     | 1.397  | 0.045                | 0.055 |
| D      | 9.779                     | 10.668 | 0.385                | 0.420 |
| E      | 7.620                     | 9.398  | 0.300                | 0.370 |
| e      | 2.286                     | 2.794  | 0.090                | 0.110 |
| E1     | 11.176                    | 12.954 | 0.440                | 0.510 |
| F      | 2.616                     | 2.870  | 0.103                | 0.113 |
| L1     | 17.526                    | 18.542 | 0.690                | 0.730 |
| L2     | 7.544                     | 8.636  | 0.297                | 0.340 |
| M      | 3.708                     | 3.962  | 0.146                | 0.156 |

3-Lead TO-220 Plastic Package



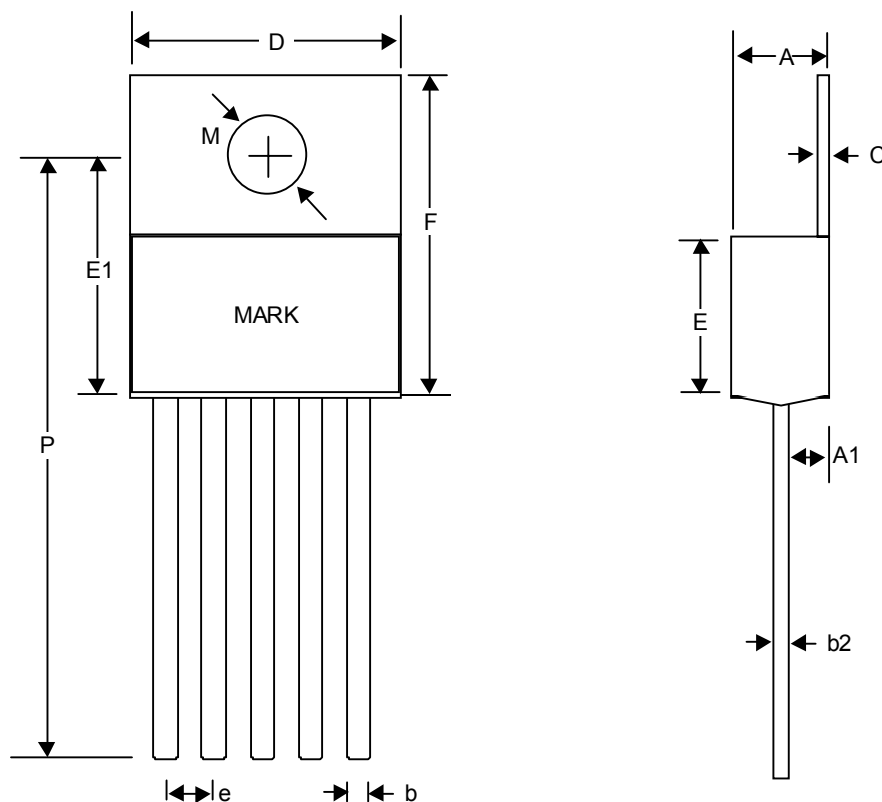
| Symbol | Dimensions In Millimeters |        | Dimensions In Inches |       |
|--------|---------------------------|--------|----------------------|-------|
|        | Min                       | Max    | Min                  | Max   |
| A      | 4.064                     | 4.826  | 0.160                | 0.190 |
| B      | 1.143                     | 1.676  | 0.045                | 0.066 |
| b      | 0.660                     | 0.914  | 0.026                | 0.036 |
| b1     | 1.143                     | 1.397  | 0.045                | 0.055 |
| b2     | 0.305                     | 0.584  | 0.012                | 0.023 |
| C      | 1.143                     | 1.397  | 0.045                | 0.055 |
| D      | 9.652                     | 10.668 | 0.380                | 0.420 |
| E      | 8.128                     | 9.652  | 0.320                | 0.380 |
| e      | 2.286                     | 2.794  | 0.090                | 0.110 |
| L1     | 14.605                    | 15.875 | 0.575                | 0.625 |
| L2     | 2.286                     | 2.794  | 0.090                | 0.110 |
| U      | 6.223 Ref.                |        | 0.245 Ref.           |       |
| V      | 7.620 Ref.                |        | 0.300 Ref.           |       |

**3-Lead TO- 263 Surface Mount**



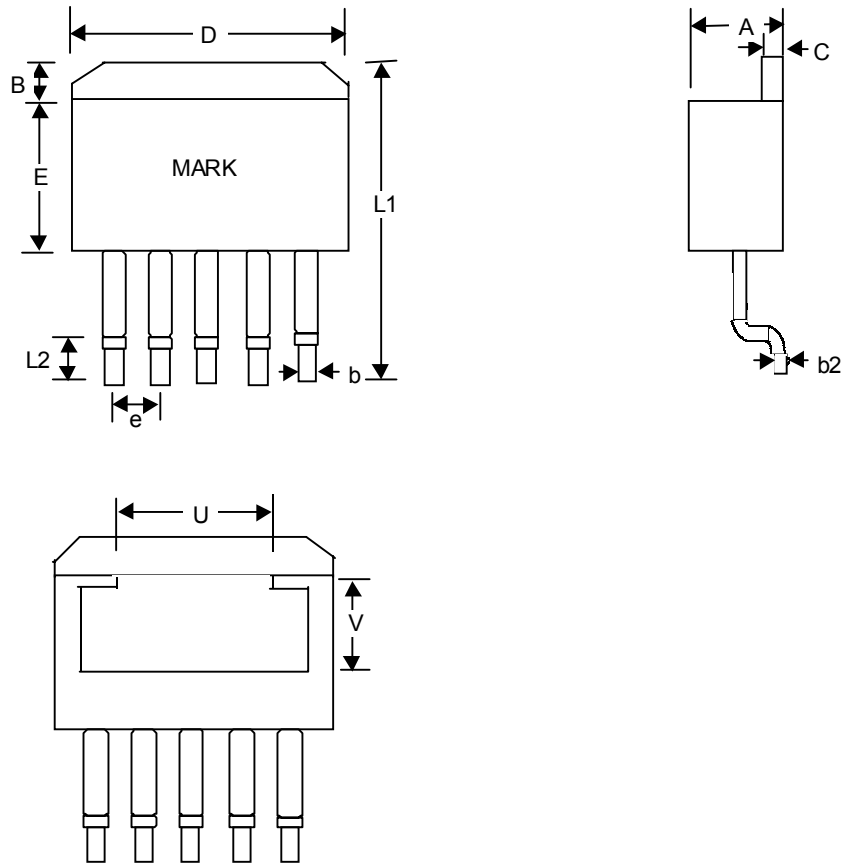
| Symbol | Dimensions In Millimeters |       | Dimensions In Inches |        |
|--------|---------------------------|-------|----------------------|--------|
|        | Min                       | Max   | Min                  | Max    |
| A      | --                        | 1.803 | --                   | 0.071  |
| A1     | 0.020                     | 0.100 | 0.0008               | 0.0047 |
| b      | 0.610                     | 0.787 | 0.024                | 0.031  |
| B      | 3.302                     | 3.708 | 0.130                | 0.146  |
| C      | 6.706                     | 7.290 | 0.264                | 0.287  |
| D      | 6.299                     | 6.706 | 0.248                | 0.264  |
| D1     | 2.896                     | 3.150 | 0.114                | 0.124  |
| e      | 2.261                     | 2.362 | 0.089                | 0.093  |
| H      | 0.229                     | 0.330 | 0.009                | 0.013  |
| L      | 0.914                     | --    | 0.036                | --     |

**3-Lead SOT-223 Plastic Surface Mount**



| Symbol | Dimensions In Millimeters |        | Dimensions In Inches |       |
|--------|---------------------------|--------|----------------------|-------|
|        | Min                       | Max    | Min                  | Max   |
| A      | 4.064                     | 4.826  | 0.160                | 0.190 |
| A1     | 2.032                     | 2.921  | 0.080                | 0.115 |
| b      | 0.635                     | 1.016  | 0.025                | 0.040 |
| b2     | 0.305                     | 0.559  | 0.012                | 0.022 |
| C      | 1.143                     | 1.397  | 0.045                | 0.055 |
| c      | 1.524                     | 1.829  | 0.060                | 0.072 |
| D      | 9.779                     | 10.668 | 0.385                | 0.420 |
| E      | 7.620                     | 9.398  | 0.300                | 0.370 |
| E1     | 11.176                    | 12.954 | 0.440                | 0.510 |
| F      | 14.224                    | 15.113 | 0.560                | 0.595 |
| M      | 3.708                     | 3.962  | 0.146                | 0.156 |
| P      | 24.689                    | 26.416 | 0.972                | 1.040 |

**5-Lead TO-220 Plastic Package**



| Symbol | Dimensions In Millimeters |        | Dimensions In Inches |       |
|--------|---------------------------|--------|----------------------|-------|
|        | Min                       | Max    | Min                  | Max   |
| A      | 4.064                     | 4.826  | 0.160                | 0.190 |
| B      | 1.143                     | 1.676  | 0.045                | 0.066 |
| b      | 0.660                     | 0.914  | 0.026                | 0.036 |
| b2     | 0.305                     | 0.584  | 0.012                | 0.023 |
| C      | 1.143                     | 1.397  | 0.045                | 0.055 |
| D      | 9.652                     | 10.668 | 0.380                | 0.420 |
| E      | 8.128                     | 9.652  | 0.320                | 0.380 |
| e      | 1.524                     | 1.829  | 0.060                | 0.072 |
| L1     | 14.605                    | 15.875 | 0.575                | 0.625 |
| L2     | 2.286                     | 2.794  | 0.090                | 0.110 |
| U      | 6.223 Ref.                |        | 0.245 Ref.           |       |
| V      | 7.620 Ref.                |        | 0.300 Ref.           |       |

**5-Lead TO-263 Plastic Surface Mount Package**



**RICHTEK TECHNOLOGY CORP.**

Headquarter

6F, No. 35, Hsintai Road, Chupei City

Hsinchu, Taiwan, R.O.C.

Tel: (8863)5510047 Fax: (8863)5537749

**RICHTEK TECHNOLOGY CORP.**

Taipei Office (Marketing)

8F-1, No. 137, Lane 235, Paochiao Road, Hsintien City

Taipei County, Taiwan, R.O.C.

Tel: (8862)89191466 Fax: (8862)89191465

Email: [marketing@richtek-ic.com.tw](mailto:marketing@richtek-ic.com.tw)