

## Auxiliary relay - HR111 - 1131089

Please be informed that the data shown in this PDF Document is generated from our Online Catalog. Please find the complete data in the user's documentation. Our General Terms of Use for Downloads are valid (<http://phoenixcontact.com/download>)



The auxiliary relays of the HR family are designed as axial armature relays. The HR 111 has a compact design with plug-in base and has up to 3 auxiliary contacts.

### Your advantages

- ✓ Reliable and durable operation, thanks to high switching capacity
- ✓ Service-friendly diagnostics, thanks to dust-tight transparent housing
- ✓ Large number of switching operations and low power consumption thanks to precise mechanical construction
- ✓ Space-saving installation, thanks to the compact design
- ✓ Easy startup, thanks to pre-assembled connectors



### Key Commercial Data

Packing unit	1
Custom tariff number	85364190

### Technical data

#### Dimensions

#### General

Note	Order information: An overview of the optional circuit diagrams can be found on the "Download" tab
	Order information: A template for transferring marking text is available on the "Downloads" tab
Scope of delivery	The wall-mounting design is delivered with connector plate.
	The combi design is delivered without a housing. Installation in an instrument housing is necessary for operation (see Accessories area).

### Environmental Product Compliance

China RoHS	Environmentally Friendly Use Period = 25;
------------	---

# Auxiliary relay - HR111 - 1131089

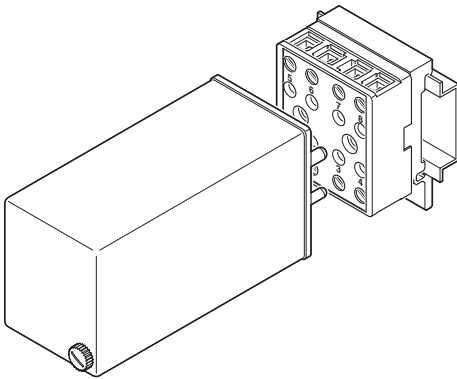
## Technical data

## Environmental Product Compliance

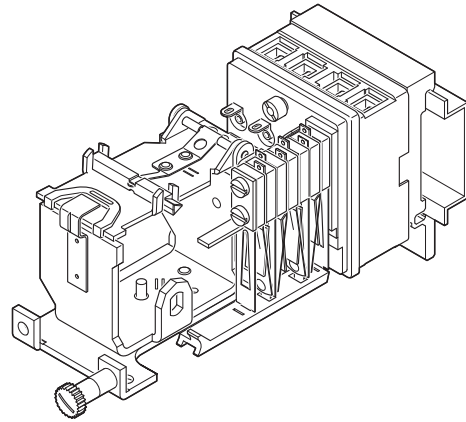
For details about hazardous substances go to tab "Downloads", Category "Manufacturer's declaration"

## Drawings

Exploded view



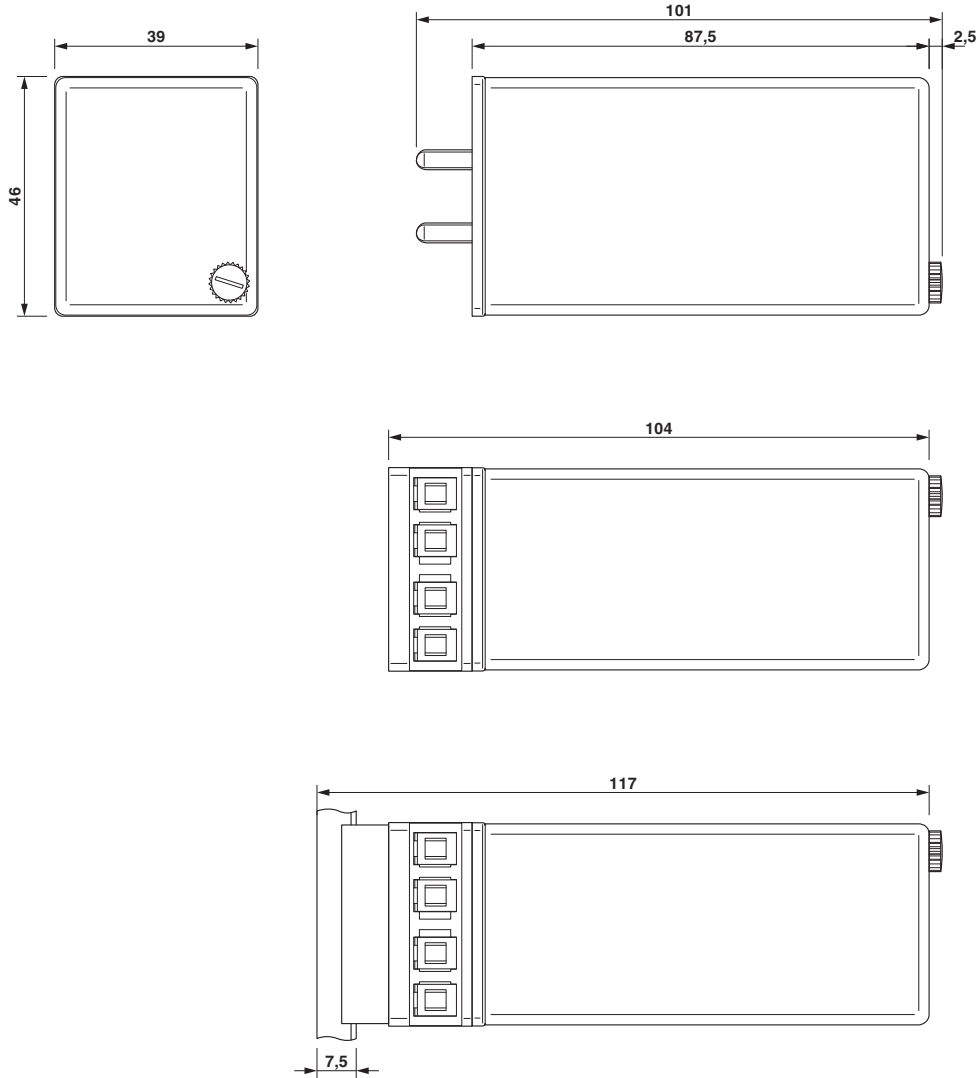
Exploded view



Without housing, with base and DIN rail fixing

# Auxiliary relay - HR111 - 1131089

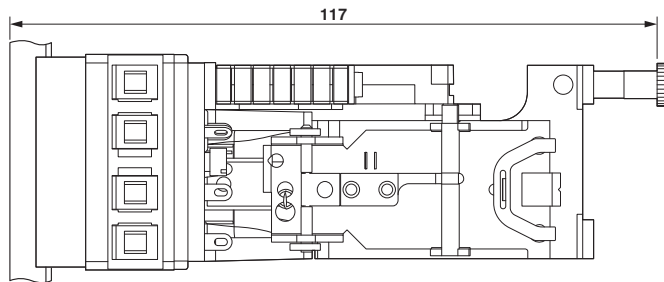
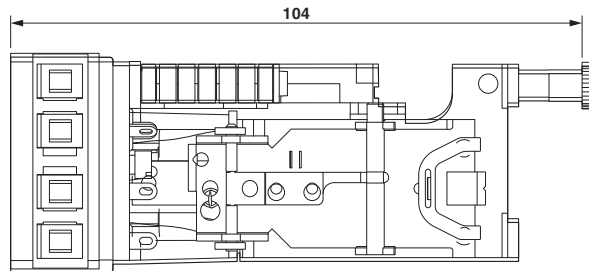
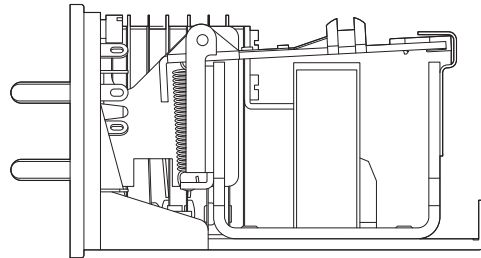
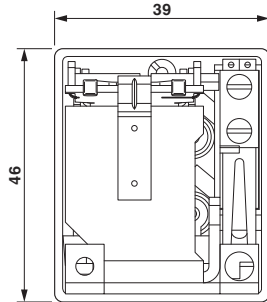
Dimensional drawing



With DIN rail fixing

# Auxiliary relay - HR111 - 1131089

Dimensional drawing



Without housing, with base and DIN rail fixing

## Classifications

eCl@ss

eCl@ss 10.0.1	27371601
eCl@ss 11.0	27371601
eCl@ss 4.0	27371000
eCl@ss 4.1	27371000
eCl@ss 5.0	27371600
eCl@ss 5.1	27371600

# Auxiliary relay - HR111 - 1131089

## Classifications

### eCl@ss

eCl@ss 6.0	27371600
eCl@ss 7.0	27371601
eCl@ss 9.0	27371601

### ETIM

ETIM 2.0	EC001437
ETIM 3.0	EC001437
ETIM 4.0	EC001437
ETIM 6.0	EC001437
ETIM 7.0	EC001437

## Accessories

### Accessories

#### Flush-type base

Base module - SOCKET FOR HR111/MR11/MR21 - 1113841



Connector plate for DIN rail mounting with screw contacts for accommodating MR 11/MR 21 annunciator relays and HR 111 auxiliary relays

### Housing

Housing - BANK HOUSING 96Q - 1113855



The 96Q instrument housing is designed for control panel mounting and has slots for 4 relays

Housing - BANK HOUSING 144Q - 1113854



The 144Q instrument housing is designed for control panel mounting and has slots for 9 relays

