

**PLEASE CHECK WWW.MOLEX.COM FOR LATEST PART INFORMATION**

**Part Number:** [0767060010](#)  
**Status:** **Active**  
**Description:** 1.40mm (0.055") Pitch Tinman Vertical Receptacle, 5 Pair, 10 Column, 150 Circuits, 85 Ohms, Lead Free

**Documents:**

[Drawing \(PDF\)](#) [RoHS Certificate of Compliance \(PDF\)](#)

**General**

Product Family	Backplane Connectors
Series	76706
Application	Backplane
Comments	85 Ohms
Component Type	PCB Receptacle
Product Name	Tinman
Style	N/A

**Physical**

Circuits (Loaded)	150
Circuits (maximum)	150
Color - Resin	Black
Durability (mating cycles max)	200
First Mate / Last Break	Yes
Guide to Mating Part	No
Keying to Mating Part	None
Material - Metal	Copper Alloy
Material - Plating Mating	Tin
Material - Resin	High Temperature Thermoplastic
Number of Columns	10
Number of Pairs	5
Number of Rows	15
Orientation	Vertical
PC Tail Length (in)	0.098 In
PC Tail Length (mm)	2.50 mm
PCB Locator	No
PCB Retention	None
PCB Thickness Recommended (in)	0.055 In
PCB Thickness Recommended (mm)	1.40 mm
Packaging Type	Tube
Pitch - Mating Interface (in)	0.074 In
Pitch - Mating Interface (mm)	1.90 mm
Stackable	No
Surface Mount Compatible (SMC)	Yes
Temperature Range - Operating	-65°C to +90°C
Termination Interface: Style	Surface Mount

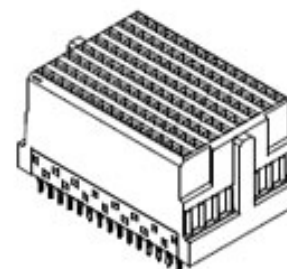
**Electrical**

Current - Maximum per Contact	0.5A
Data Rate	10.0 Gbps
Shielded	No
Voltage - Maximum	250V AC

**Material Info**

**Reference - Drawing Numbers**

Packaging Specification	PK-70873-0062
Sales Drawing	SD-76706-010



*image - Reference only*

*Series*

**EU RoHS**

**ELV and RoHS  
Compliant**  
**REACH SVHC  
Contains SVHC: No**  
**Halogen-Free  
Status  
Not Reviewed**

**China RoHS**



**Need more information on product  
environmental compliance?**

Email [productcompliance@molex.com](mailto:productcompliance@molex.com)  
 For a multiple part number RoHS Certificate of  
 Compliance, [click here](#)

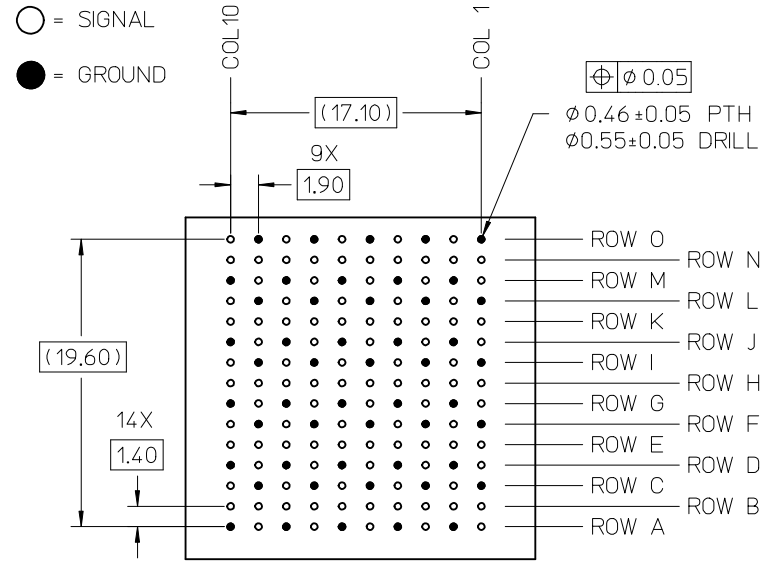
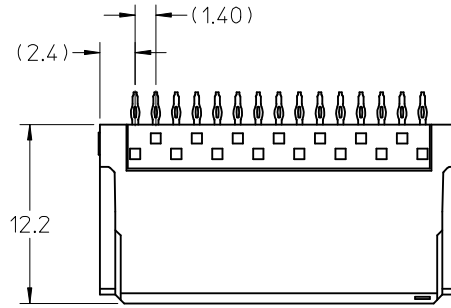
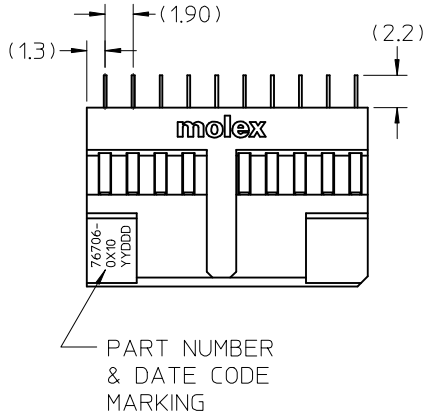
Please visit the [Contact Us](#) section for any  
 non-product compliance questions.

**Search Parts in this Series**

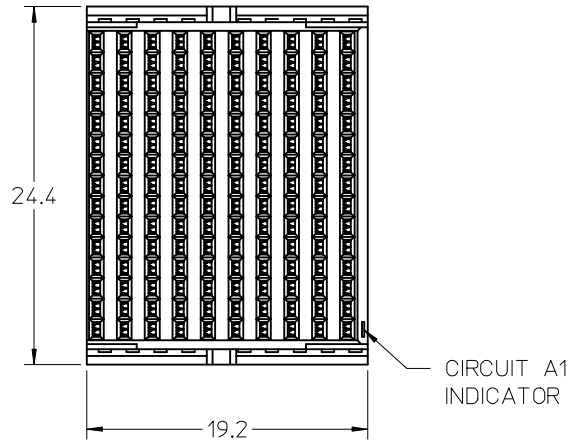
76706Series

This document was generated on 05/14/2010

**PLEASE CHECK [WWW.MOLEX.COM](http://WWW.MOLEX.COM) FOR LATEST PART INFORMATION**



CIRCUIT BOARD LAYOUT  
CONNECTOR SIDE



NOTES:

1. MATERIALS: CONTACTS - COPPER ALLOY; HOUSING - LIQUID CRYSTAL POLYMER (LCP), UL 94V-0, BLACK.
2. FINISHES: 30 MN MIN SELECTIVE GOLD (Au) IN CONTACT AREA, SELECTIVE MATTE TIN (Sn) OR TIN/LEAD (Sn/Pb) IN TAIL AREA, NICKEL (Ni) OVERALL.
3. PARTS PACKAGED PER PK-70873-0062.
4. THESE PARTS CONFORM TO MOLEX PRODUCT SPECIFICATION PS-76706-999.
5. THESE PARTS CONFORM TO MOLEX COSMETIC SPECIFICATION PS-45499-002 CLASS B.
6. MINIMUM CIRCUIT BOARD THICKNESS: 1.4

PART NUMBER	TAIL PLATING
76706-0010	MATTE TIN
76700-0110	TIN/LEAD

INITIAL RELEASE EC NO: UCP2009-1351 DRAWN: JBINGHAM CHKD: JLAURX APPR: JLAURX A	QUALITY SYMBOLS ▽=0 ▽=0	GENERAL TOLERANCES (UNLESS SPECIFIED)		DIMENSION STYLE MM ONLY		SCALE 3:1	DESIGN UNITS METRIC	THIRD ANGLE PROJECTION		
		4 PLACES	± ---	± ---	DRAWN BY	DATE	TITLE TINMAN 5-PAIR 85-OHM 10-COLUMN 15MM STACK HT. VERTICAL RECEPTACLE			
		3 PLACES	± ---	± ---	CHECKED BY	DATE				
		2 PLACES	± 0.13	± ---	JLAURX	2008/10/31	MOLEX MOLEX INCORPORATED			
1 PLACE	± 0.25	± ---	APPROVED BY	DATE						
ANGULAR ± 2 °		DRAFT WHERE APPLICABLE MUST REMAIN WITHIN DIMENSIONS		SEE CHART		DOCUMENT NO.		SD-76706-010		
				SIZE B	THIS DRAWING CONTAINS INFORMATION THAT IS PROPRIETARY TO MOLEX INCORPORATED AND SHOULD NOT BE USED WITHOUT WRITTEN PERMISSION				SHEET NO. 1 OF 1	