



## HIRSCHMANN MOBILITY

**Cellular (2G/3G/4G)**

**Outdoor Antenna**

**CEL 8026 BASE**

**Part Number 602-456-XXX**

### Features

- With bracket for fix mast and wall mount
- Directional radiation
- Vertical polarization

### Technical Data

Dimensions (without bracket)	approx. 154 mm x 134 mm x 46 mm
Housing and Radom materials	RAL 7035 Light Grey thermoplastic UV Stabilized
Weight	approx. 500 g
Wind Load (Resistance)	40 N at 150 Km/h, max. 180 Km/h
Wind Surface	0.02 m <sup>2</sup>
Installation Type	Mast: Ø 25-42 mm with U-bolt (included) Wall: mounting screw (not included)
Temperature range	-40°C - +80°C
Protection class	IP54
Cable type	CO-100 low loss

## Technical Data

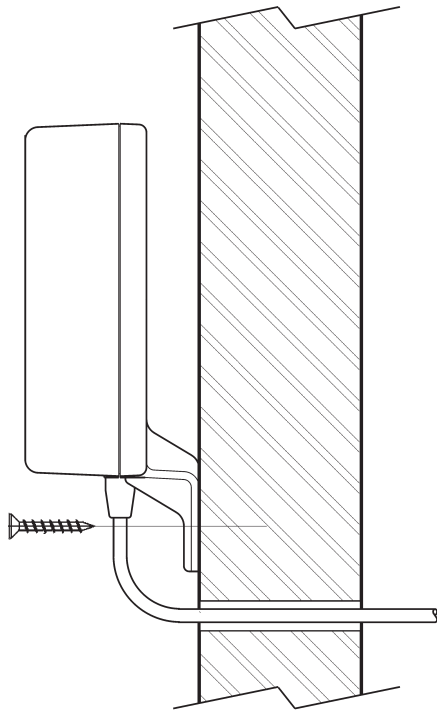
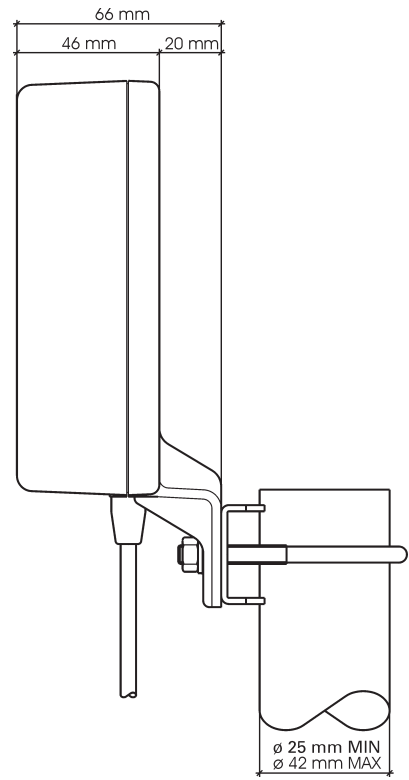
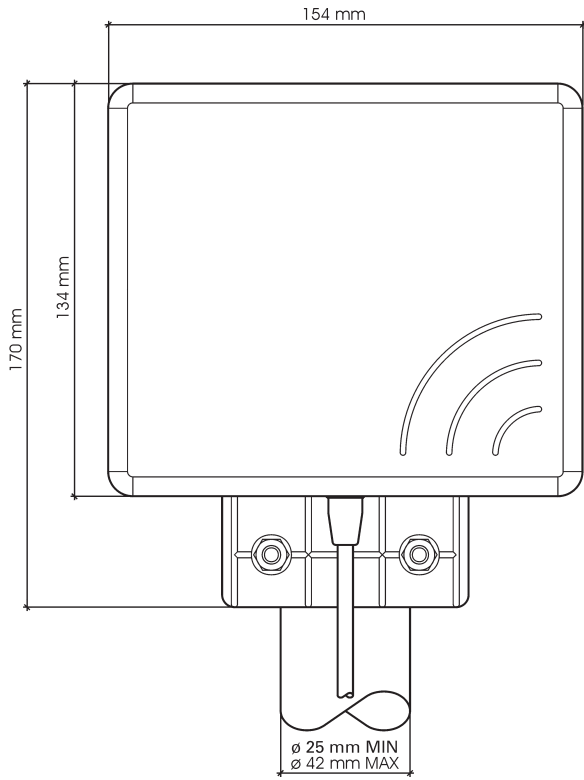
Cellular	
Frequency range	LTE 800 + GSM 900: 790 - 960 MHz GSM 1800: 1710 - 1880 MHz UMTS: 1920 - 2170 MHz WLAN + LTE (high): 2300 - 2700 MHz
Impedance	50 Ohm
Polarization	linear vertical
Gain	LTE 800 + GSM 900: 6-7 dBi* @ 790 - 960 MHz GSM 1800: 9 dBi* @ 1710 - 1880 MHz UMTS: 9 dBi* @ 1920 - 2170 MHz WLAN + LTE (high): 8-9 dBi* @ 2300 - 2700 MHz
Half Power Beam Width	see Typical Radiation Patterns
Front to back ratio	LTE 800 + GSM 900: 12 dB @ 790 - 960 MHz GSM 1800: 16 dB @ 1710 - 1880 MHz UMTS: 20 dB @ 1920 - 2170 MHz WLAN + LTE (high): 10 dB @ 2300 - 2700 MHz
Max Power @ 30°C	LTE 800 + GSM 900: 30 Watts (CW) @ 790 - 960 MHz GSM 1800: 15 Watts (CW) @ 1710 - 1880 MHz UMTS: 10 Watts (CW) @ 1920 - 2170 MHz WLAN + LTE (high): 10 Watts (CW) @ 2300 - 2700 MHz
Lightning protection	DC-ground
Return loss (VSWR)	≤ 2
Radiator Type	Dipol Panel Reflector

\* dBi: referenced to an isotropic radiator

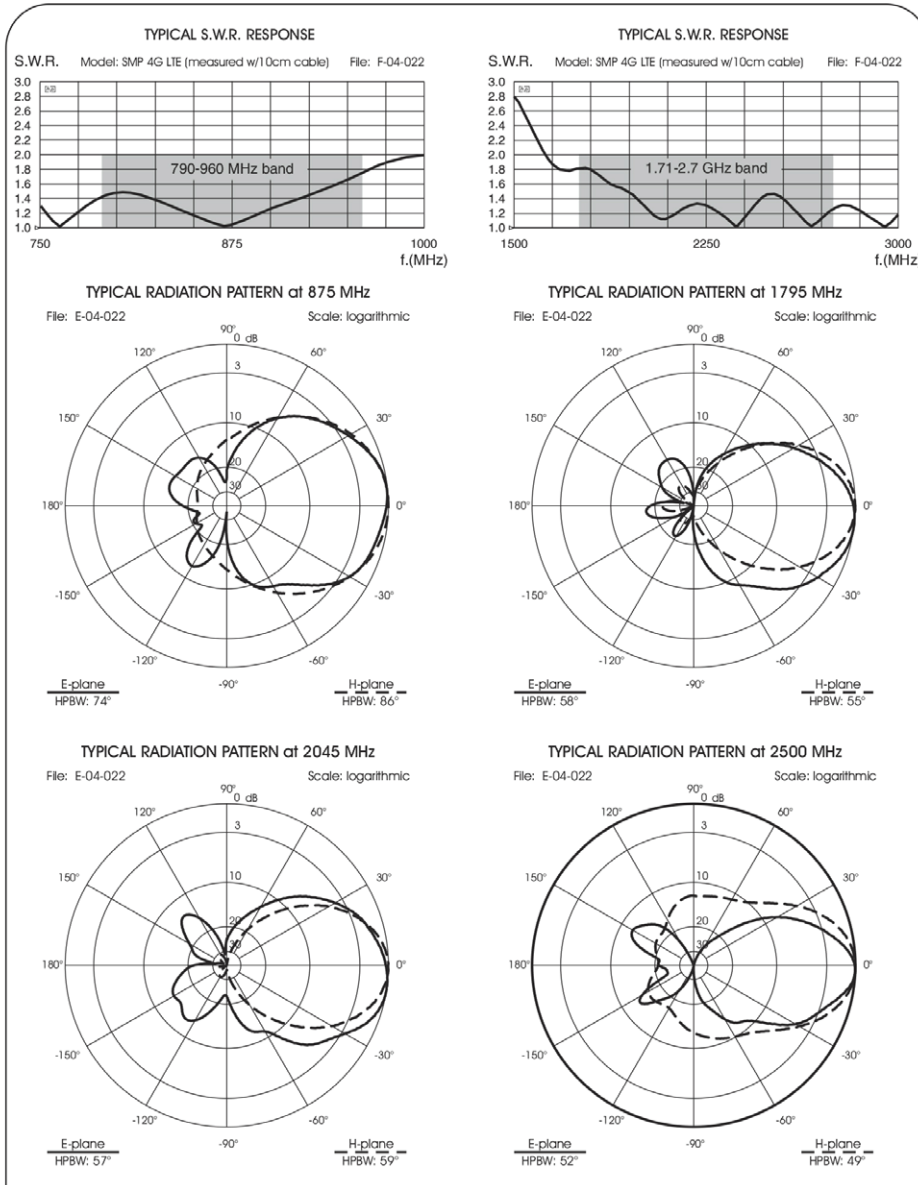
## Ordering Code

PN	Description	CELL
602-456-001	CEL 8026 BASE	5000 mm SMAM

Technical Drawing



Antenna Diagrams



[te.com/hirschmann-mobility](https://te.com/hirschmann-mobility)  
[hirschmann-mobility@te.com](mailto:hirschmann-mobility@te.com)

Hirschmann Car Communication GmbH,  
 a TE Connectivity Company  
 Stuttgarter Strasse 45-51  
 72654 Neckartenzlingen | Germany  
 Phone: +49 7127 14-0 | Fax: +49 7127 14-1428

TE, TE Connectivity, and TE connectivity (logo) are trademarks.  
 Hirschmann, LTE, GSM and UMTS are trademarks.  
 Other products and/or company names might be trademarks of their respective owners.

DISCLAIMER While TE Connectivity (TE) has made every reasonable effort to ensure the accuracy of the information in this data sheet, TE does not guarantee that it is error-free, nor does TE make any other representation, warranty or guarantee that the information is accurate, correct, reliable or current. TE reserves the right to make any adjustments to the information contained herein at any time without notice. TE expressly disclaims all implied warranties regarding the information contained herein, including, but not limited to, any implied warranties of merchantability or fitness for a particular purpose. The dimensions in this data sheet are for reference purposes only and are subject to change without notice. Specifications are subject to change without notice. Consult TE for the latest dimensions and design specifications.