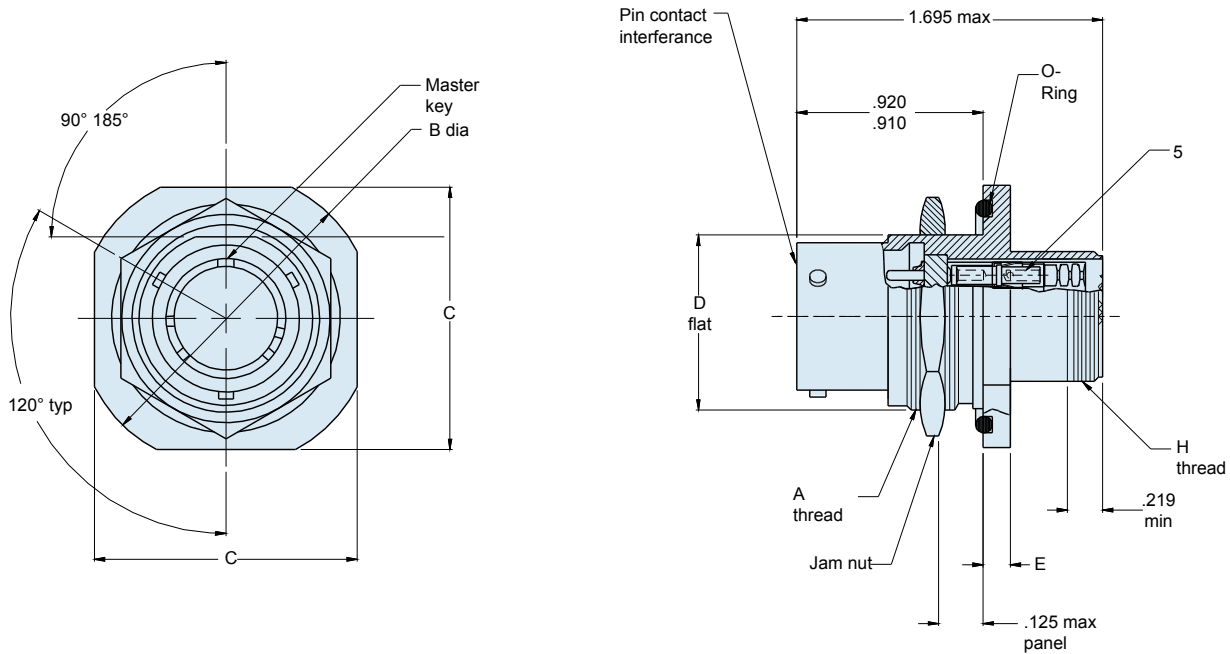
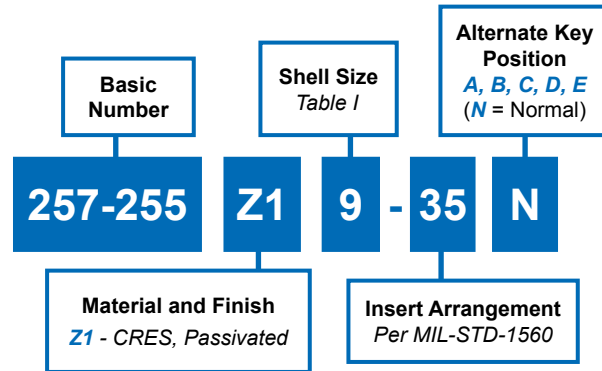




257-255

**Jam Nut Mount Hermetic Receptacle
with Crimp Removable Socket Contacts,
MIL-DTL-38999 Series I Type**

B



APPLICATION NOTES

- | | |
|---|---|
| <ol style="list-style-type: none"> 1. Assembly identified with manufacturer's name and part number, space permitting. 2. Insert arrangements in accordance with MIL-STD-1560. 3. Glenair 257-255 receptacle connector is designed to mate with any QPL manufacturer's MIL-DTL-38999 Series I plug connector having the same insert arrangement & polarization. 4. Material/finish:
Shell, jam nut—CRES/passivated | <p>Pin contacts—nickel-iron alloy 52/gold
 Socket contacts—copper alloy/gold
 Insulator—fused vitreous glass/N.A.
 Insulators—high grade rigid dielectric/ N.A.
 Seals—pure fluorosilicone rubber/ N.A.</p> <ol style="list-style-type: none"> 5. Supplied crimp removal socket contacts conform to M39029/57 6. Metric Dimensions (mm) are indicated in parentheses. |
|---|---|

Dimensions in Inches (millimeters) are subject to change without notice.

257-255
Jam Nut Mount Hermetic Receptacle
 with Crimp Removable Socket Contacts,
 MIL-DTL-38999 Series I Type



B

HERMETIC LEAK RATE MOD CODES	
Designator	Required Leak Rate
-585A	1 x 10 ⁻¹⁰ cc Helium per second
-585B	1 x 10 ⁻⁹ cc Helium per second
-585C	1 x 10 ⁻⁸ cc Helium per second

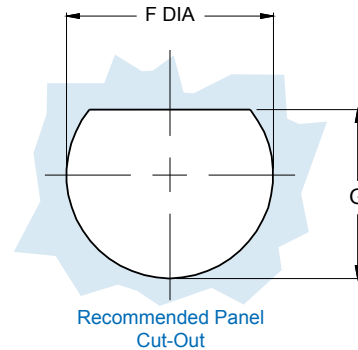


TABLE I: CONNECTOR DIMENSIONS				
SHELL SIZE	A THREAD CLASS 2A	B DIA ±.016(0.4)	C FLATS ±.016(0.4)	D FLAT ±.005(0.1)
9	.6875-24 UNEF	1.188(30.2)	1.062(27.0)	.650(16.5)
11	.8125-20 UNEF	1.375(34.9)	1.250(31.8)	.750(19.1)
13	1.000-20 UNEF	1.500(38.1)	1.375(34.9)	.937(23.8)
15	1.125-18 UNEF	1.625(41.3)	1.500(38.1)	1.061(26.9)
17	1.250-18 UNEF	1.750(44.5)	1.625(41.3)	1.186(30.1)
19	1.375-18 UNEF	1.938(49.2)	1.812(46.0)	1.311(33.3)
21	1.500-18 UNEF	2.062(52.4)	1.938(49.2)	1.436(36.5)
23	1.625-18 UNEF	2.188(55.6)	2.062(52.4)	1.561(39.6)
25	1.750-18 UNS	2.312(58.7)	2.188(55.6)	1.686(42.8)

TABLE I (CONTINUED): CONNECTOR DIMENSIONS				
SHELL SIZE	E DIA ±.016(0.4)	F DIA ±.005 (0.1)	G ±.005 (0.1)	H THREAD CLASS 2A
9	.109(2.8)	.693 (17.60)	.657 (16.70)	.4375-28 UNEF
11	.109(2.8)	.825 (20.96)	.771 (19.59)	.5625-24 UNEF
13	.109(2.8)	1.010 (25.65)	.955 (24.26)	.6875-24 UNEF
15	.109(2.8)	1.135 (28.83)	1.085 (27.56)	.8125-20 UNEF
17	.140(3.6)	1.260 (32.01)	1.210 (30.73)	.9375-20 UNEF
19	.140(3.6)	1.385 (35.18)	1.335 (33.91)	1.0625-18 UNEF
21	.140(3.6)	1.510 (38.35)	1.460 (37.08)	1.1875-18 UNEF
23	.140(3.6)	1.635 (41.53)	1.585 (40.26)	1.3125-18 UNEF
25	.140(3.6)	1.760 (44.70)	1.710 (43.43)	1.4375-18 UNEF

Dimensions in Inches (millimeters) are subject to change without notice.