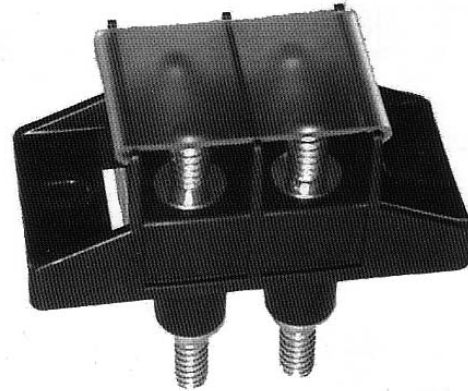


Series C7021

Power Feed Thru Terminal Block

MAGNUM® is pleased to introduce a UL and CUL recognized, power feed through terminal block. The C7021 Series block has rows of two 1/4-20 studs which are capable of accommodating the industry standard two-hole compression lugs on 5/8" centers. The block is rated at 300V and 175A when using both studs in parallel or 115A using a single stud per line.

The C7021 is manufactured using a durable UL 94V-0 thermoplastic in order to minimize barrier breakage. The block can be mounted using four #6 thread cutting screws that mount from the backside or using the optional mount ends to secure the block to the panel from the front. Additional hardware and optional dead-front covers (Part No. CSB7021-XX) are also available.



APPLICATIONS

The C7021 terminal block is intended for use in applications requiring up to 175A utilizing a 2-hole compression lug on 5/8" centers. It is ideal for use as an input/output block for telecommunications power panels, or anywhere in which -eliminating busbars would be an advantage.

SPECIFICATIONS

Ratings: 175A* per pole, 300V.

Center Spacing: 0.690" (17.5mm)

Wire Range: AWG #2/0-8

Number of Poles: 2-6

Bolt Hole Spacing: 0.625" (15.88mm)

Stud: Standard 1/4-20 stud or optional M6 stud.

Mounting: Optional mounting ears.

Stud Material: Brass, Tin Plated.

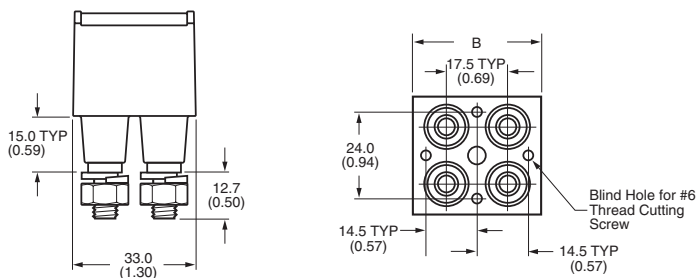
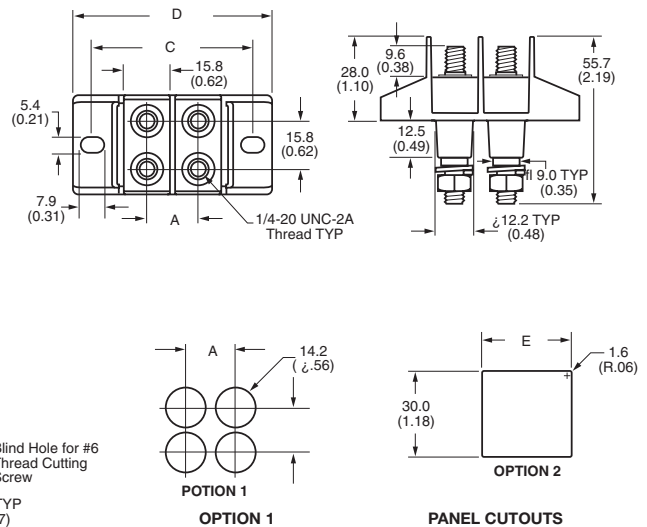
Torque Rating: 36 in-lb

Operating Temperature: 130°C

Agency Information: UL/CSA; CE Certified

*175 achieved using both studs in parallel, 115A using a single stud per line.

Part No.	A	B	C	D	E
C7021-01-X					
C7021-02-X	17.5 (0.69)	-	54.4 (2.14)	67.3 (2.65)	31.8 (1.25)
C7021-03-X	34.9 (1.37)	-	70.9 (2.83)	84.8 (3.34)	49.2 (1.94)
C7021-04-X	52.3 (2.06)	-	89.3 (3.52)	102.2 (4.02)	66.7 (2.63)
C7021-05-X	69.8 (2.75)	-	106.8 (4.20)	119.7 (4.71)	84.2 (3.31)
C7021-06-X	87.2 (3.44)	-	124.2 (4.89)	134.1 (5.40)	101.7 (4.00)
C7021-01N-X					
C7021-02N-X	17.5 (0.69)	36.1 (1.42)	-	-	31.8 (1.25)
C7021-03N-X	34.9 (0.69)	53.5 (2.11)	-	-	49.2 (1.94)
C7021-04N-X	52.3 (2.06)	71.0 (2.80)	-	-	66.7 (2.63)
C7021-05N-X	69.8 (2.75)	88.4 (3.48)	-	-	84.2 (3.31)
C7021-06N-X	87.2 (3.44)	105.9 (4.17)	-	-	101.7 (4.00)



Part Numbering System

Inches (Millimeters)

Series

C7021

Poles

— □ □

01 – 1 pole (2 studs)
 02 – 2 pole (4 studs)
 03 – 3 pole (6 studs)
 04 – 4 pole (8 studs)
 05 – 5 pole (10 studs)
 06 – 6 pole (12 studs)

Mount Ends

□

Blank – Mount ends
 N – No mount ends

Studs

□ □ —

Blank – Standard
 1/4 – 20 studs
 M6 – M6 studs

Hardware

□ □

Blank – No hardware
 0 – Bulk pack, one set
 1 – Bulk pack, two sets
 2 – Assembled, bottom
 3 – Assembled, top
 4 – Assembled, both sets

Series C7024

Power Feed Thru Terminal Block

MAGNUM® is pleased to introduce a UL and CUL recognized, power feed through terminal block. The C7024 Series block has rows of two 1/4-28 studs which are capable of accommodating the industry standard two-hole compression lugs on 3/4" centers. The block is rated at 600V 115A.

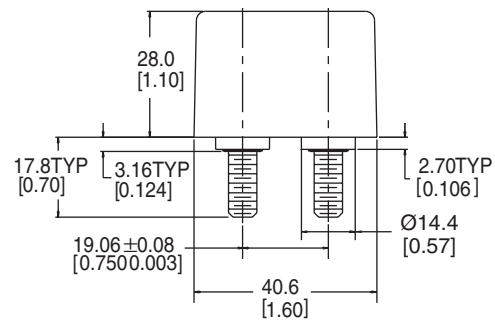
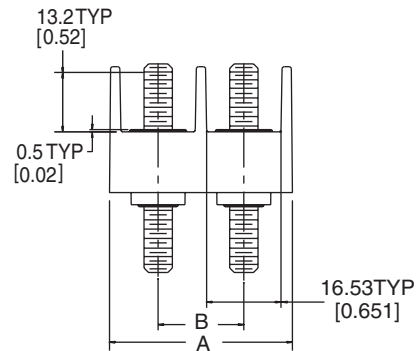
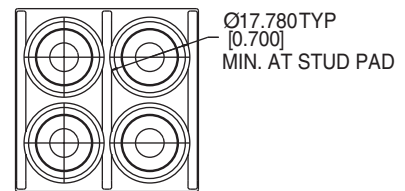
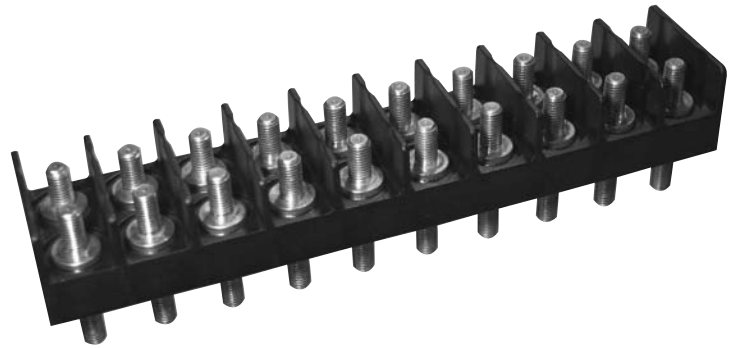
The C7024 is manufactured using a durable UL 94V-0 thermoplastic in order to minimize barrier breakage.

APPLICATIONS

The C7024 terminal block is intended for use in applications requiring up to 115A utilizing a 2-hole compression lug on 3/4" centers. It is ideal for use as an input/output block for telecommunications power panels, or anywhere in which -eliminating busbars would be an advantage.

SPECIFICATIONS

- Ratings:** 115A per pole, 600V.
- Center Spacing:** 0.75" (19.1mm)
- Wire Range:** #2-8 AWG
- Number of Poles:** 1-12
- Bolt Hole Spacing:** 0.75" (19.1mm)
- Stud:** Standard 1/4-28 stud
- Stud Material:** Tin Plated Bronze.
- Torque Rating:** 36 in-lb
- Operating Temperature:** 130°C
- Agency Information:** UL/CSA; CE Certified



Part Number	"A" Dimension ±0.4(±0.02)	"B" Dimension
C7024-01	21.6(0.85)	-
C7024-02	40.6(1.60)	19.05±0.08(0.750±0.003)
C7024-03	59.7(2.35)	38.10(1.500)
C7024-04	78.7(3.10)	57.15±0.26(2.250±0.010)
C7024-05	97.8(3.85)	76.2(3.00)
C7024-06	116.8(4.60)	95.25±0.26(3.750±0.010)
C7024-07	135.9(5.35)	114.30±0.38(5.250±0.015)
C7024-08	154.9(6.10)	133.35±0.38(5.25±0.015)
C7024-09	174.0(6.85)	152.40±0.38(6.00±0.015)
C7024-10	193.0(7.60)	171.45±0.38(6.750±0.015)
C7024-11	212.1(8.35)	190.50±0.38(7.500±0.015)
C7024-12	231.1(9.10)	209.55±0.38(8.250±0.015)

Part Numbering System

Inches (Millimeters)

Series

C 7 0 2 4

Poles

— □ □

01 - 12