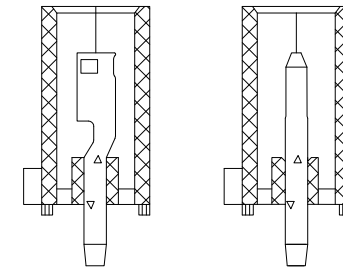


PCB LAYOUT

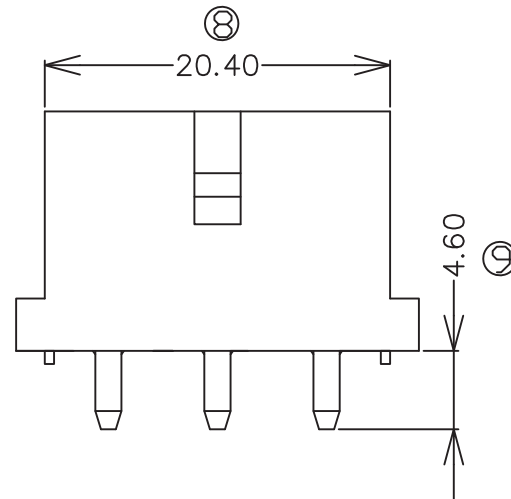
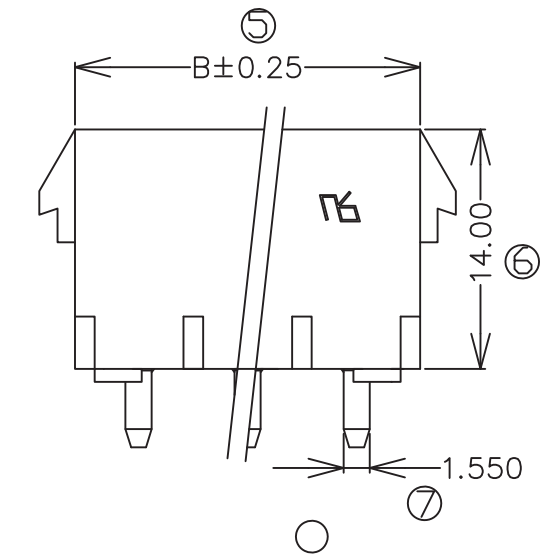
■ Specifications :

- Voltage rating: 600V AC / DC
- Current rating: 15A AC / DC
- Withstanding voltage: 5000V AC/minute
- Temperature range: -25°C~+85°C
- Insulation resistance: $\geq 1000\Omega$
- Contact resistance: $\leq 3.5m\Omega$
- After environmental testing: $\leq 10m\Omega$



TYPE 1

TYPE 2



Circuits	Dim: A	Dim: B
3x2	6.35	14.00
3x3	12.70	20.35
3x4	19.05	26.70
3x5	25.40	33.05

				TOLERANCE UNLESS OTHERWISE		DRAWN	CK tan	XFCN兴飞连接器有限公司 CONNECTORS XFCN CONNECTORS CO., LTD.		SHEET	1/1
				X.	± 0.30	X°	$\pm 5^\circ$			CHKD	DATE
				.X	± 0.20	.X°	$\pm 2^\circ$	APPD	PRODUCT NAME	6.35mm Crimp Style Connectors	
				.XX	± 0.08	.XX°	$\pm 1^\circ$	VIEW	PART. NO.	M9848-3xNP-1	
A0	MODIFICATION			DATE	.XXX	± 0.03	.XXX°	$\pm 0.5^\circ$		DWG. NO.	009