

Features

- Low power loss, high efficiency.
- High current capability, low forward voltage drop.
- High surge capability.
- Guardring for overvoltage protection.
- Ultra high-speed switching.
- Silicon epitaxial planar chip, metal silicon junction. Suffix "H" indicates Halogen-free part, ex.MBR3040CTH-J. Lead-free parts meet environmental standards of MIL-STD-19500 /228

Mechanical data

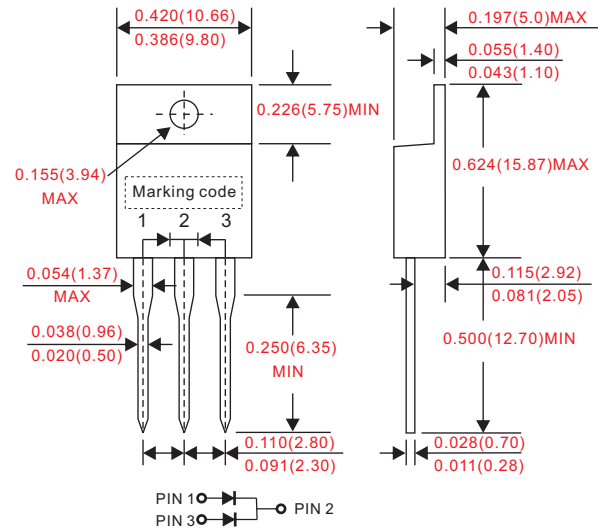
- Epoxy : UL94-V0 rated flame retardant.
- Case : JEDEC TO-220AB molded plastic body over passivated chip.
- Lead : Axial leads, solderable per MIL-STD-202, Method 208 guaranteed.
- Polarity: Color band denotes cathode end.
- Mounting Position : Any.
- Weight : Approximated 2.25 gram.

Maximum ratings and electrical characteristics

Rating at 25°C ambient temperature unless otherwise specified. Single phase, half wave, 60Hz, resistive or inductive load. For capacitive load, derate current by 20%.

Outline

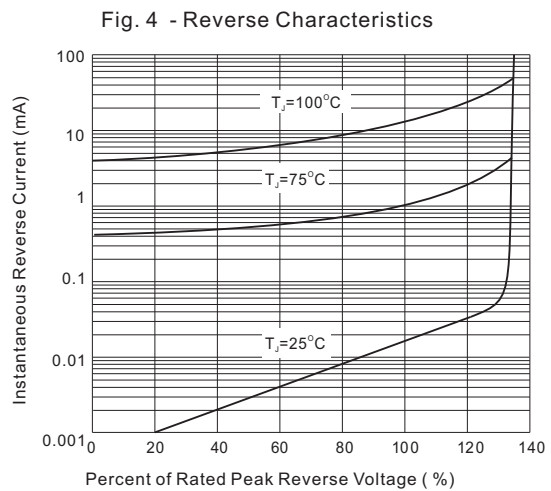
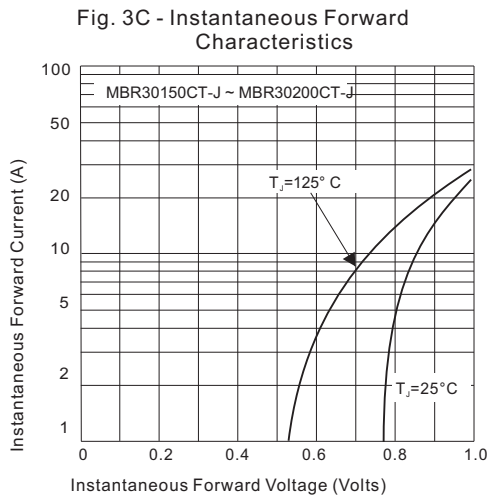
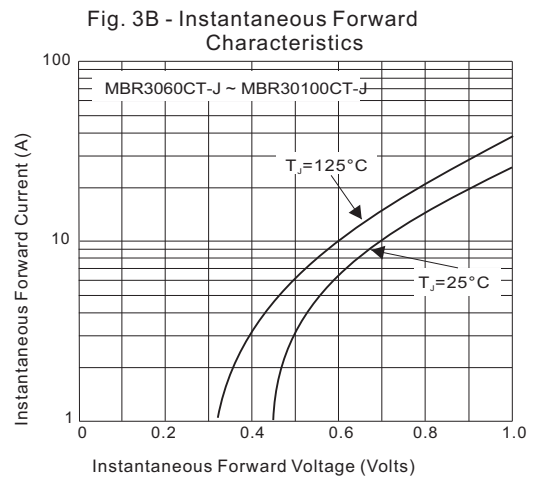
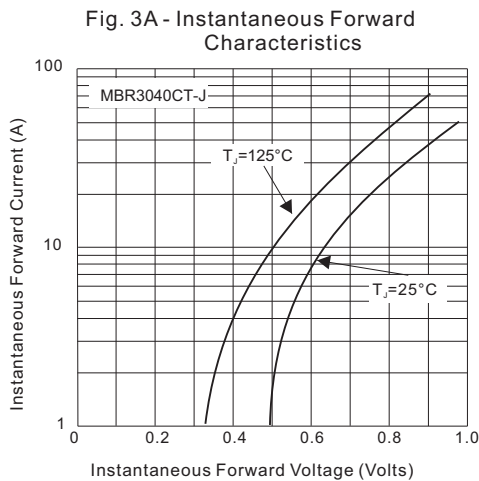
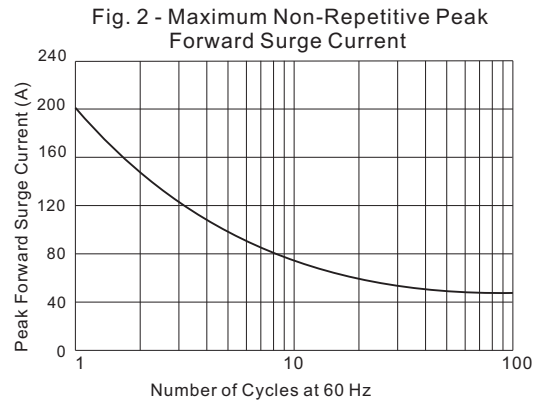
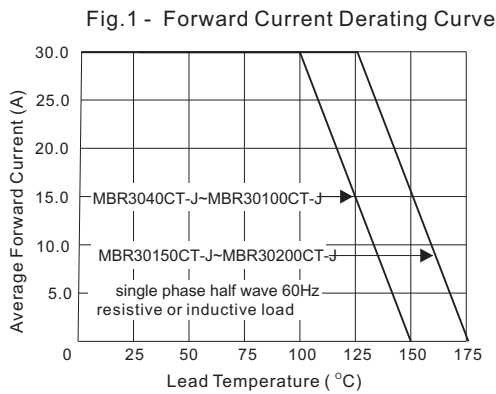
TO-220AB



Parameter	Conditions	Symbol	MIN.	TYP.	MAX.	UNIT
Forward rectified current	See Fig.1	I_o			30	A
Forward surge current	8.3ms single half sine-wave superimposed on rate load (JEDEC method)	I_{FSM}			200	A
Reverse current	$V_R = V_{RRM} T_A = 25^\circ C$	I_R			0.1	mA
	$V_R = V_{RRM} T_A = 125^\circ C$				10	
Diode junction capacitance	f=1MHz and applied 4V DC reverse voltage	C_j		150		pF
Thermal resistance	Junction to ambient	R_{BJA}		30		°C/W
Storage temperature		T_{STG}	-55		+175	°C

Symbol	Marking code	Max. repetitive peak reverse voltage V_{RRM} (V)	Max. RMS voltage V_{RMS} (V)	Max. DC blocking voltage V_R (V)	Max. forward voltage @15A, $T_A = 25^\circ C$ V_F (V)	Max. forward voltage @15A, $T_A = 125^\circ C$ V_F (V)	Operating temperature T_J (°C)
MBR3040CT-J	MBR3040CT	40	28	40	0.70	0.57	-55 ~ +150
MBR3045CT-J	MBR3045CT	45	31.5	45			
MBR3060CT-J	MBR3060CT	60	42	60	0.79	0.70	
MBR3065CT-J	MBR3065CT	65	45.5	65			
MBR30100CT-J	MBR30100CT	100	70	100	0.81	0.71	-55 ~ +175
MBR30150CT-J	MBR30150CT	150	105	150	0.87	0.77	
MBR30200CT-J	MBR30200CT	200	140	200	0.90	0.80	

■ Rating and characteristic curves





MBR3040CT-J THRU MBR30200CT-J

30A High Power Schottky Barrier Rectifiers



PACKAGE	SPQ/PCS	CARTON SPQ/PCS	CARTON SIZE/CM	CARTON GW/KG	CARTON NW/KG
TO-220AB	50/tube;1000/BOX	5000	58X23.5X18	15.00	13.00