

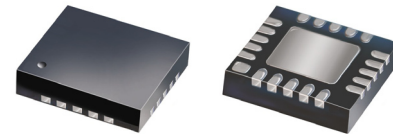
SPDT RF SWITCH

50Ω DC-3000 MHz

Absorptive RF Switch with internal driver.
Single Supply Voltage , +3V

Product Features

- Very Low Insertion loss over entire frequency range
- Super High Isolation over entire frequency range
- High Input IP3, +55 dBm typ.
- Single positive supply voltage, +3V
- Very low DC current consumption, 8μA
- Immune to latch up
- Unique design-simultaneous switch off of RF1&RF2



HSWA2-30DR+

Typical Applications

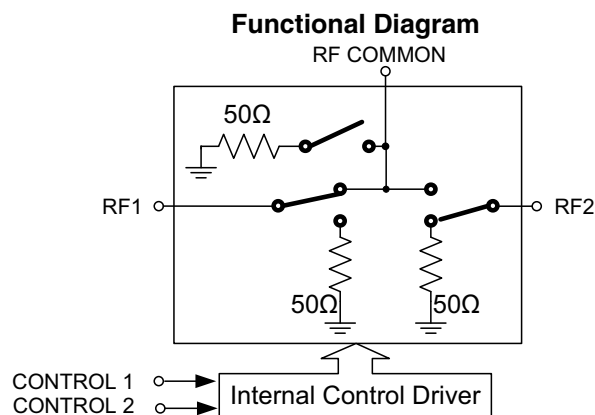
- Base Station Infrastructure
- Portable Wireless
- CATV & DBS
- MMDS & Wireless LAN
- Band switch
- Diplexer switches
- Bypass switches

+ RoHS compliant in accordance
with EU Directive (2002/95/EC)

The +Suffix has been added in order to identify RoHS Compliance. See our web site for RoHS Compliance methodologies and qualifications.

General Description

The HSWA2-30DR+ is a 50Ω high isolation SPDT RF switch designed for wireless applications, covering a broad frequency range from DC up to 3GHz with low insertion loss. The HSWA2-30DR+ operates on a single supply voltage +3V. See application note AN-80-006 for +5V supply voltage. This unit includes an internal CMOS control driver with two-pins control. The switch consumes very low supply current, 8 μA typ. The HSWA2-30DR+ switch is in a very small size and low profile package, 4x4mm and 0.9mm respectively.



Mini-Circuits®
ISO 9001 ISO 14001 CERTIFIED

ALL NEW
minicircuits.com

P.O. Box 350166, Brooklyn, New York 11235-0003 (718) 934-4500 Fax (718) 332-4661 For detailed performance specs & shopping online see Mini-Circuits web



The Design Engineers Search Engine Provides ACTUAL Data Instantly From MINI-CIRCUITS At: www.minicircuits.com

RF/IF MICROWAVE COMPONENTS

Rev. F
M116303
HSWA2-30DR+
080227
Page 1 of 11

RF Electrical Specifications, DC-3000 MHz, T_{AMB}=25°C, V_{DD}=+3V

Parameter	Condition	Min.	Typ.	Max.	Units
Operating Frequency		DC ^(note 4)		3000	MHz
Insertion Loss ^(note 1)	1 GHz 2 GHz 3 GHz		0.75 0.95 1.2	1.0 1.2 1.4	dB
Isolation between Common port and RF1/RF2 ports	1 GHz 2 GHz 3 GHz	55 46 40	64 50 44		dB
Isolation between RF1 and RF2 ports	1 GHz 2 GHz 3 GHz	57 54 40	63 60 48		dB
Return Loss @ Common port	1 GHz 2 GHz 3 GHz		20 17 14		dB
Return Loss @ RF1/RF2 ports	1 GHz 2 GHz 3 GHz		20 18 17		dB
Input IP2	5 MHz - 1000 MHz		+80		dBm
Input IP3 ^(note 2)	10 MHz - 1000MHz 1000MHz - 3000MHz		+55 +52		dBm
Input 1dB Compression ^(note 2,3)	1000 MHz	+29	+31		dBm

Notes:

1. I.LOSS values are de-embedded from test board Loss.
2. Device linearity degrades below 1 MHz.
3. Note absolute maximum ratings for input power.
4. Lowest Freq. determined by value of coupling capacitors at RF ports.

DC Electrical Specifications

Parameter	Min.	Typ.	Max.	Units
V _{DD} , Supply Voltage ^(note 5)	2.7	3	3.3	V
Supply Current (V _{DD} = 3V) ^(note 6)	—	8	20	μA
Control Voltage Low	0	—	0.3xV _{DD}	V
Control Voltage High	0.7xV _{DD}	—	V _{DD}	V

Note 5: See application note AN-80-006 for +5V supply voltage.

Note 6: At Control Frequency of 1 kHz. Increases to 21 μA at 10 kHz and 56 μA at 50 kHz typically.

Switching Specifications

Parameter	Min.	Typ.	Max.	Units
Switching Time, 50% CTRL to 90/10% RF	—	2.0	—	μSec
Video Feedthrough, 5 MHz - 1000 MHz ^(note 7)	—	—	15	mV _{p-p}

Note 7: Measured with a 1 nSec risetime, 0/3V pulse and 500 MHz bandwidth.

Absolute Maximum Ratings

Parameter	Ratings
Operating Temperature	-40°C to 85°C
Storage Temperature	-65°C to 150°C
V _{DD} , Supply Voltage	-0.3V Min., 4V Max.
Voltage control	-0.3V Min., V _{DD} + 0.3V Max.
ESD, HBM (ANSI/ESD STM 5.1 - 2001)	250V to < 500V (CLASS 1A)
ESD, MM (ANSI/ESD STM 5.2 - 1999)	50V (CLASS M1)
RF input power: ^(note 8)	
When the common port is connected to the RF port (RF1 or RF2)	+33dBm
When the RF port (RF1 or RF2) is not connected to the common port	+24dBm
When the common port is not connected to either RF1 or RF2	+24dBm

Note 8: See Truth Table on page 3.



P.O. Box 350166, Brooklyn, New York 11235-0003 (718) 934-4500 Fax (718) 332-4661 For detailed performance specs & shopping online see Mini-Circuits web site



The Design Engineers Search Engine Provides ACTUAL Data Instantly From MINI-CIRCUITS At: www.minicircuits.com

RF/IF MICROWAVE COMPONENTS

The RF switch control bits select the desired switch-state, as shown in **Table 1**: Truth Table.

Table 1: Truth Table.

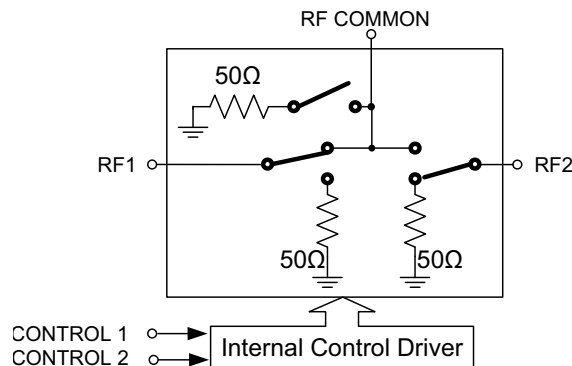
STATE	Control Input		RF Input / Output	
	Control 1	Control 2	RF1 to RF COMMON	RF2 to RF COMMON
1	Low	Low	OFF	OFF
2	Low	High	OFF	ON
3	High	Low	ON	OFF
4	High	High	N/A	N/A

General notes:

1. When either of the RF1 or RF2 ports is closed (**ON** state), the closed port is connected to the RF Common port.
2. When either of the RF1 or RF2 ports is open (**OFF** state), the open port is connected to an internal 50Ω termination.
3. When both RF1 and RF2 ports are open (**OFF** state), the all three RF ports are connected to an internal 50Ω termination.

EXAMPLE OF STATE 3

Functional Diagram



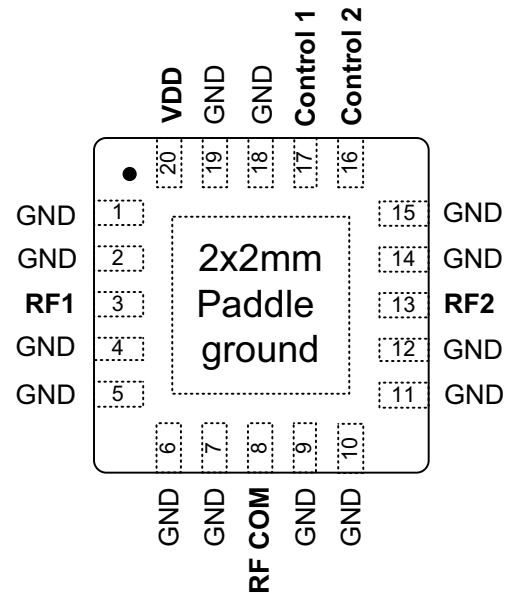
Pin Description

Function	Pin Number	Description
GND	1	RF Ground
GND	2	RF Ground
RF1	3	RF I/O (note 1)
GND	4	RF Ground
GND	5	RF Ground
GND	6	RF Ground
GND	7	RF Ground
RF COM	8	RF Common (note 1)
GND	9	RF Ground
GND	10	RF Ground
GND	11	RF Ground
GND	12	RF Ground
RF2	13	RF I/O (note 1)
GND	14	RF Ground
GND	15	RF Ground
Control 2	16	Control 2
Control 1	17	Control 1
GND	18	Supply Voltage Ground
GND	19	Digital Ground
VDD	20	Supply Voltage
GND	Paddle	RF Ground Pad (note 2)

Notes:

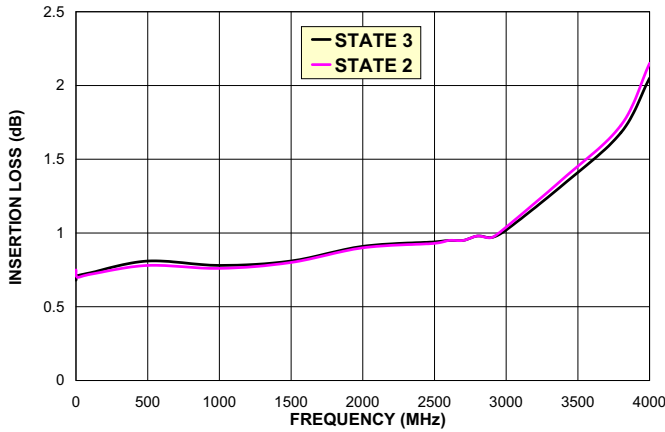
- RF pins 3, 8 and 13 must be at 0 VDC. The RF pins do not require DC blocking capacitors for proper operation if the 0 VDC requirement is met.
- The exposed solder pad on the bottom of the package (See Pin Configuration) must be grounded for proper device operation

Pin Configuration (Top View)

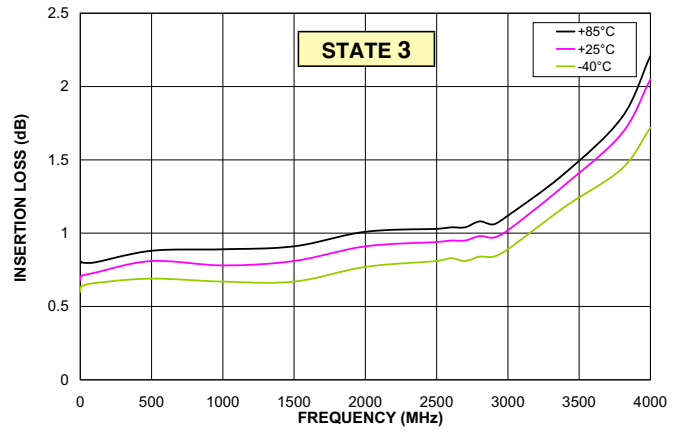


Typical Performance Curves over various states. For switch state see Truth Table 1 on page 3.

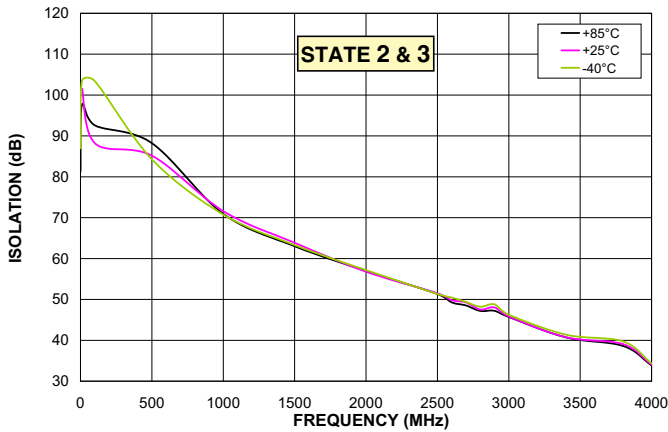
INSERTION LOSS Vs. FREQUENCY @ +25°C



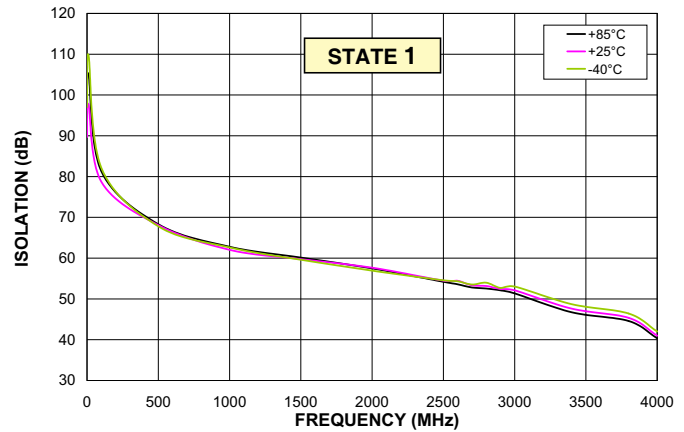
INSERTION LOSS Vs. FREQUENCY



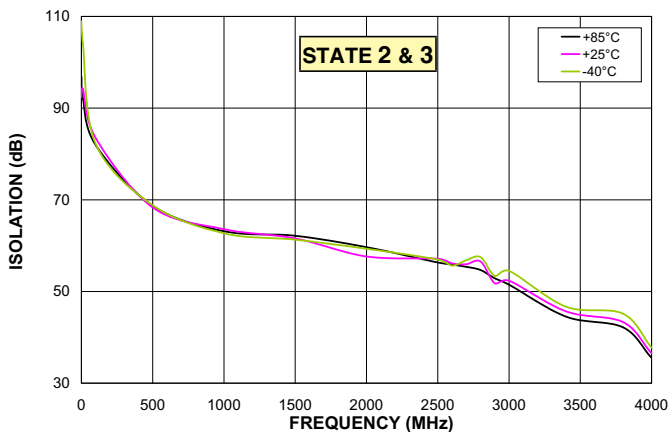
ISOLATION BETWEEN RF1/RF2 TO RF COM Vs. FREQUENCY



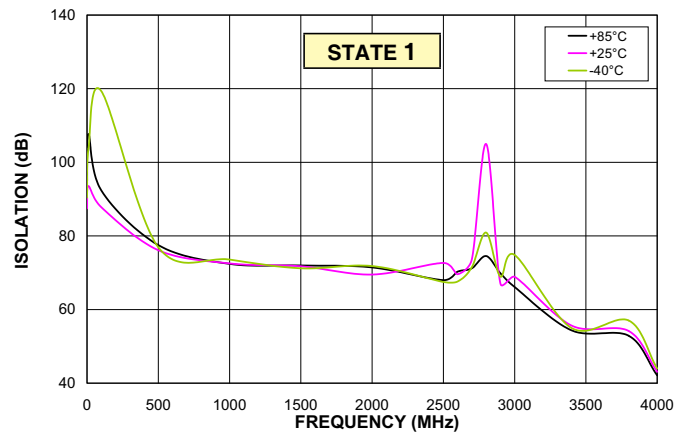
ISOLATION BETWEEN RF1/RF2 TO RF COM Vs. FREQUENCY



ISOLATION BETWEEN RF1 TO RF2 Vs. FREQUENCY



ISOLATION BETWEEN RF1 TO RF2 Vs. FREQUENCY

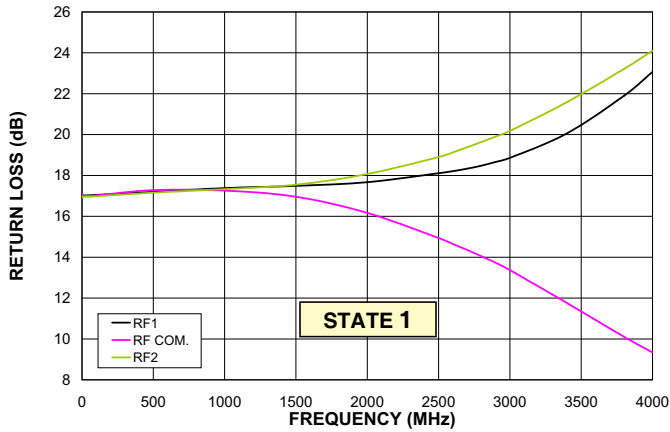


SPDT RF SWITCH

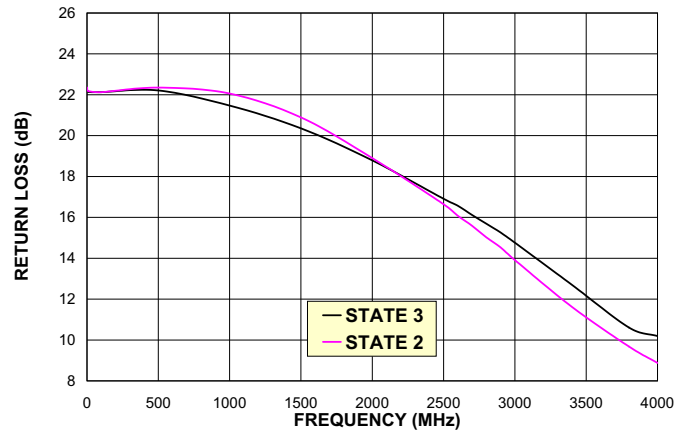
HSWA2-30DR+

Typical Performance Curves over various states. For switch state see Truth Table 1 on page 3.

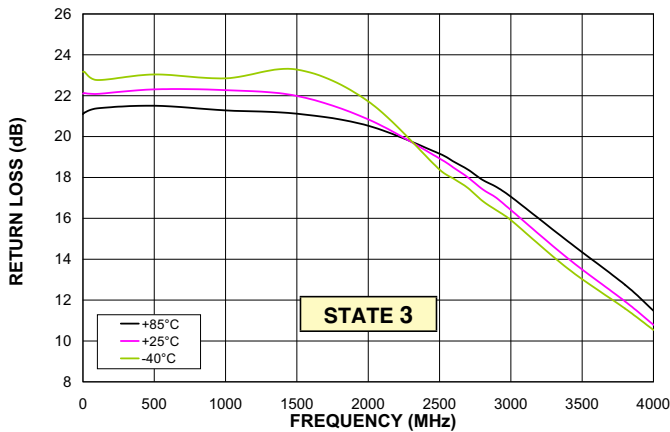
RF RETURN LOSS Vs. FREQUENCY @ +25°C



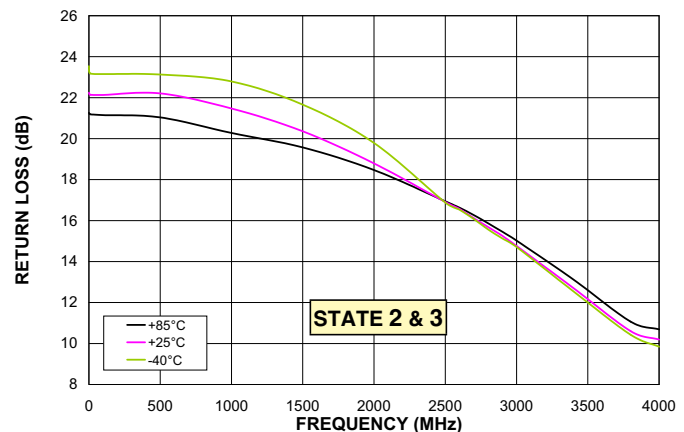
RF COM RETURN LOSS Vs. FREQUENCY @ +25°C



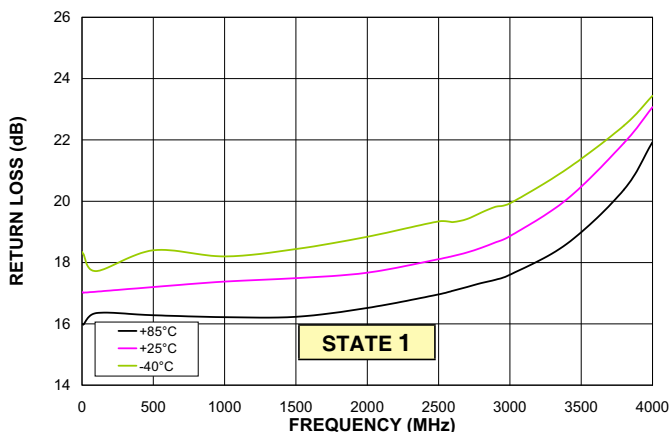
RF1 RETURN LOSS Vs. FREQUENCY



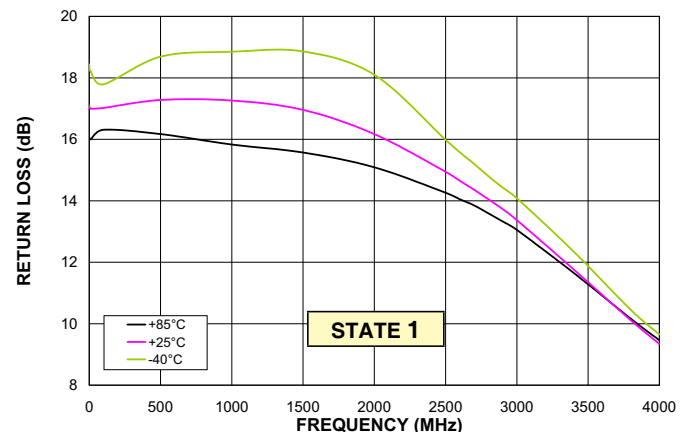
RF COM RETURN LOSS Vs. FREQUENCY



RF1 RETURN LOSS Vs. FREQUENCY



RF COM RETURN LOSS Vs. FREQUENCY



P.O. Box 350166, Brooklyn, New York 11235-0003 (718) 934-4500 Fax (718) 332-4661 For detailed performance specs & shopping online see Mini-Circuits web site

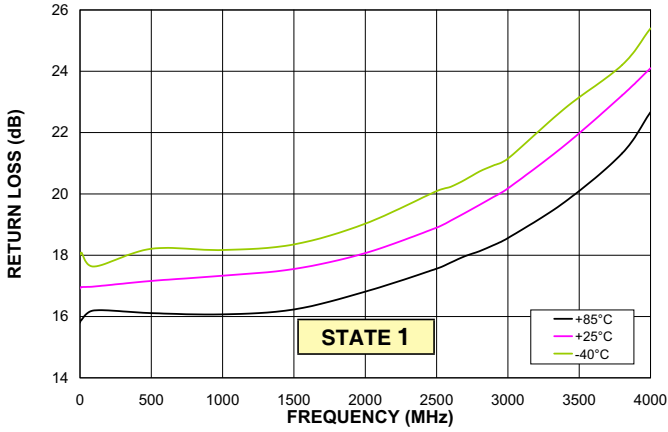


The Design Engineers Search Engine Provides ACTUAL Data Instantly From MINI-CIRCUITS At: www.minicircuits.com

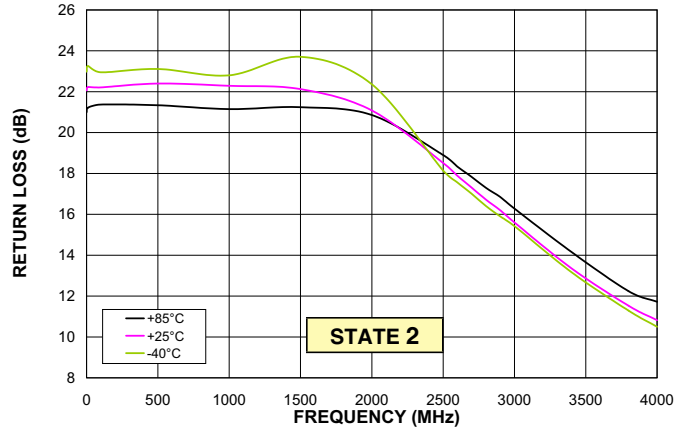
RF/IF MICROWAVE COMPONENTS

Typical Performance Curves over various states. For switch state see Truth Table 1 on page 3.

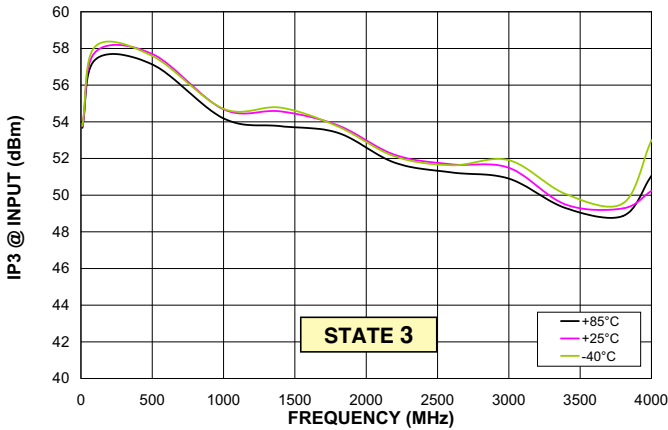
RF2 RETURN LOSS Vs. FREQUENCY



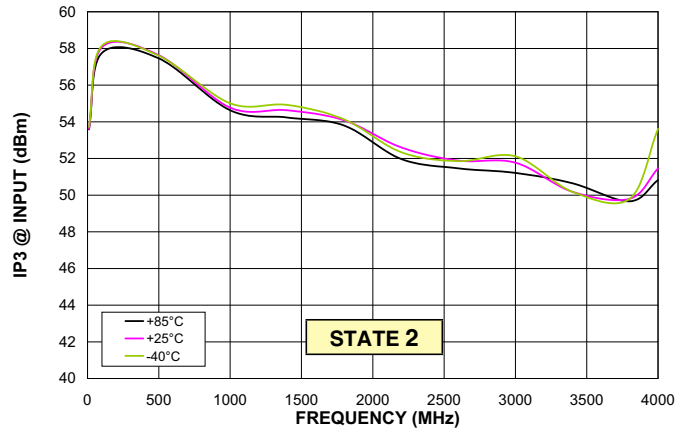
RF2 RETURN LOSS Vs. FREQUENCY



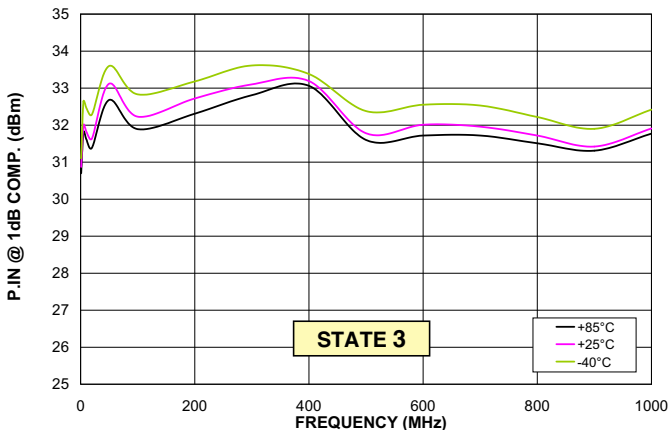
INPUT IP3 Vs. FREQUENCY



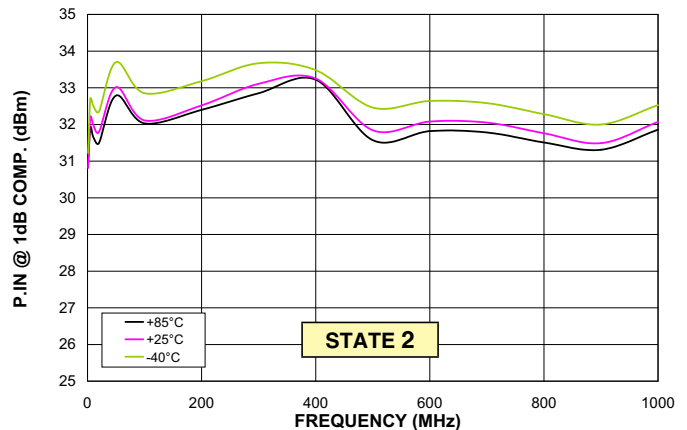
INPUT IP3 Vs. FREQUENCY



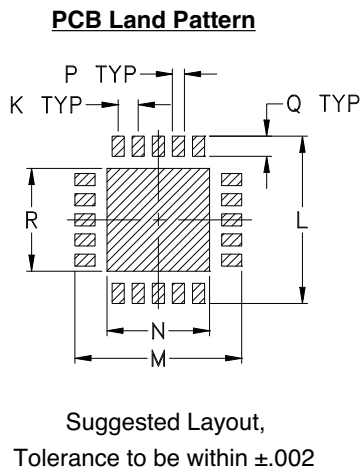
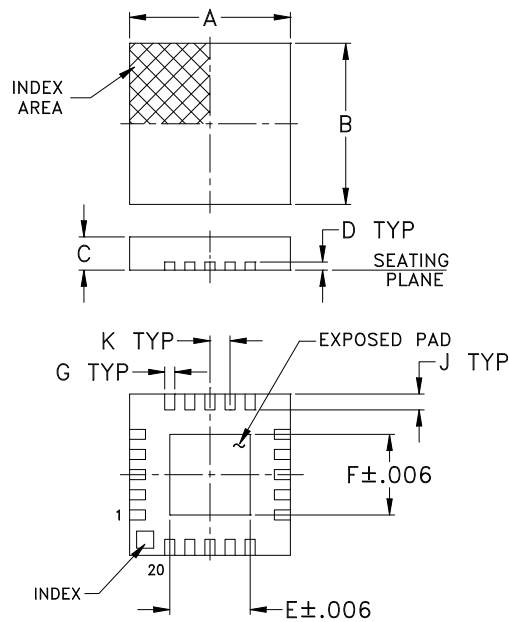
POWER IN @ 1dB COMPRESSION Vs. FREQUENCY



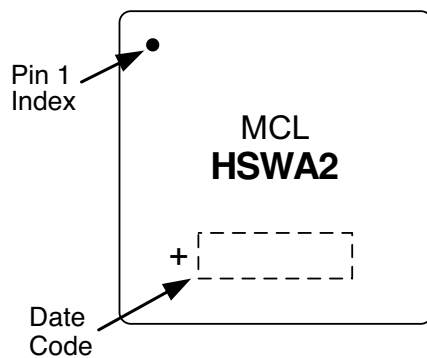
POWER IN @ 1dB COMPRESSION Vs. FREQUENCY



Outline Drawing (DG983-1)



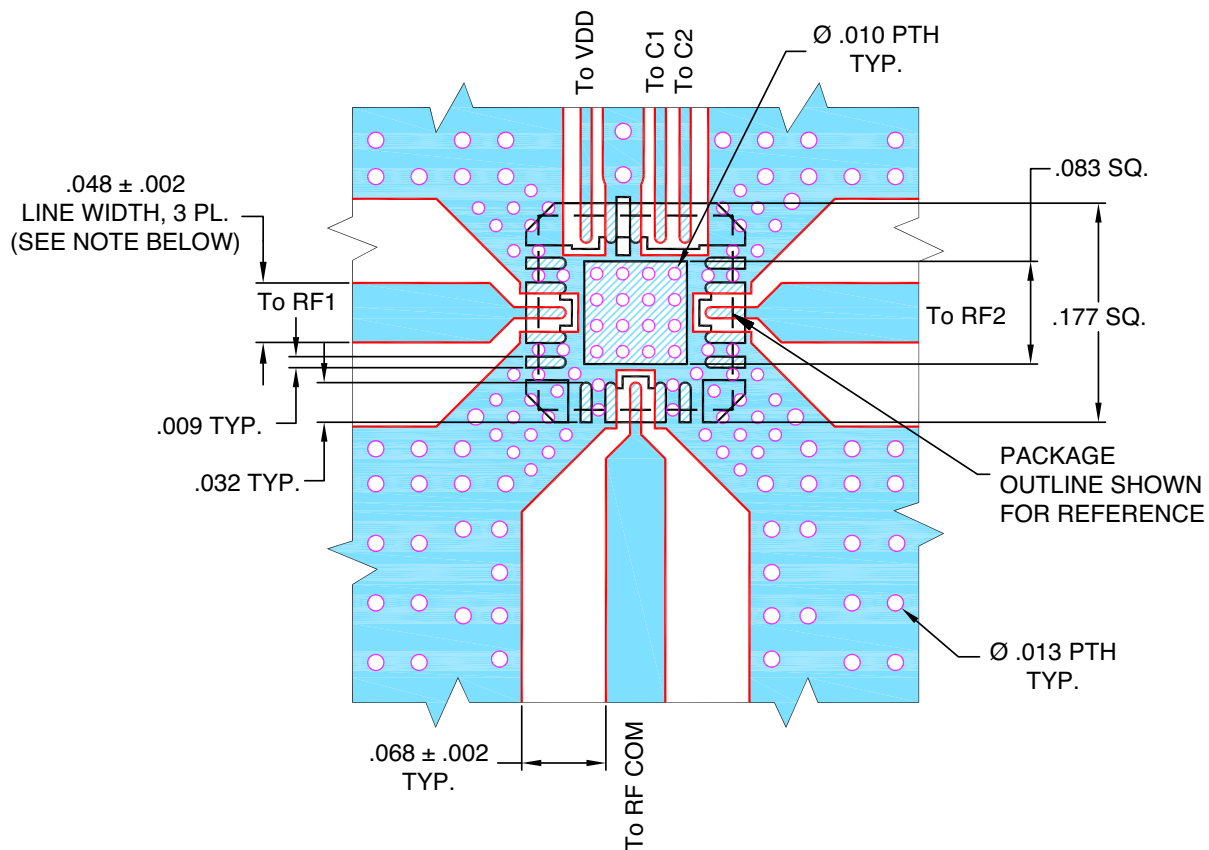
Device Marking



Outline Dimensions (inch/mm)

A	B	C	D	E	F	G	H	J	K	L	M	N	P	Q	R	WT. GRAMS
.157	.157	.035	.008	.081	.081	.010	—	.022	.020	.166	.166	.070	.012	.026	.070	.04
4.00	4.00	0.90	0.20	2.06	2.06	0.25	—	0.56	0.50	4.22	4.22	1.78	0.31	0.66	1.78	

Suggested Layout for PCB Design (PL-206)

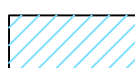


NOTES:

1. TRACE WIDTH IS SHOWN FOR FR4 WITH DIELECTRIC THICKNESS $.025'' \pm .002''$; COPPER: 1/2 OZ. EACH SIDE.
FOR OTHER MATERIALS TRACE WIDTH MAY NEED TO BE MODIFIED.
2. BOTTOM SIDE OF THE PCB IS CONTINUOUS GROUND PLANE.



DENOTES PCB COPPER LAYOUT WITH SMOBC (SOLDER MASK OVER BARE COPPER)

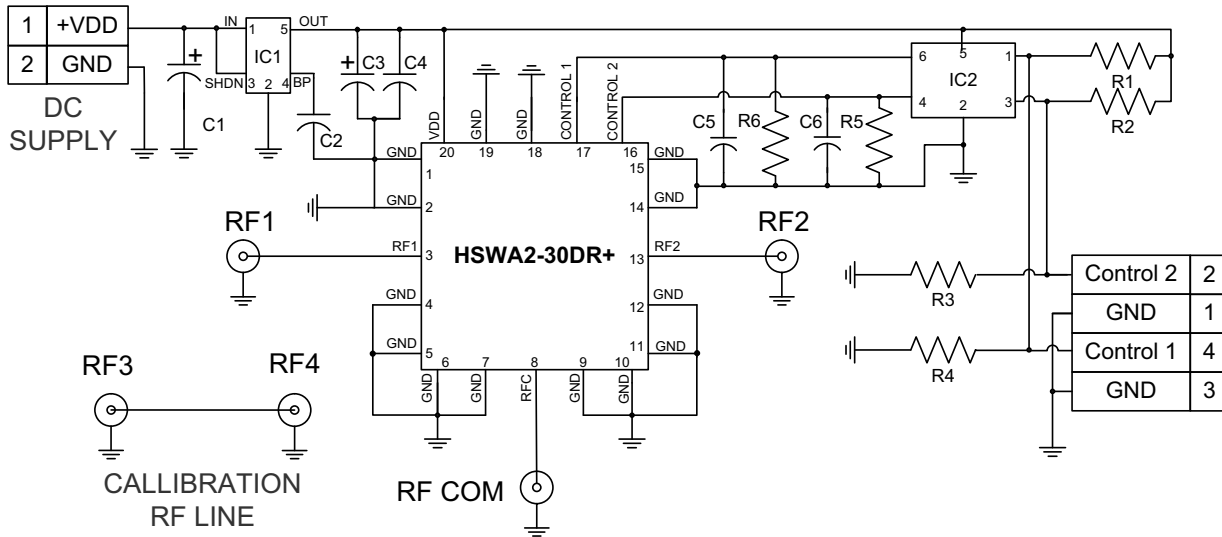


DENOTES COPPER LAND PATTERN FREE OF SOLDER MASK

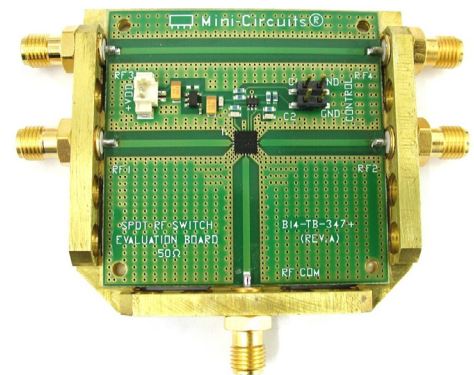
Recommended layout for PCB design

The amount of vias surrounding the device in the suggested PCB layout are critical for obtaining the specified isolation performance for the device shown in the datasheet.

TB-347 Evaluation Board Schematic Diagram



Bill of Material		
N#	DESCRIPTION	Qty
C1	CAPACITOR TANTALUM 1206 1 μ F	1
C2	CAPACITOR X7R 0402 0.01 μ F	1
C3	CAPACITOR TANTALUM 1206 3.3 μ F	3
C4, C5, C6	CAPACITOR 0603 NPO 100PF	2
R3, R4	RESISTOR 0603 10 MOHM	2
R1, R2	RESISTOR 0603 1 MOHM	2
R5, R6	RESISTOR 0603 10 KOHM	2
IC1	LDO VOLTAGE REGULATOR 3.3V MAX8878	1
IC2	DUAL NON-INVERTED SCHMITT TRIGGER SN74LVC2G17	1



TB-347

How to use evaluation Board TB-347

The Evaluation board TB-347 was designed to evaluate the electrical performance of the HSWA2-30DR+ SPDT switch.

RF3 and RF4 SMA 50 Ω connectors are connected through a 50 Ω transmission line that is used to estimate the evaluation board loss for de-embedding purposes. The transmission lines were designed using a coplanar waveguide with ground plane. For details, please see suggested PCB layout on Page 8. The number of vias surrounding the switch is critical for obtaining the specified isolation.

The TB-347 operates from +2.7V to +6.5V applied to VDD connector. IC1 voltage regulator limits the supply voltage to the switch to +3.3V. IC2 is a Schmitt trigger & buffer which prevents an overload of switch control inputs from high level control signals (up to +5.5V) and prevents from noise and transient spikes during switching process.

The control connector is used for computer control mode or manual operation mode. In manual control mode connect Control 1 and/or Control 2 to ground to set Control 1 and/or Control 2 to logic low, respectively. When jumpers are removed, the digital control input pulled up to VDD for logic high.

For computer control mode the software & cable are supplied. The cable should be connected between computer LPT port and evaluation board control connector.

Tape and Reel Packaging Information

Table T&R

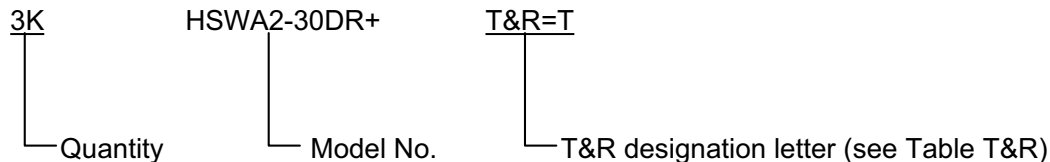
TR No.	No. of Devices	Designation Letter	Reel Size	Tape Width	Pitch	Unit Orientation
T-005	3000	T	13 inch	12 mm	8 mm	
	multiples of 10, less than full reel of 3K	PR	13 inch			
	multiples of 10, on tape only	E	not applicable			

Ordering Information

Model No.	Description	Packaging Designation Letter (See Table T&R)	Quantity Min. No. of Units	Price \$ Ea.
HSWA2-30DR+	SPDT RF Switch, Single Supply Voltage	E	10	\$2.95
HSWA2-30DR+TB	HSWA2-30DR+ mounted on test board, test data included	Not Applicable	1	\$99.95
TB-347	Test Board Only	Not Applicable	1	\$59.95

How to Order

Example: 3000 pieces of HSWA2-30DR+



P.O. Box 350166, Brooklyn, New York 11235-0003 (718) 934-4500 Fax (718) 332-4661 For detailed performance specs & shopping online see Mini-Circuits web site



The Design Engineers Search Engine Provides ACTUAL Data Instantly From MINI-CIRCUITS At: www.minicircuits.com

RF/IF MICROWAVE COMPONENTS