

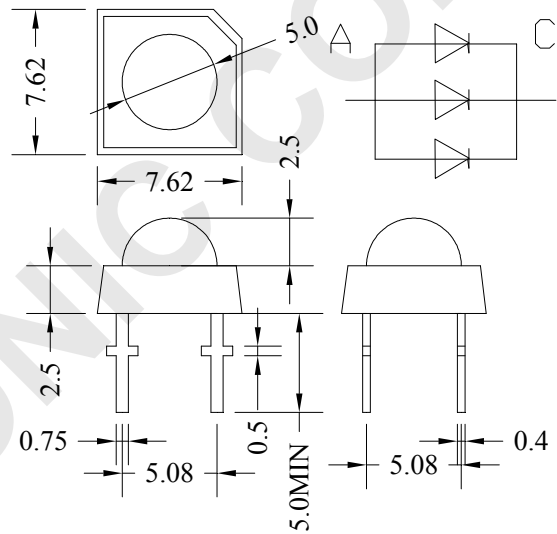
### Features

- ※ High intensity
- ※ Reliable and rugged
- ※ Low current requirement
- ※ IC compatible

### Description

The Blue Lamps are made  
With InGaN/Sapphire chip and Water  
clear epoxy resin

### Package Dimensions



Part NO.	LED chip		Lens Color
	Material	Emitting Color	
WEJS51BC-C76	InGaN/Sapphire	Blue	Water clear

### Notes:

1. All dimensions in mm tolerance is  $\pm 0.2\text{mm}$  unless otherwise noted.
2. An epoxy meniscus may extend about 1.5mm down the lead.
3. Burr around bottom of epoxy may be 0.5mm max.

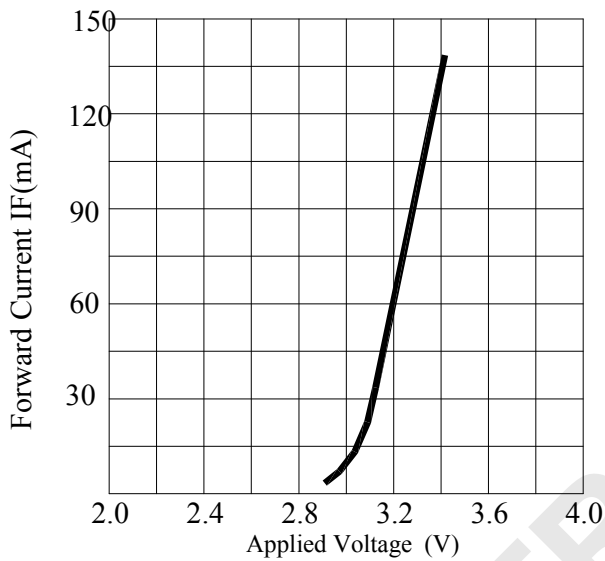
**Absolute Maximum Ratings(Ta=25°C)**

Parameter	Symbol	Rating	Unit
Power Dissipation	PD	120	mW
Forward Current (DC)	IF	30	mA
Peak Forward Current(Pulse width ≤0.1msec duty ≤1/10)	IFP	100	mA
Reverse Voltage	VR	5.0	V
Electro-Static-Discharge	ESD	200	V
Operation Temperature Range	Topr	-25to+85	°C
Storage Temperature Range	Tstg	-40to+100	°C
Lead Soldering Temperature(1.6mm from body) for 5 seconds		260	°C

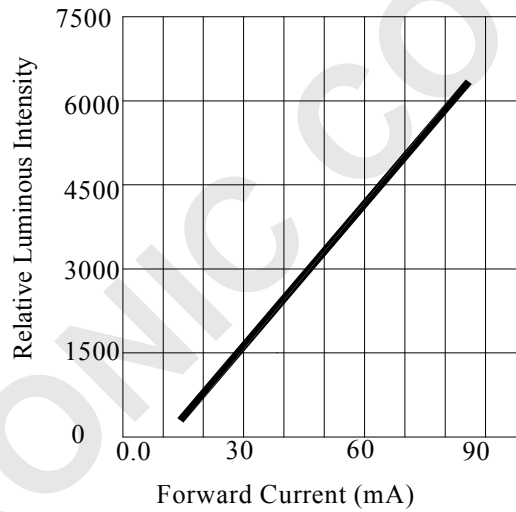
**Typical Electrical and Optical Characteristics(Ta=25°C)**

Parameter	Symbol	Condition	Min.	Typ.	Max.	Unit
Luminous Intensity	Iv	If=20mA	800	1600		mcd
Forward Voltage	Vf	If=20mA		3.2	3.8	v
Peak Wavelength	λ P	If=20mA		465		nm
Dominant Wavelength	λ D	If=20mA		468		nm
Reverse Current	Ir	Vr=5v			10	uA
Viewing Angle	2 θ 1/2	If=20mA		60		deg
Spectrum Line Half width	Δ λ	If=20mA		30		nm

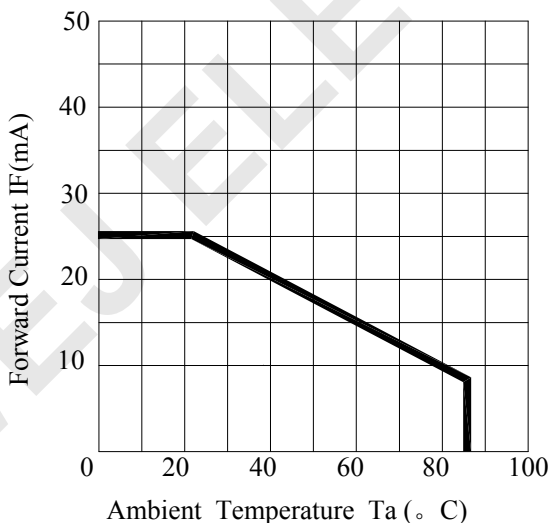
### Typical Electrical / Optical Characteristics Curves



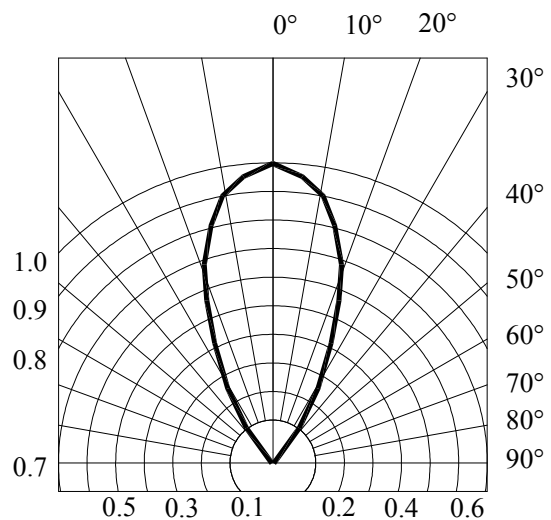
**FORWARD CURRENT VS.APPLIED VOLTAGE**



**FORWARD CURRENT VS. LUMINOUS INTENSITY**



**AMBIENT TEMPERA TURE VS.FORWARD CURRENT**



**RADIATION DIAGRAM**

**PART NO.: WEJS51BC-C76**

**Page:4/4**

5.0mm HIGH POWER BLUE LED LAMP

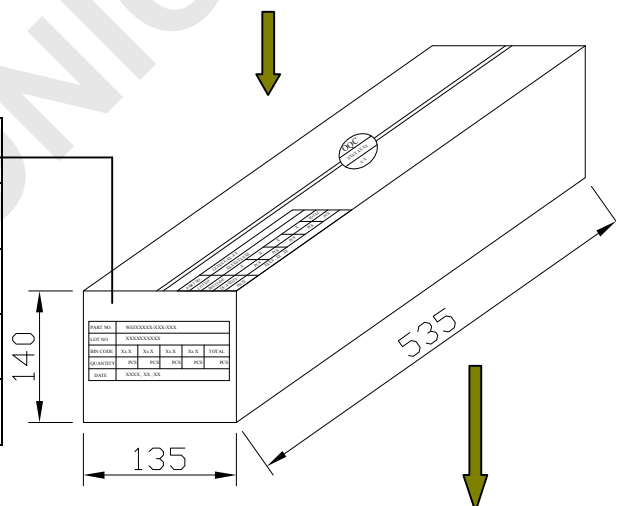
### ENCASED TYPE

**PLASTIC PACKAGE**  
**QUANTITY : 200 PCS**

YONG ER JIA ELECTRONIC CO.,LTD	
PART NO. : WEJS51BC-C76	
V f: ___ v	IV: ___ mcd
Wld: ___ nm	BIN: _____
Date: _____	QC: _____
Q'TY: ___ PCS	LOT NO: _____

**INNER BOX**  
**QUANTITY: 10 PACKETS**  
**TOTAL:2,000 PCS**

PART NO.	WEJS51BC-C76					
LOT NO.	XXXXXXXXXXXX					
BIN CODE	XX	XX	XX	XX	XX	TOTAL
QUANTITY	xxpcs	xxpcs	xxpcs	xxpcs	xxpcs	xxpcs
DATE	XXXX XX XX					



**OUTER CARTON**  
**QUANTITY: 4 BOX**  
**TOTAL:8,000 PCS**

C/T NO.	XX
PART NO.	WEJS51BC-C76
QUANTITY	Xxxxx pcs
N.W.	XX KGS
G.W	XX KGS
REMARK	

