


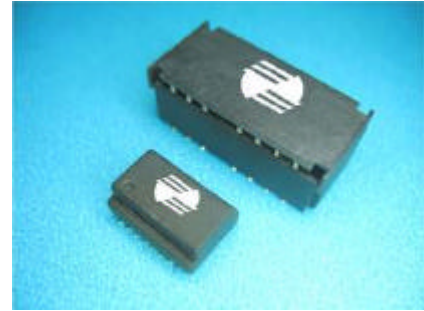


-  Compliant with IEEE802.3 standard including 350uH
OCL with 8mA DC Bias
-  Operating temperature 0°C to +70°C
-  RoHS compliant



ELECTRICAL SPECIFICATION @ 25°C

Part Number	PoE	Insertion Loss (dB Max)	Return Loss (dB Min)				DM-CMRR (dB Min)	CMRR (dB Min)	Crosstalk (dB Min)	Hipot (Vrms)
			.5-100MHz	.5-30MHz	30-45MHz	45-60MHz				
824-00420F ¹	No	1.1	18	16	14	12	30	30	35	1500
		.1-100MHz	.5-30MHz	40MHz	50MHz	60-80MHz	-	.1-100MHz	.1-100MHz	
824-00439F	Yes	1.2	16	14	13	12	-	33	33	1500
		.1-100MHz	.5-30MHz	40MHz	50MHz	60-80MHz	.1-100MHz	-	.1-100MHz	
824-C0069-1F	No	1.1	18	15.5	13.5	12	35	-	35	1500

ELECTRICAL SPECIFICATION @ 25°C

Part Number	PoE	Insertion Loss (dB Max)	Return Loss (dB Typ)				DM-CMRR (dB Typ)			Crosstalk (dB Typ)			Hipot (Vrms)
			.1-100MHz	1-30MHz	40MHz	50MHz	60-80MHz	32MHz	62MHz	100MHz	.1-100MHz		
824-00426R	No	1.0	16	14	13	12	42	37	33	38			1500
		.1-100MHz	30MHz	60MHz	80MHz	30MHz	50MHz	100MHz	30MHz	60MHz	100MHz		
824-00443F	No	1.1	20	14	11.5	42	37	33	45	40	35	1500	

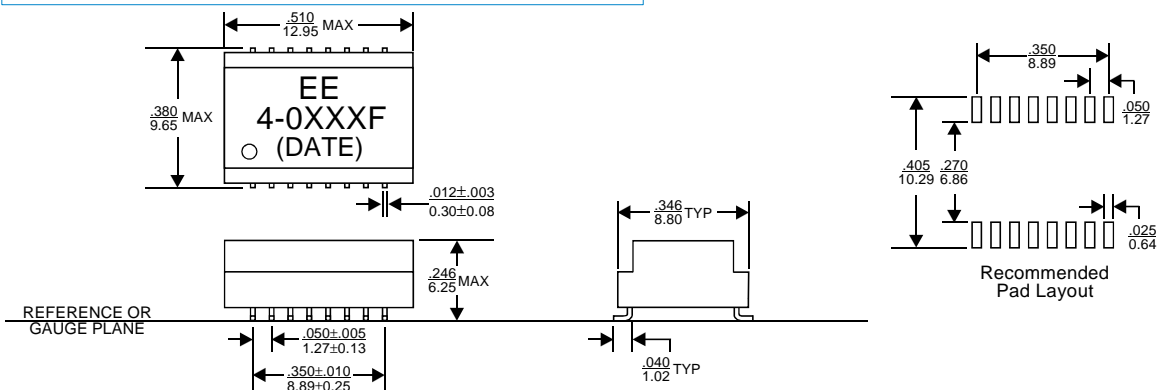
ELECTRICAL SPECIFICATION @ 25°C

Part Number	PoE	Insertion Loss (dB Max)	Return Loss (dB Min)				CMRR (dB Min)			Crosstalk (dB Min)	Hipot (Vrms)
			.1-100MHz	1-30MHz	40MHz	50MHz	60-80MHz	32MHz	62MHz		
824-00446R	No	1.0	16	14	13	12	42	37	33	38	1500

Notes: 1. Operating temperature range: -40°C to +85°C.

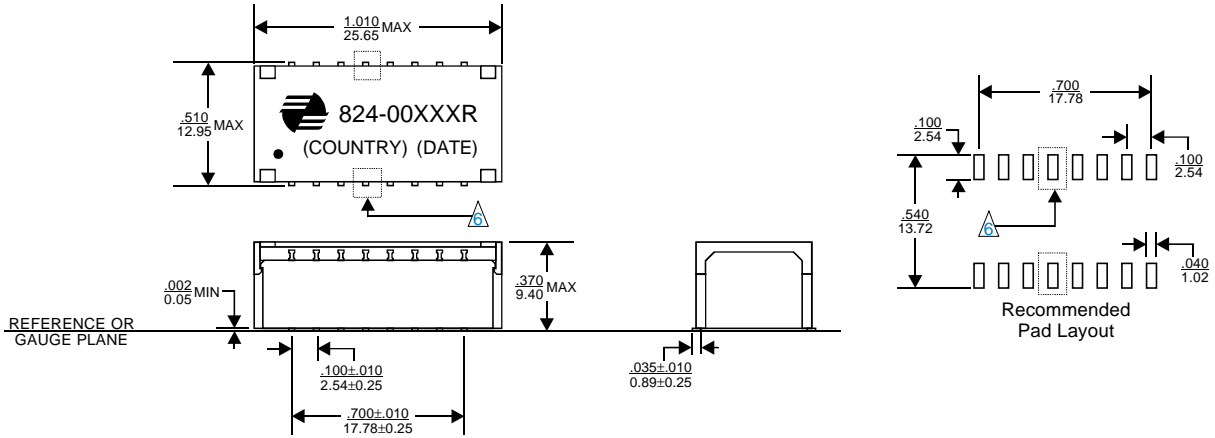
MECHANICAL DIMENSIONS

824-00420F/824-00439F/824-00443F/824-C0069-1F



MECHANICAL DIMENSIONS

824-00426R/824-00446R



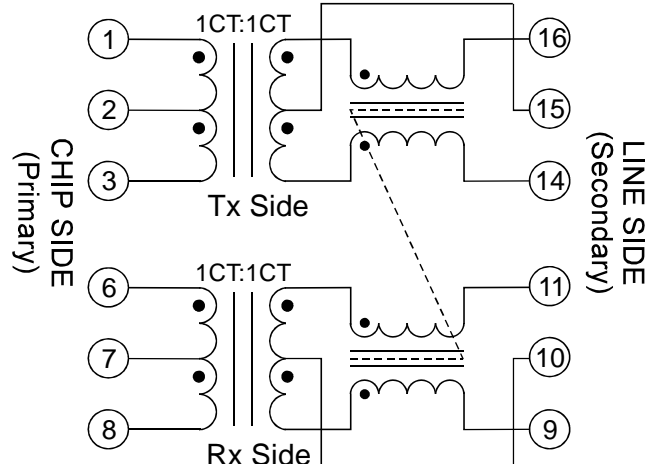
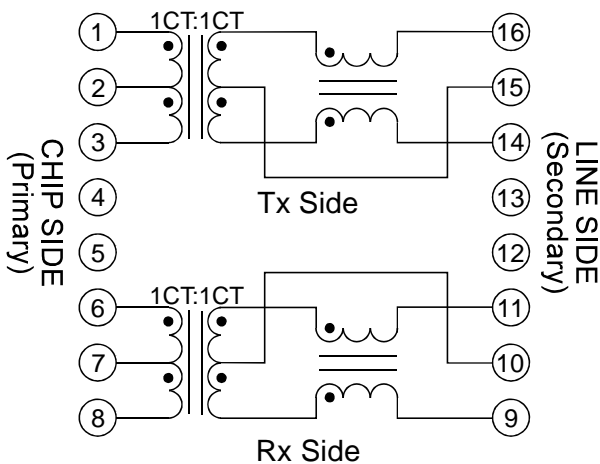
Notes:

2. Dimensions are specified in inches with higher precedence in inches.
mm
3. Unless otherwise specified, all tolerance are $\pm \frac{.010}{0.25}$.
4. Coplanarity: $\frac{.004}{0.10}$ max.
5. "(DATE)" includes at least the manufacturing date code(in YYWW format) plus two character country code.
6. For 824-00446R, Pin4 & Pin13 are removed.
7. When ordering, please add suffix "T" to the part number for tape & reel packaging (330mm reel).

SCHEMATICS

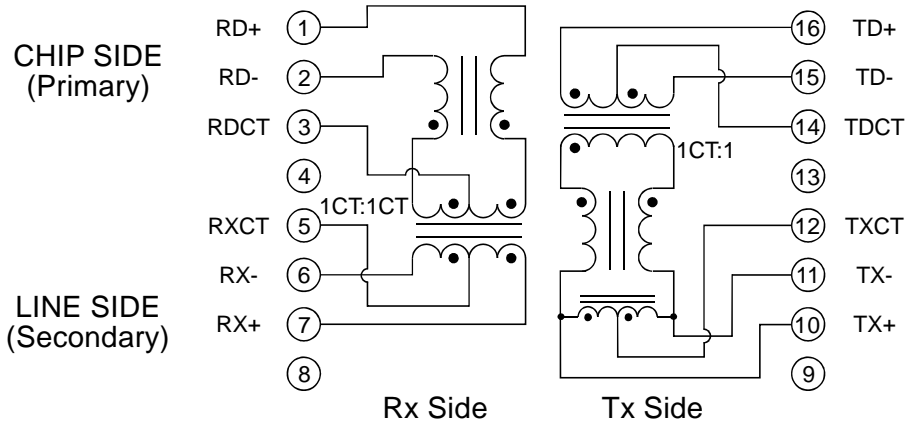
824-00420F/824-00443F/824-C0069-1F

824-00439F



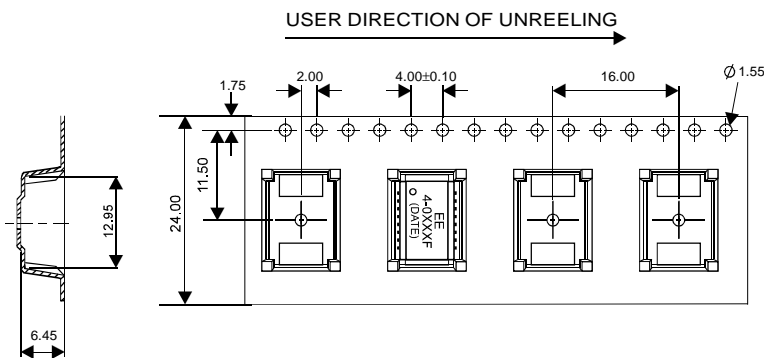
SCHEMATICS

824-00426R/824-00446R



PACKAGING

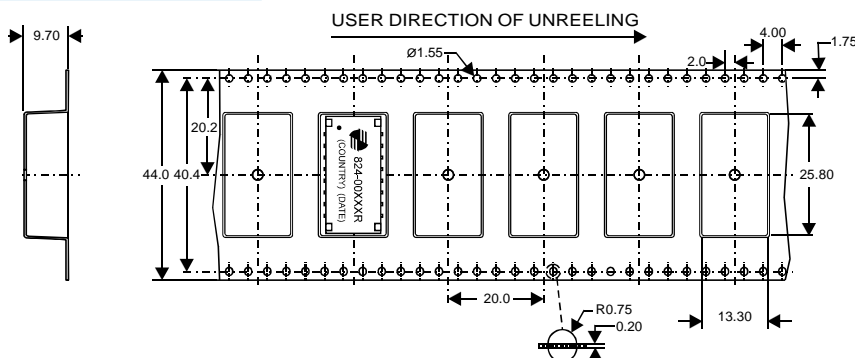
824-00420F/824-00439F/824-00443F/824-C0069-1F



Weight (in gram) : 0.7 typ.
Tape & Reel : 600 / reel

PACKAGING

824-00426R/824-00446R



Weight (in gram) : 2.0 typ.
Tape & Reel : 250 / reel

FOR MORE INFORMATION, PLEASE CONTACT

HEADQUARTER
1/F., Harbour View 1, No.12 Science Park East Avenue,
Phase II, Hong Kong Science Park, Shatin, N.T.
Hong Kong
Tel: (852) 2954 3333 Fax: (852) 2954 3304
Email: eempl@eleceltek.com
Website: <http://www.eleceltek.com> / www.eemagnetic.com

Information herein is for reference only and subject to change without notice. It does not constitute any representation, warranty or commitment of the company in respect of the products in any aspect. All logos, brands and product names mentioned herein are trademarks or registered trademarks of their respective owners. The company does not assume any liability arising out of the application or use of any product or circuit described herein. Copyrights 2009, E & E Magnetic Products Limited.

1/F., Harbour View 1, No.12 Science Park East Avenue, Phase II, Hong Kong Science Park, Shatin, N.T. Hong Kong
Tel: (852) 2954 3333 • Fax: (852) 2954 3304