

PLEASE CHECK WWW.MOLEX.COM FOR LATEST PART INFORMATION

Part Number: [130060023](#)
Status: **Active**
Overview: [minichange_products](#)
Description: Mini-Change® MPIS, 3 Pole Female, 4 Ports, with 7 Pole Male Connector, with LEDs

Documents:

[Drawing \(PDF\)](#) [RoHS Certificate of Compliance \(PDF\)](#)

Agency Certification

CSA LR6837
 UL E46237

General

Product Family Passive Distribution Boxes
 Series [130060](#)
 IP Rating IP67
 NEMA Rating NEMA 6
 Overview [minichange_products](#)
 Product Name Mini-Change®

Physical

Bus I/O Mini-Change®
 Cable Connector Orientation Straight
 Cable Length N/A
 Home Run Cable Length N/A
 Home Run Connector Mini-Change® - 7 pole
 Home Run Interface N/A
 Keyway Single
 LED Indicator Yes
 Material - Cable Jacket N/A
 Material - Housing PBT
 Material - Metal Copper Alloy
 Material - Plating Mating Gold over Nickel
 Orientation Side Mount
 Poles 3
 Poles (wired) 3
 Ports 4
 Temperature Range - Operating -25°C to +90°C
 Wiring Configuration Single I/O per Port

Electrical

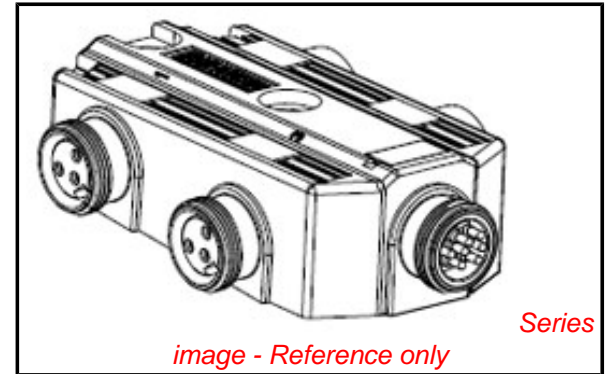
Current - Maximum per Contact 7A
 Functional Wiring Parallel
 Voltage - Maximum 600V AC/DC

Material Info

Old Part Number 410P401

Reference - Drawing Numbers

Sales Drawing SD-130060-005



EU RoHS

Not RoHS Compliant
REACH SVHC
Not Reviewed
Halogen-Free
Status
Not Reviewed

China RoHS



Need more information on product environmental compliance?

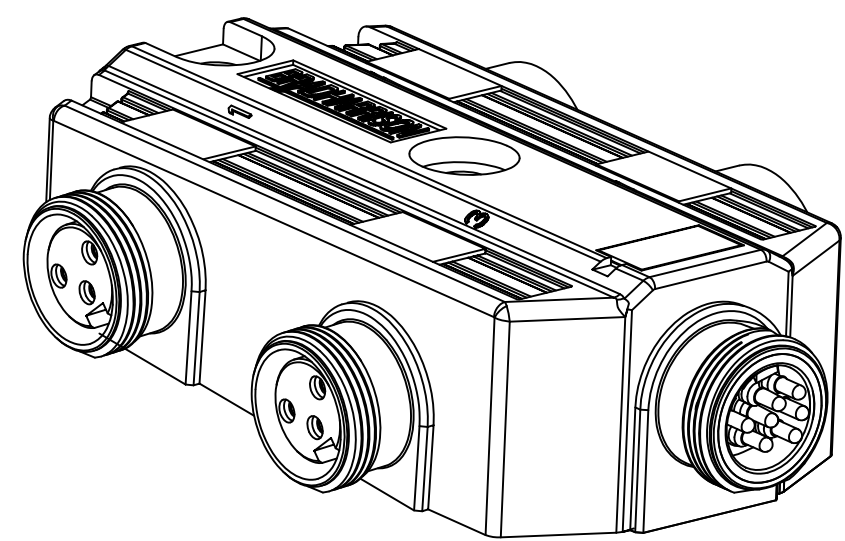
Email productcompliance@molex.com
 For a multiple part number RoHS Certificate of Compliance, [click here](#)

Please visit the [Contact Us](#) section for any non-product compliance questions.

Search Parts in this Series

[130060Series](#)

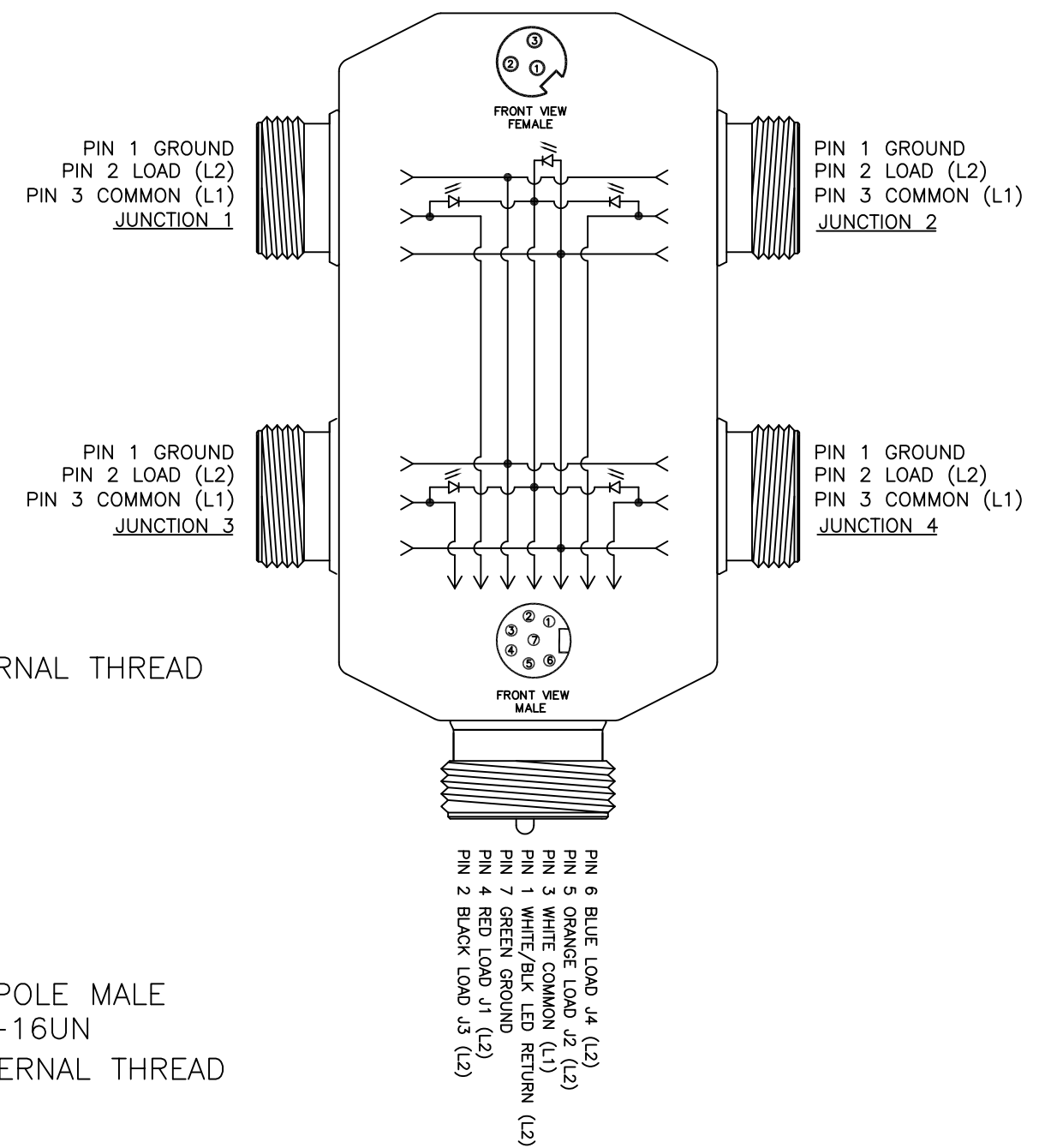
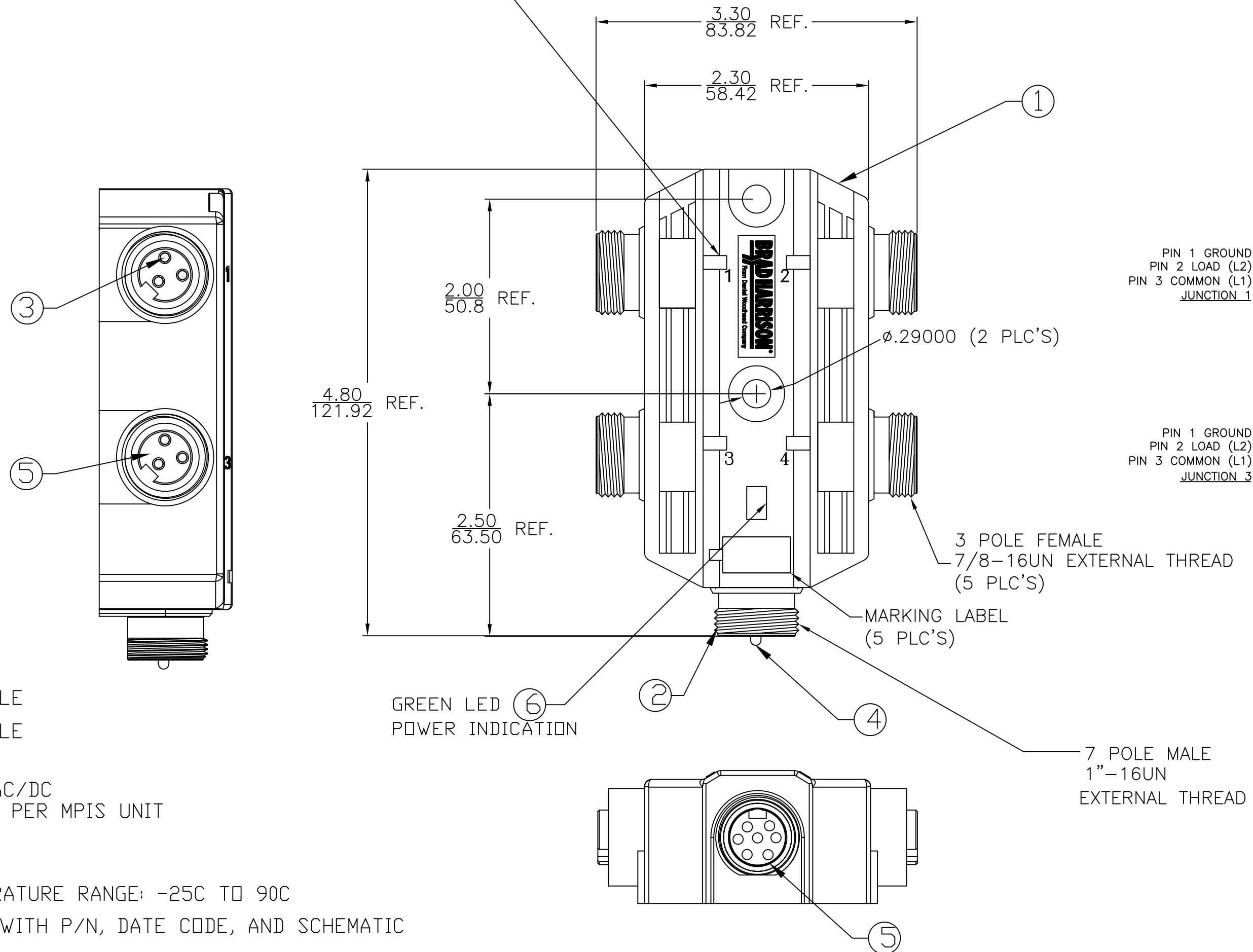
MATERIAL NUMBER	ENGINEERING NUMBER
1300600023	410P401



YELLOW LED (6)
OUTPUT INDICATION

DIMENSIONAL

SCHEMATIC



- NOTES:
- 1) MATERIAL: SEE TABLE
 - 2) FINISHES: SEE TABLE
 - 3) ELECTRICAL DATA:
VOLTAGE: 600V AC/DC
AMPERAGE: 7AMPS PER MPIS UNIT
 - 4) ENVIRONMENTAL:
PROTECTION IP67
OPERATING TEMPERATURE RANGE: -25C TO 90C
 - 5) LABEL IS MARKED WITH P/N, DATE CODE, AND SCHEMATIC
 - 6) CERTIFICATION:
UL: UL RECOGNIZED
CSA: CSA CERTIFIED

ITEM	QTY.	DESCRIPTION	MATERIAL	FINISH
6	5	LENS	POLYCARBONATE, LEXAN 141R112	CLEAR
5	5	INSERT	PVC	YELLOW
4	7	PIN CONTACT	COPPER ALLOY	GOLD PLATED
3	12	SOCKET CONTACT	COPPER ALLOY	GOLD PLATED
2	5	RECEPTACLE SHELL	E-COATED ZINC ALLOY	BLACK
1	1	HOUSING	PBT	YELLOW

RELEASE EC NO: WNA2010-0456 DRWN: TWOLDEGE 2010/01/22 CH'KD: BWOODMAN APPR: JFMURPHY 2010/01/29	QUALITY SYMBOL	GENERAL TOLERANCES (UNLESS SPECIFIED)		DIMENSION STYLE		SCALE	DESIGN UNITS	THIRD ANGLE PROJECTION	
	▽=0	4 PLACES	mm	INCH	DRAWN BY	DATE	TITLE	4PORT S. MOUNT MPIS LED 4PORT 3-POLE FEMALE W/ 7P MALE HOME RUN CONN.	
	∇=0	3 PLACES	±---	±---	CHECKED BY	DATE	MOLEX MOLEX INCORPORATED		
		2 PLACES	±0.13	±0.10	APPROVED BY	DATE		DOCUMENT NO.	SHEET NO.
	1 PLACE	±0.25	±0.20	JFMURPHY	2010/01/29	SD-130060-005	1 OF 1		
		ANGULAR ±1/2°		MATERIAL NO.		THIS DRAWING CONTAINS INFORMATION THAT IS PROPRIETARY TO MOLEX INCORPORATED AND SHOULD NOT BE USED WITHOUT WRITTEN PERMISSION			
		DRAFT WHERE APPLICABLE MUST REMAIN WITHIN DIMENSIONS		SEE CHART					