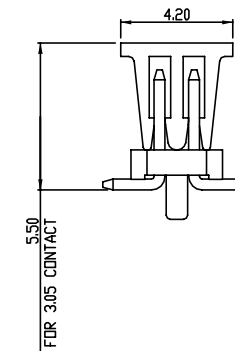
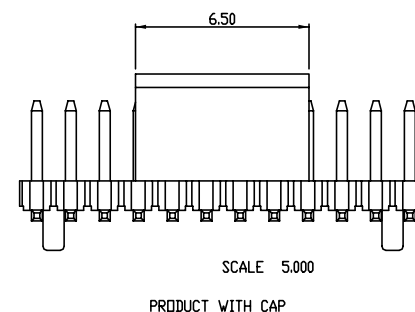
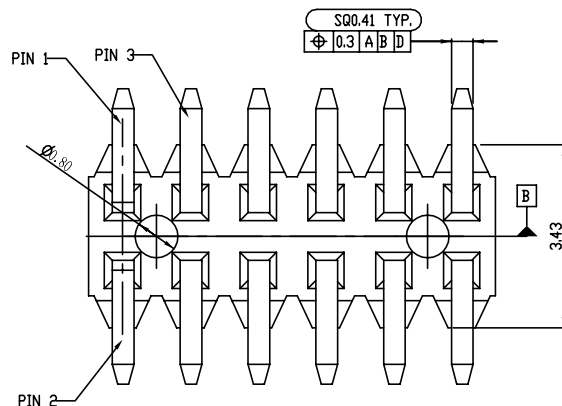
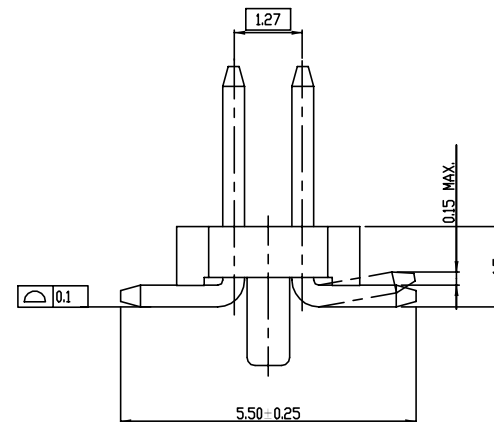
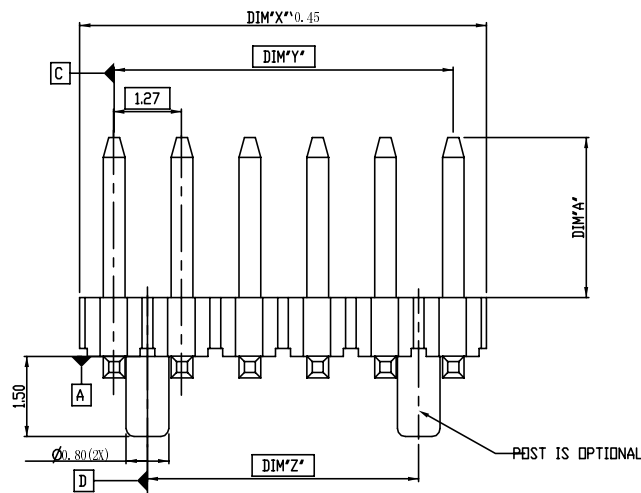


PART NO.
20021121



NOTES:

- 1.MATERIAL:
HOUSING: HIGH TEMPERATURE THERMOPLASTIC, UL94-V0 BLACK.
TERMINAL: COPPER ALLOY
- 2.THE HOUSING WILL WITHSTAND EXPOSURE TO 260-C PEAK TEMPERATURE FOR 10 SECONDS IN A CONVECTION INFRA-RED OR VAPOR PHASE REFLOW OVEN.
- 3.THIS PRODUCT MEETS EUROPEAN UNION DIRECTIVES AND OTHER COUNTRY REGULATIONS AS DESCRIBED IN GS-22-008.
- 4.PRODUCT SPEC: GS-12-629
- 5.PACKAGE SPEC: GS-14-1420

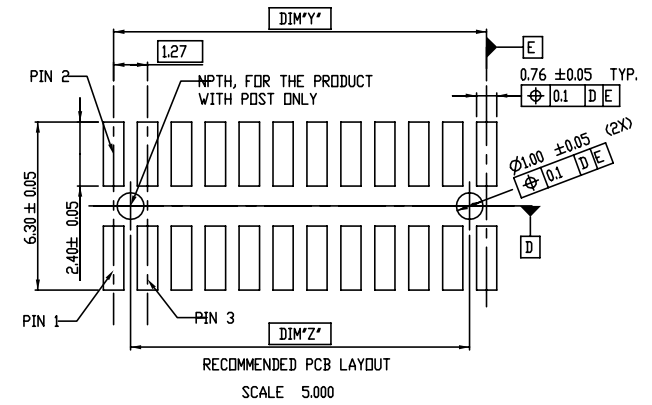
spec ref		dr	ZK HU	2012-8-1	projection	MM	size	A3	scale	10.000		
tolerance std		eng	ZK HU	2012-8-1			ecn no ELX-N-14370	rel level	RELEASED			
ISO 1101		chr		RICK BIAN	2012-8-1	TOLERANCES UNLESS OTHERWISE SPECIFIED						
ISO 406		appr		RICK BIAN	2012-8-1	product family						
surface	linear	0.X	± 0.30		FCI	title	MINITEK 127 UBSHROUDED HDR		dwg no	20021121	rev	J
		0.XX	± 0.20									
0.XXX	± 0.10											
ISO 1101	angular	2~	± 2°		www.fci.com cat. no.		Product - Customer Drw		sheet 1 of 2			



Copyright FCI.

PART NO.	POS.	DIM'X'	DIM'Y'	DIM'Z'
20021121-X0X06XXLF	2 X 3	3.81	2.54	1.27
20021121-X0X08XXLF	2 X 4	5.08	3.81	2.54
20021121-X0X10XXLF	2 X 5	6.35	5.08	3.81
20021121-X0X12XXLF	2 X 6	7.62	6.35	5.08
20021121-X0X14XXLF	2 X 7	8.89	7.62	6.35
20021121-X0X16XXLF	2 X 8	10.16	8.89	7.62
20021121-X0X18XXLF	2 X 9	11.43	10.16	8.89
20021121-X0X20XXLF	2 X 10	12.70	11.43	10.16
20021121-X0X22XXLF	2 X 11	13.97	12.70	11.43
20021121-X0X24XXLF	2 X 12	15.24	13.97	12.70
20021121-X0X26XXLF	2 X 13	16.51	15.24	13.97
20021121-X0X28XXLF	2 X 14	17.78	16.51	15.24
20021121-X0X30XXLF	2 X 15	19.05	17.78	16.51
20021121-X0X32XXLF	2 X 16	20.32	19.05	17.78
20021121-X0X34XXLF	2 X 17	21.59	20.32	19.05
20021121-X0X36XXLF	2 X 18	22.86	21.59	20.32
20021121-X0X38XXLF	2 X 19	24.13	22.86	21.59
20021121-X0X40XXLF	2 X 20	25.40	24.13	22.86
20021121-X0X42XXLF	2 X 21	26.67	25.40	24.13
20021121-X0X44XXLF	2 X 22	27.94	26.67	25.40
20021121-X0X46XXLF	2 X 23	29.21	27.94	26.67
20021121-X0X48XXLF	2 X 24	30.48	29.21	27.94
20021121-X0X50XXLF	2 X 25	31.75	30.48	29.21
20021121-X0X52XXLF	2 X 26	33.02	31.75	30.48
20021121-X0X54XXLF	2 X 27	34.29	33.02	31.75
20021121-X0X56XXLF	2 X 28	35.56	34.29	33.02
20021121-X0X58XXLF	2 X 29	36.83	35.56	34.29
20021121-X0X60XXLF	2 X 30	38.10	36.83	35.56
20021121-X0X62XXLF	2 X 31	39.37	38.10	36.83
20021121-X0X64XXLF	2 X 32	40.64	39.37	38.10
20021121-X0X66XXLF	2 X 33	41.91	40.64	39.37
20021121-X0X68XXLF	2 X 34	43.18	41.91	40.64
20021121-X0X70XXLF	2 X 35	44.45	43.18	41.91
20021121-X0X72XXLF	2 X 36	45.72	44.45	43.18
20021121-X0X74XXLF	2 X 37	46.99	45.72	44.45
20021121-X0X76XXLF	2 X 38	48.26	46.99	45.72
20021121-X0X78XXLF	2 X 39	49.53	48.26	46.99
20021121-X0X80XXLF	2 X 40	50.80	49.53	48.26
20021121-X0X82XXLF	2 X 41	52.07	50.80	49.53
20021121-X0X84XXLF	2 X 42	53.34	52.07	50.80
20021121-X0X86XXLF	2 X 43	54.61	53.34	52.07
20021121-X0X88XXLF	2 X 44	55.88	54.61	53.34
20021121-X0X90XXLF	2 X 45	57.15	55.88	54.61

PART NO.	POS.	DIM'X'	DIM'Y'	DIM'Z'
20021121-X0X92XXLF	2 X 46	58.42	57.15	55.88
20021121-X0X94XXLF	2 X 47	59.69	58.42	57.15
20021121-X0X96XXLF	2 X 48	60.96	59.69	58.42
20021121-X0X98XXLF	2 X 49	62.23	60.96	59.69
20021121-X0XA0XXLF	2 X 50	63.50	62.23	60.96



20021121-X X X XX X X LF

- LEAD FREE
- PLATING ON CONTACT AREA
 - 1: GOLD FLASH AT CONTACT, 1.27um MIN. MATTE TIN AT TAIL
 - 2: GOLD FLASH AT CONTACT, GOLD FLASH AT TAIL
 - 4: 0.25um Au MIN. AT CONTACT, 1.27um MIN.MATTE TIN AT TAIL
 - 5: 0.25um Au MIN. AT CONTACT, GOLD FLASH AT TAIL
 - 6: 0.38um GXT MIN. AT CONTACT, 1.27um MIN.MATTE TIN AT TAIL
 - 7: 0.38um GXT MIN. AT CONTACT, GOLD FLASH AT TAIL
 - 8: 0.76um GXT MIN. AT CONTACT, 1.27um MIN.MATTE TIN AT TAIL
 - 9: 0.76um GXT MIN. AT CONTACT, GOLD FLASH AT TAIL
- PACKING STYLE
 - T: TUBE
 - D: TUBE + CAP
 - C: TAPE & REEL + CAP
- PIN NO. SEE TABLE
- MATING LENGTH(DIM'A')
 - 0: 3.05MM
- RESERVE CODE
 - 0: STANDARD
- POST OPTION
 - 0: WITHOUT POST
 - 1: WITH POST



Copyright FCI.

spec ref	dr	ZK HU	2012-8-1	projection	MM	size	A3	scale	5.000
tolerance std	eng	ZK HU	2012-8-1			ecn no	ELX-N-14370	rel level	RELEASED
ISD 1101	chr	RICK BIAN	2012-8-1						
ISD 406	appr	RICK BIAN	2012-8-1						
surface	linear		MINITEK 127 UBSHROUDED HDR VT SMT			dwg no 20021121	rev J		
ISD 1101			0X	±0.30					
			0XX	±0.20					
	angular	0~	±2'	www.fci.com	cat. no.	Product - Customer Drw		sheet 2 of 2	