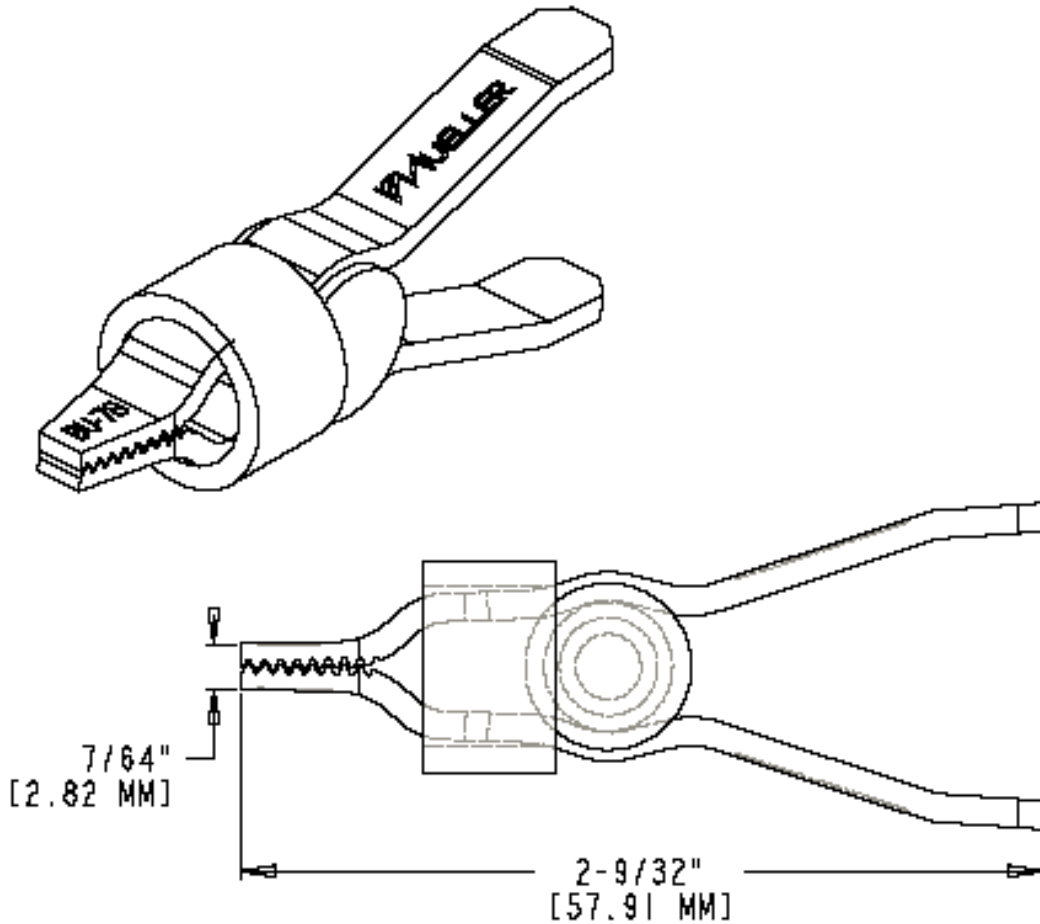




Part Number: BU-78K
Description: Kelvin Clip
3707



- Kelvin Clip
- Features a current path for the source and a circuit path for the sense
- Jaw opens 0.47" (12 mm) max
- Material: Gold contacts
- Length: 2.28" (57.91 mm)
- Rating: 10 Amps
- RoHS Compliant