

## 60/40 Amp Automotive Plug-In / PCB Power Relay

## PC792H



### FEATURES

- Most popular automotive relay
- 1 A and 1 C contact forms available
- Contact switching capacity up to 120 Amps
- 60 Amps continuous carrying capacity
- Up to 125 degrees C operating temperature
- Five different case styles available
- Sockets available from Picker Components

### CONTACT RATINGS

Contact Form	1 Form A or 1 Form C	
	Normally Open	Normally Closed
Max Switching Current	Make 120 Amps	Make 45 Amps
	Break 60 Amps	Break 40 Amps
Max. Switching Voltage	Current Dependent; see curve page 2	
Max. Continuous Current	60 Amps	40 Amps
Minimum Load	0.5 A @ 12 VDC	

### CONTACT DATA

Material		AgCdO (Silver Cadmium Oxide)
Initial Contact Resistance		100 milliohms max @ 0.1A, 6VDC
Service Life	Mechanical	1 X 10 <sup>7</sup> Operations
	Electrical	2 X 10 <sup>5</sup> Operations

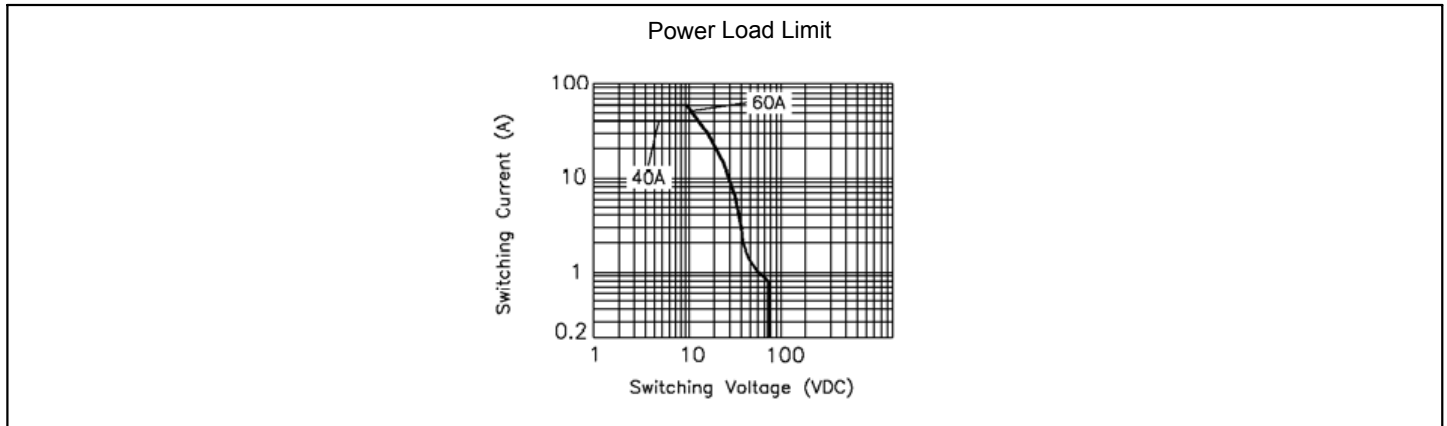
### CHARACTERISTICS

Operate Time	7 ms. typical
Release Time	2 ms. typical
Insulation Resistance	100 megohms min, at 500VDC, 50%RH
Dielectric Strength	500 Vrms, 1 min. between coil and contacts
Shock Resistance	20 g, 11ms, functional; 200 g, destructive
Vibration Resistance	DA 1.27 mm, 10 - 40 Hz; 40-70 Hz: 5 g; DA 0.5mm, 70-100 Hz; 100-500 Hz: 10 g.
Drop Resistance	1 Meter height drop on concrete in final enclosure
Power Consumption	1.6 W approx.
Ambient Temperature Range	-40 to 125 degrees C operating, -40 to 155 storage
Weight	35 grams approx.

### ORDERING INFORMATION

Example:	PC792H	-1C	-C1	-12	S	-RN
Model						
Contact Form	1A, 1C or 1U (1 form A with 2 #87 Terminals)					
Case Style	C: Plug-In; P: PCB; C1: Plastic Bracket; C3: Shrouded W/Metal Bkt					
Coil Voltage						
Enclosure	C: Dust Cover, S: Sealed Case					
Parallel Component	Nil: None; D: Diode; R: Resistor; N: Nickle Plated Terminals					

REFERENCE CURVE



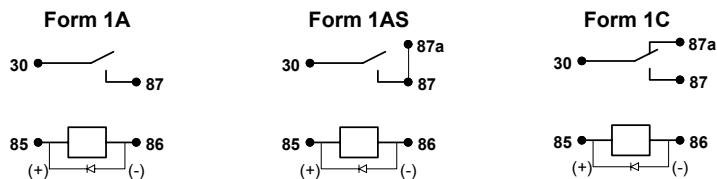
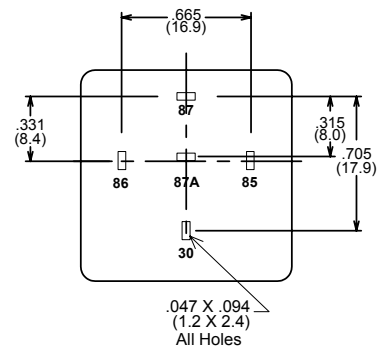
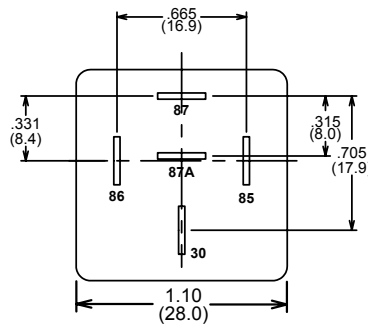
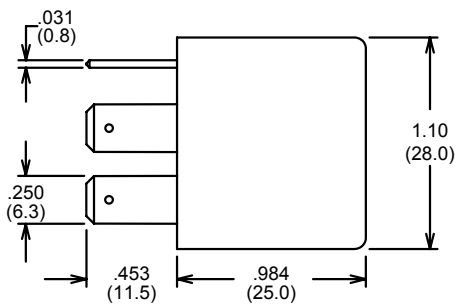
COIL DATA

Coil Voltage	Resistance ohms $\pm 10\%$	Must Operate Voltage Max. (VDC)	Must Release Voltage Min. (VDC)	Continuous Voltage Max. (VDC)
6	22	3.6	0.6	10.1
12	90	7.2	1.2	20.5
24	330	14.3	2.4	39.1

Plug-In Type  
Plug-In Case (C) and PCB Case (P)

Dimensions in Inches (millimeters)

Bottom View  
PC Board Layout



Wiring Diagrams

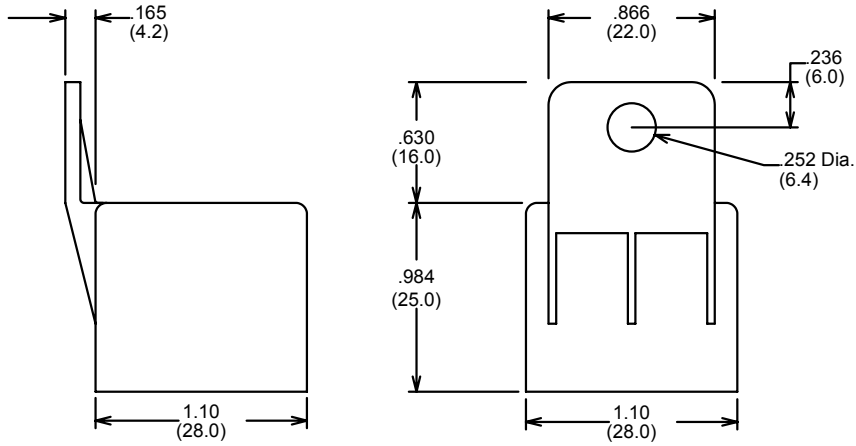
Notes:

Tolerances  $\pm .010$  unless otherwise noted  
 Maximum make current refers to inrush of a lamp load  
 In 85 degree C ambient reduce maximum coil voltage to 72%

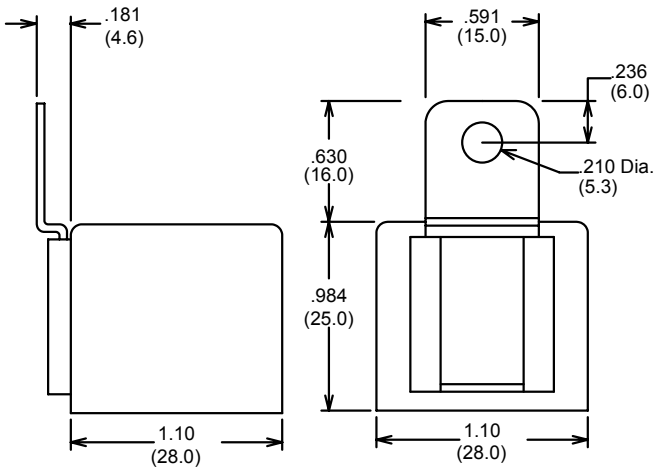


3220 Commander Drive, Suite 102, Carrollton, Texas 75006

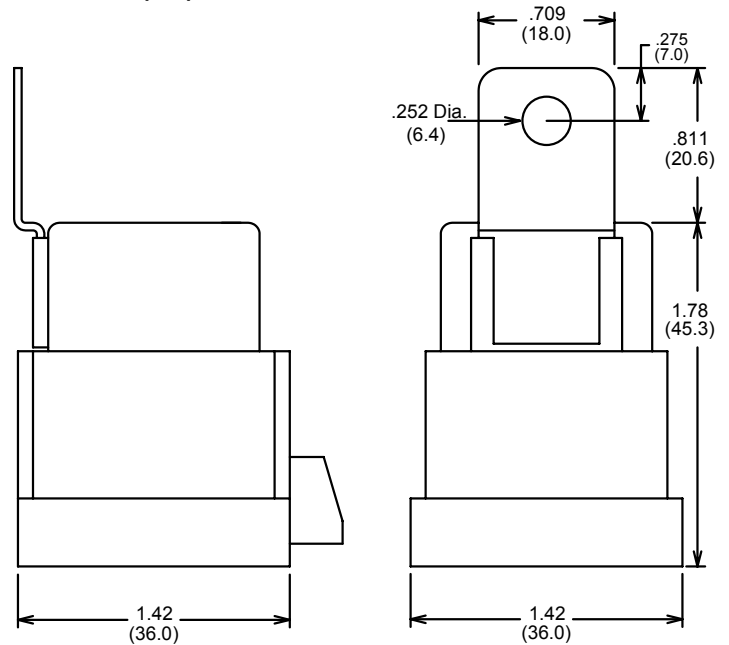
Sales: Call Toll Free (888) 997-3933 Fax (818) 342-5296 email: pickerwest@sbcglobal.net URL: pickercomponents.com



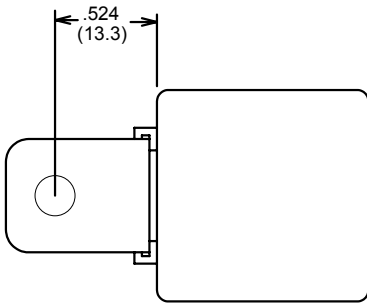
**Molded Plastic Bracket (C1)**



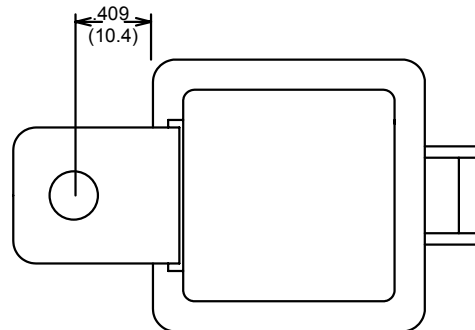
**Metal Bracket (C2)**



**Skirted Case with Metal Bracket (C4)**



**Bent Metal Bracket (C3)**



**Skirted Case with Bent Metal Bracket (C5)**



3220 Commander Drive, Suite 102, Carrollton, Texas 75006

Sales: Call Toll Free (888) 997-3933 Fax (818) 342-5296 email: pickerwest@sbcglobal.net URL: pickercomponents.com