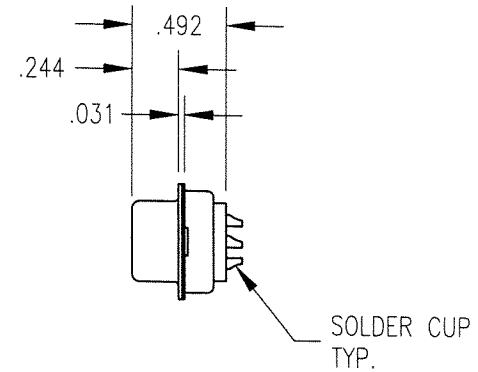
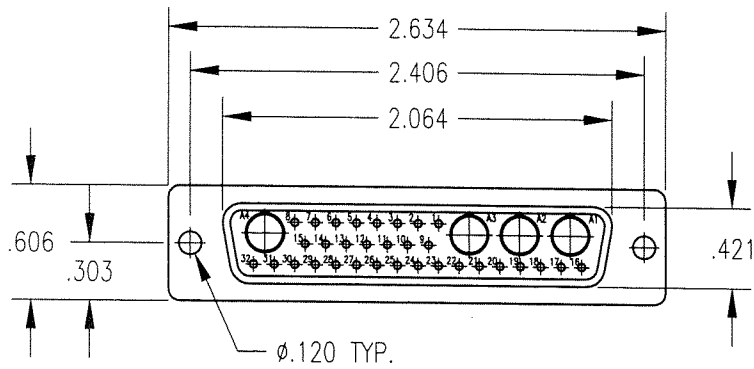
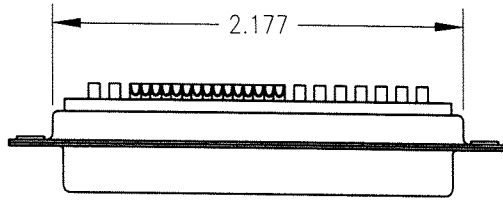


DWC. NO.		RM36W4S-50-TB	
REV	DESCRIPTION	BY DATE	APPD
B	ECR 6567	JWH 10/21/00	JWH 1/17



NOTES:

- MATERIALS:  
SHELL: STEEL PER ASTM A568  
INSULATOR: GLASS FILLED POLYESTER  
SIGNAL CONTACTS: COPPER ALLOY PER ASTM B455
- FINISH:  
SHELL: TIN PLATE PER ASTM B545  
INSULATOR: GREEN  
SIGNAL CONTACTS: .000030 MIN. GOLD PER MIL-G-45204 OVER NICKEL
- CONTACT ARRANGEMENT:  
(32) SIGNAL CONTACTS, SOLDER CUP TYPE (SUPPLIED IN HOUSING)  
(4) COAX OR POWER CONTACTS (NOT SUPPLIED)

PER ASME Y14.5M-1994 UNLESS OTHERWISE SPECIFIED: DIMENSIONS ARE IN INCHES (MM)		<b>Litton</b>	
TOLERANCES: DECIMALS .xx ± .01/0.254 xxx ± .005/0.127 ANGLES ± 2'		Winchester/Retconn 400 Park Road Waterford, Connecticut 06795	
<b>CUSTOMER DRAWING</b>		TITLE 36W4S D-SUB CONNECTOR	
DRAWN JED	DATE 9/5/00	CHECKED JWH	DATE 9/6/00
APPROVED JMC	DATE 9/6/00	APPROVED KJT	DATE 9/6/00
A		RM36W4S-50-TB	SHT. OF REV. 1 1 B